



**ELECTRICAL SHOCK HAZARD**

**READ, UNDERSTAND, and FOLLOW** these instructions before installing the equipment.

### WARNING

Disconnect the Electrical supply power at the service panel (fuse or circuit breaker box). Failure to do so could result in serious injury or death. Only qualified electricians should install this fixture and the installation **MUST** conform to the Electrical Code and all local codes and ordinances. Ensure that only proper tools, materials, and equipment are used to complete the installation.

### SAFETY

- Proper grounding is required to ensure personal safety.
- Fixture should be mounted in locations where unauthorized personnel will not readily subject it to tampering.
- Do not use this equipment for anything other than its intended purpose.
- Servicing this equipment should be performed by qualified service personnel.
- Save these instructions.

## Installation Instructions

### 1. STANDARD PACKAGE

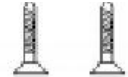
Standard package includes:

- 1 LED fixture
- 1 cable connector
- 1 direct connector
- 2 screws

UCA-LED Fixture



2 Screws



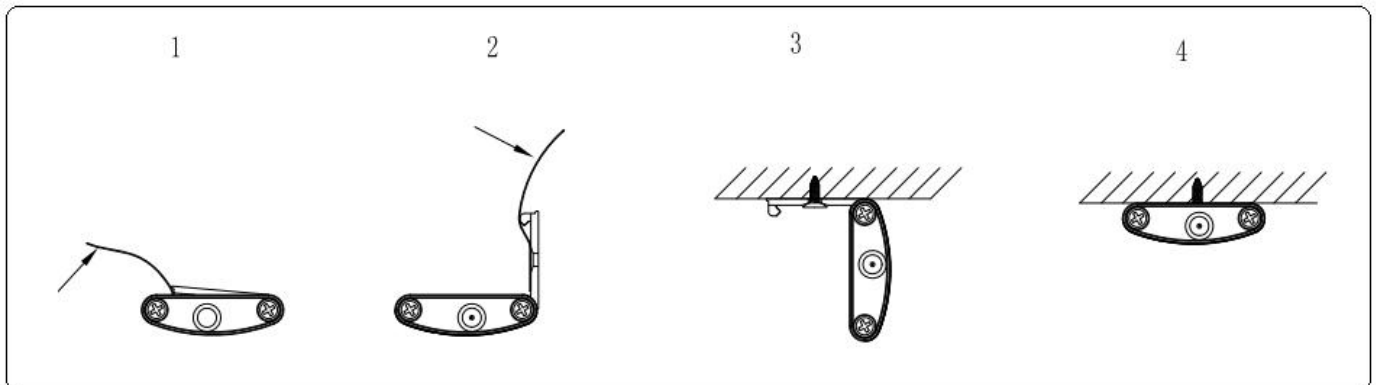
Direct Connector



Cable Connector

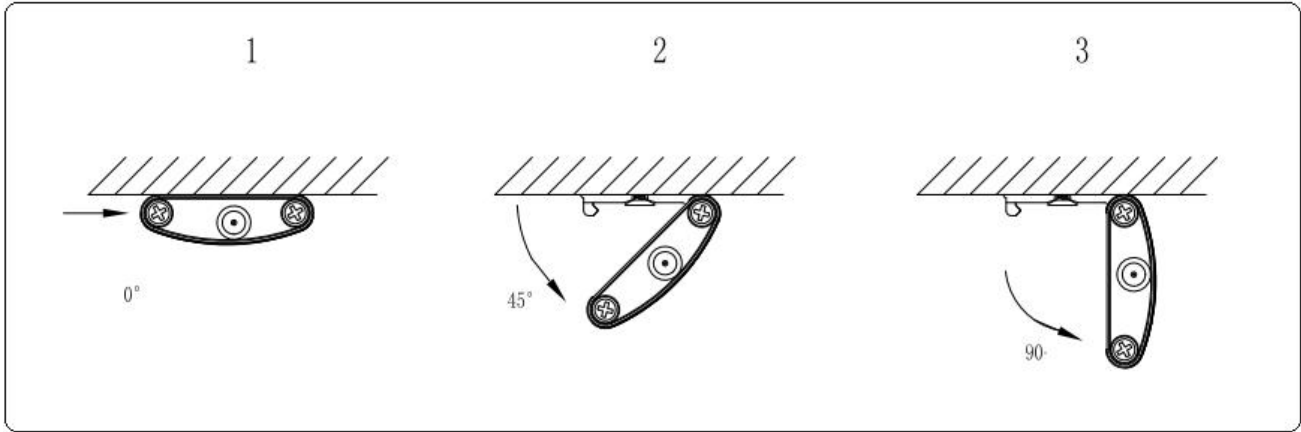


### 2. INSTALLATION OF LED LIGHTS



1. Pull up the blue adhesive tape.
2. The adhesive tape will now rotate the fixture to 90°.
3. Rip the tape and fix the mounting plate with the screws into place.

### 3. ADJUST THE DIRECTION OF LED LIGHT



1. The direction of fixture can be adjusted to 0°, 45° and 90°.
2. Rotate LED light according to the symbol PULL printed on the end cap to 0°, 45° and 90°.
3. The fixture can only be rotated to a maximum of 90°.

## UCA Accessories

### UCA SWITCH CONNECTOR



#### Installation Instruction:

Use In-line switch to connect with LED lights, then connect the power supply to the input side of the In-line switch.

#### Operation:

Press the switch to turn the lights ON or OFF.  
This switch controls all connected lights in the series.


## UCA TOUCH DIMMER



### Installation Instructions:

1. Use In-line Touch Dimmer to plug into the DC jack and secure the dimmer to the mounting surface.
2. Connect the power supply to the input side of the dimmer.

### Operation:

1. Touch the power icon [  ] on the body to dim the lights to desired levels.
2. The initial brightness is fixed at 100% when the system is first powered up.
3. When the light is on, the brightness can be adjusted by touching and holding the power icon for more than 0.5 seconds.
4. If the power to the dimmer is uninterrupted, the light level will be memorized when the system is turned off and then on again.
5. The dimmer switch can control all the connected LED lights in a series.

**Note:** This touch switch cannot control LED lights when using the hardwired dimmable power supply. If you need to control the whole series in one line, please connect the LED lights without the touch dimmer function.

## UCA DC JUNCTION BOX CONNECTOR



If you use the power supply without a DC plug or you need to run 18/2 bell wire behind the drywall, use the DC Junction Box Connector.

### Installation instructions:

1. Open the cover of DC junction box with screw driver.
2. Insert the positive and negative output side of power supply into the positive and negative terminal block and lock the screws of terminal block.
3. Close the cover by fastening the screws.
4. Plug the DC junction box into the DC jack and secure the DC junction box to the mounting surface.
5. Connect the power supply to the input side of the DC junction box.

**Note:** The fixtures will not work if the positive & negative output side between power supply and terminal block is not consistent.

## PIR MOTION SENSOR



### Installation Instructions:

1. Use the sensor to plug into the DC jack and secure the sensor to the mounting surface.
2. Connect the power supply to the input side of the sensor.

### Basic Data:

Detection Distance: 3m

Detection Range: 120°

Installation Angle: 0°, 45°, 90°

Delay time: Standard is 30 seconds and can be adjusted to 2 minutes

### Functional information:

1. Automatic detection: when people enter the detection area, the sensor will output 12V or 24V and the light turns on.
2. Delay function: when people leave the detection area or people stay still, the light will turn off after 30 seconds. Delay time can be adjusted from 30 seconds to 3 minutes.
3. Installation Angle: The sensor can be rotated from 0 to 90 degrees.



## UCA 4/8 WAY SPLITTER



Use the 4/8 WAY SPLITTER to split the load from one power supplying 4/8 runs.

**PLEASE ENSURE THAT YOU LINK A MAXIMUM OF 32 WATTS PER RUN ON ONE POWER SOURCE.**