

Ruggedly designed LED floodlight series available in 5 wattages with various mounting options in a uniformly distributed wide beam.



APPLICATIONS

Ideal for building façades, sign lighting, area lighting, and wall washing in both commercial and industrial applications.

Project	
Type	
Date	
Notes	

SPECIFICATIONS

Construction

Precision die cast aluminum housing with tempered glass lens fastened to the fixture with tamperproof screws. The fixture offers superior heat sinking with air-flow fins on the top and bottom. The driver enclosure is separate from the optics for improved thermal management.

Optics

Unit has a custom built LED array which creates a uniformly distributed wide beam. LEDs have a color temperature of 5000K as standard and an efficacy of 108 lumens/watt. The CRI is greater than 80 and the operating temperature range is -40°C to +40°C. LED life of 100,000 hours.

Electrical

Total system wattage of the unit is 40W. The standard unit has a high efficiency driver that operates at 120 - 277V.

Mounting

Fixture is available with a 1/2" NPT knuckle that mounts to a 4" octagon box (sold separately)

Finish

Standard finish is Bronze.

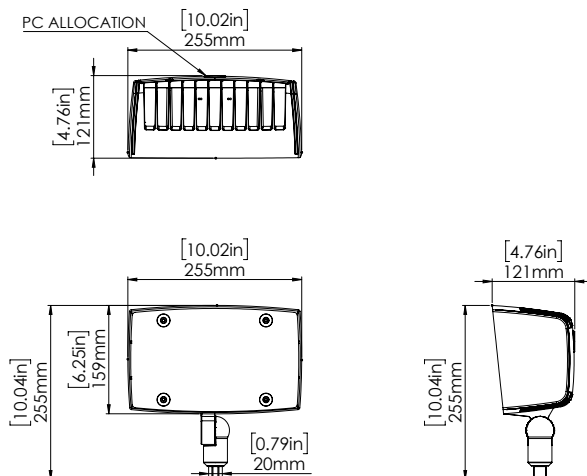
Photocell

Photocell is optional. Fixture has an allocation for the photocell at the back of the housing.

Input Watts	40W
Lumens	4,216
Efficacy	108 lumens per watt

Operating Temperature	-40°C to +40°C
Certification	cULus, IP66, DLC
Warranty	5 Years
Color Temperature	5000K (standard)
LED life	100,000 hours
Voltage	120-277V(standard) 120V, 347-480V, 480V(options)
Mounting	Knuckle
Power Factor	0.92
Total Harmonic Distortion	14.93%
CRI	>80

DIMENSIONS



ORDERING GUIDE

VFL2	LED40		5K	W			KN
		VOLTAGE	COLOR TEMP	BEAM	FINISH	OPTIONS	MOUNTING
		A - 120V B- 120-277V* J - 347-480V L- 480V	5K - 5000K*	W - Wide *	BRZ - BRONZE*	PC - Photocell	KN - Knuckle

* Standard configuration