



VEK3X-LED90

LED Wall Light

SPECIFICATIONS*

Watts	89
Lumens	13093
Efficacy	147
Replaces Up To	400W MH
Color Temp	3K, 4K, 5K*
Operating Temp	-40°C to +40°C
Voltage	120-277*
LED Life	100,000 hours
Housing Material	Die Cast Aluminum
Lens Material	Polycarbonate
Power Factor	0.9337
Total Harmonic Distortion	18.33%



DESCRIPTION

The VEKX is an LED wall light designed for superior performance, easy one-man installation and has many options for lighting controls, surge protection, paint finish, voltage and color temperature.

APPLICATIONS



Perimeter
Lighting



Landscape
Lighting



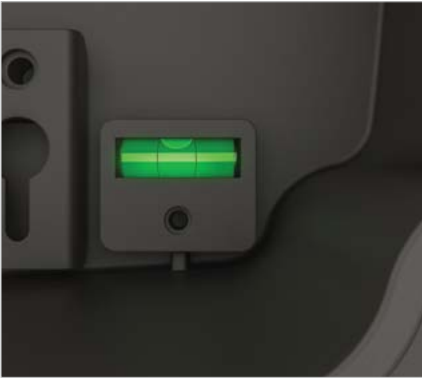
Architectural
Applications

FEATURES

- Adjustable head to direct light where needed
- High performance wall light with efficacy of 147 lumens/watt
- Type 3 optics for wide beam is standard. Type 4 optics for forward throw is an option.
- Fixture has been designed with easy mounting features for one man installation.
- Large back box allows for optional dimming motion sensor, on/off sensor, and 10kV surge protection.
- Electronic photocell is standard. It works for all voltages in the 120 – 277V range.

*The above specs apply to the standard product configuration - VEK3X-LED90, 120-277V, 4K, T3. For spec information on other product configurations please see page 4. **NOTE:** Not all of our product configurations are qualified on the DLC QPL. To view all of our DLC qualified products please visit the DLC qualified products list at www.designlights.org/qpl.

EASY ONE MAN INSTALLATION



Level bubble for easy alignment

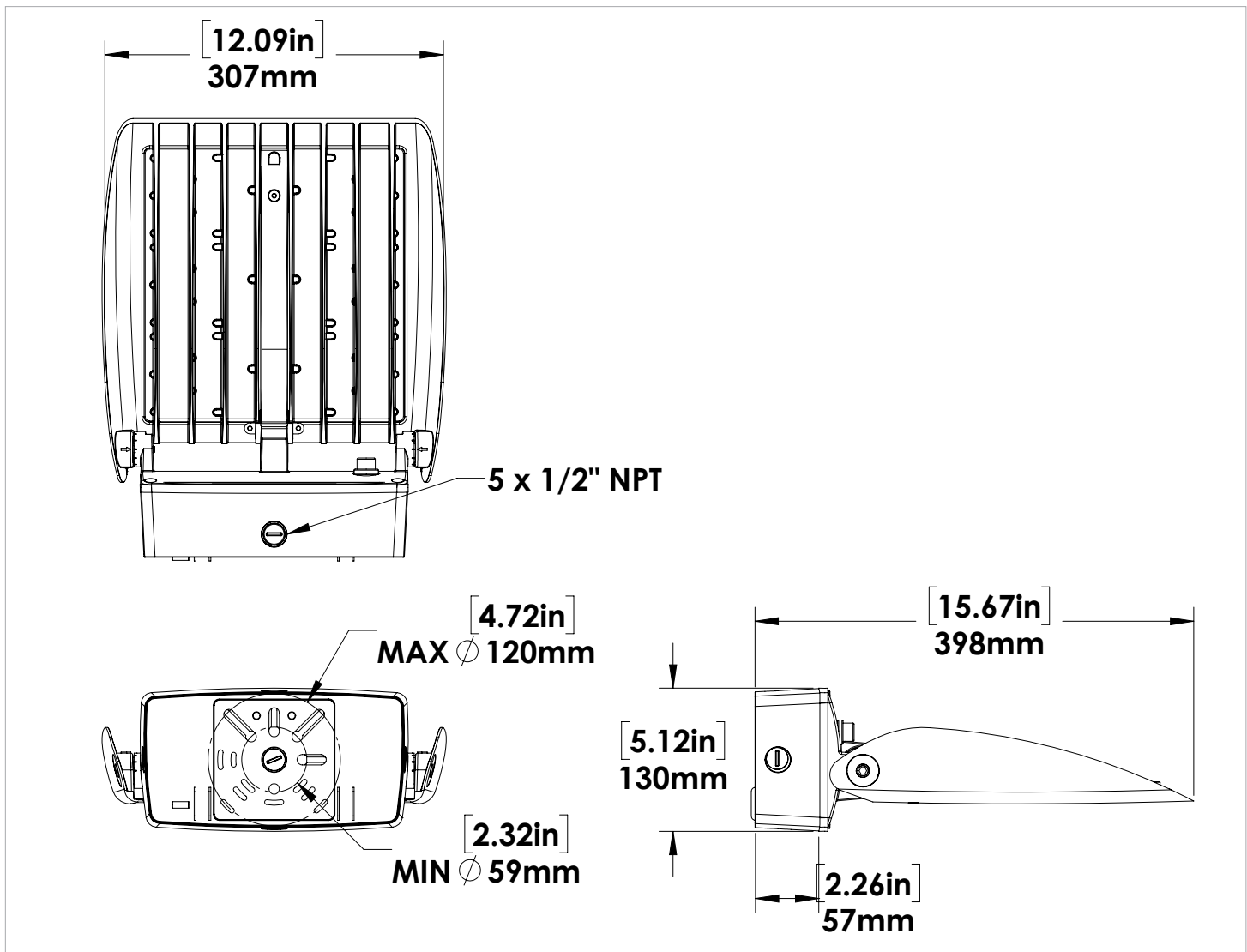


Aircraft cable goes into keyholes allowing installer to use both hands for wiring.



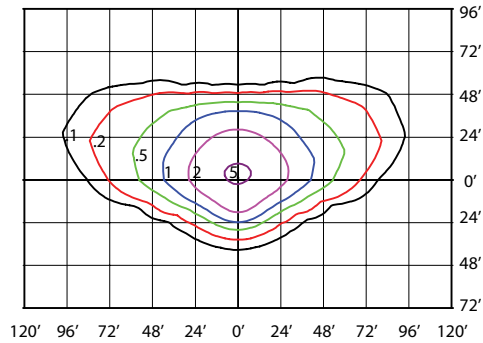
Fixture head has guide tabs that slide into the channel and lock it in place. goes into keyholes allowing installer to use both hands for wiring.

DIMENSIONS

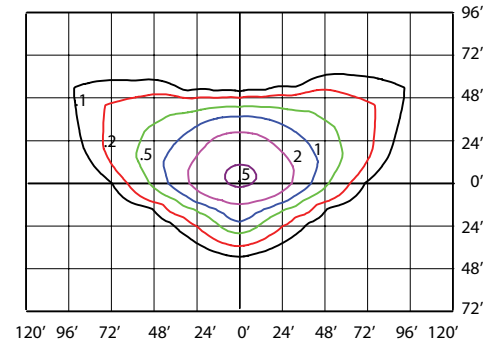


PHOTOMETRICS

**VEK3X-LED90 4K TYPE III
24 FOOT MOUNTING**



**VEK3X-LED90 4K TYPE IV
24 FOOT MOUNTING**



BUILT IN SURGE PROTECTION

FITTURE	VOLTAGE	DRIVE SURGE PROTECTION
VEK3X-LED90-B	120-277V	6KV

OTHER MODEL SPECIFICATIONS

MODEL DESCRIPTION	VOLTAGE (V)	INPUT POWER (W)	LIGHT OUTPUT	EFFICACY (Lm/W)	PF	THD	CCT (K)	CRI
VEK3X-LED90-B-3K-T3-XXX-DIM-XX	120-277V	88.81	13320	149.98	18.43	0.9333	3000	73
VEK3X-LED90-B-3K-T4-XXX-DIM-XX	120-277V	88.88	13093	147.31	18.33	0.9337	3000	73.4
VEK3X-LED90-B-4K-T3-XXX-DIM-XX	120-277V	89.91	13560	150.82	18.63	0.9337	4000	73.1
VEK3X-LED90-B-4K-T4-XXX-DIM-XX	120-277V	89.44	13255	148.2	18.95	0.9331	4000	73.3
VEK3X-LED90-B-5K-T3-XXX-DIM-XX	120-277V	89.96	13646	151.69	19.15	0.9328	5000	72.5
VEK3X-LED90-B-5K-T4-XXX-DIM-XX	120-277V	89.36	13331	149.18	19.14	0.9342	5000	73

LEGEND

- B - 120V-277V
- 3K - 3000K, 4K - 4000K, 5K - 5000K
- T3 - TYPE 3 BEAM, T4 - TYPE 4 BEAM
- XXX - HOUSING FINISH
- DIM - DIMMABLE
- XX - PHOTOCELL

ORDERING GUIDE



WATTS	VOLTAGE	COLOR TEMP.	BEAM	FINISH	DRIVER	PHOTOCELL	OPTIONS
LED90	B - 120 - 277V*	3K - 3000K	T3 - TYPE 3*	BRZ - BRONZE*	DIM - DIM-0-10V DIMMING*	PC - PHOTOCELL*	DMS - DIMMING MOTION SENSOR**
		4K - 4000K*	T4 - TYPE 4	WHT - WHITE*			SMS - ON/OFF SENSOR**
		5K - 5000K		BLK - BLACK*			
				CC - CUSTOM COLOR			SP - 10 KV SURGE PROTECTION

*Standard Configuration.

** Photocell is disconnected when used with sensor