



SQJ-LED45

Square Canopy Light



SPECIFICATIONS*

Watts	44
Lumens	4,948
Efficacy	112
Replaces Up To	100W MH
Color Temp	4,000K
Operating Temp	-40°C to +40°C
Voltage	120-277, 480
LED Life	100,000 hours
Housing Material	Die Cast Aluminum
Lens Material	Polycarbonate
Power Factor	0.92
Total Harmonic Distortion	10.52%



DESCRIPTION

Rugged, high efficiency, easy to install canopy fixture that can be surface or pendant mounted. 0 - 10V dimming is standard with High Frequency Motion Sensor available as an option.

APPLICATIONS



Entrances



Canopies



Garages



Stairwells

FEATURES

- IP65 rated canopy fixture for wet locations.
- Fixture has polycarbonate diffuser lens to eliminate glare.
- Fixture has 4 x 1/2" NPT conduit entries on each side.
- Pendant mount option available with 3/4" NPT opening at the back of the fixture.

*The above specs apply to the standard product configuration - SQJ-LED45, 120-277V, 4K. For spec information on other product configurations please see page 2. **NOTE:** Not all of our product configurations are qualified on the DLC QPL. To view all of our DLC qualified products please visit the DLC qualified products list at www.designlights.org/qpl.

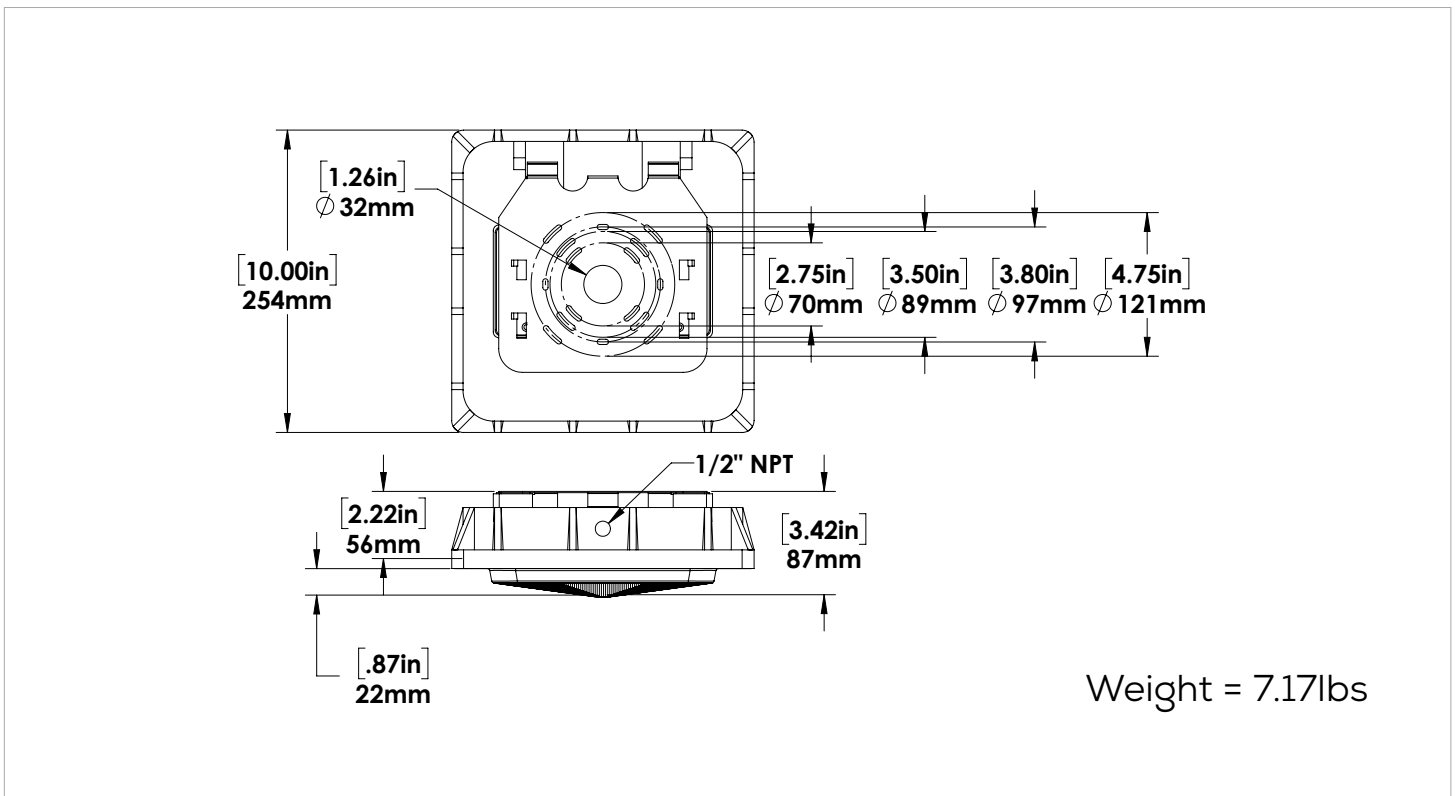
OTHER MODEL SPECIFICATIONS

MODEL DESCRIPTION	VOLTAGE (V)	INPUT POWER (W)	LIGHT OUTPUT	EFFICACY (Lm/W)	PF	THD
SQJ-LED45-B-4K-XXX-DIM	120-277	44.31	44.31	111.67	0.92	10.52
SQJ-LED45-L-4K-XXX-DIM	480	37.39	37.39	114.77	0.95	9.12

LEGEND

B - 120V-277V, L - 480V
 4K - 4000K
 XXX - HOUSING FINISH
 DIM - DIMMABLE

DIMENSIONS



MOUNTING OPTIONS



Pendant Mount
Optional

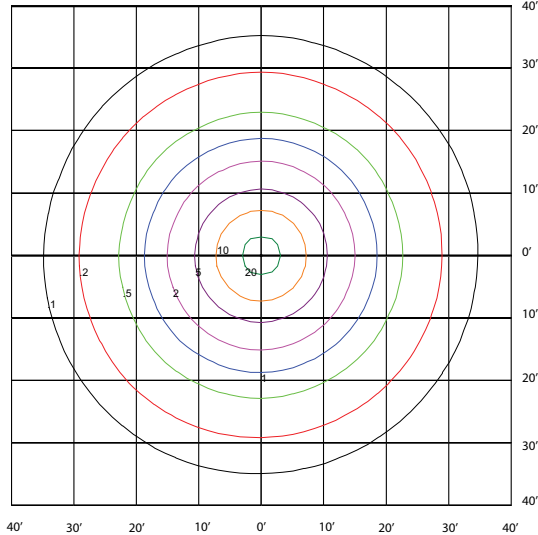
INSTALLATION



Easy Hanging Hinge
Allows for one man installation.

PHOTOMETRICS

**SQJ-LED45-B-4K-DIM-BRZ
MOUNTING HEIGHT 8 FEET**



COEFFICIENTS OF UTILIZATION - ZONAL CAVITY METHOD

Effective Floor Cavity Reflectance 0.20

RC	80	70	50	30	10	0
RW	70 50 30 10	70 50 30 10	50 30 10	50 30 10	50 30 10	0
0	119 119 119 119	116 116 116 116	111 111 111	106 106 106	102 102 102	100
1	108 103 99 95	105 101 97 93	97 93 90	93 90 87	89 87 85	82
2	98 90 83 77	96 88 82 76	84 79 74	81 76 72	78 74 71	69
3	90 79 71 64	87 77 70 63	74 68 62	71 66 61	69 64 60	58
4	82 70 61 54	80 69 60 54	66 59 53	64 57 52	61 56 52	49
5	75 63 53 47	73 61 53 46	59 52 46	57 51 45	55 49 45	43
6	70 56 47 41	68 55 47 41	53 46 40	52 45 40	50 44 39	37
7	65 51 42 36	63 50 42 36	49 41 36	47 40 35	46 40 35	33
8	60 47 38 32	59 46 38 32	45 37 32	43 37 32	42 36 31	29
9	56 43 35 29	55 42 34 29	41 34 29	40 33 28	39 33 28	26
10	53 39 32 26	51 39 31 26	38 31 26	37 30 26	36 30 26	24

ZONAL LUMEN SUMMARY

Zone	Lumens	%Lamp	%Fixt
0-20	637.26	N.A.	12.90
0-30	1344.45	N.A.	27.20
0-40	2196.55	N.A.	44.40
0-60	3855.36	N.A.	77.90
0-80	4771.19	N.A.	96.40
0-90	4930.47	N.A.	99.60
10-90	4765.09	N.A.	96.30
20-40	1559.29	N.A.	31.50
20-50	2439.72	N.A.	49.30
40-70	2234.13	N.A.	45.20
60-80	915.83	N.A.	18.50
70-80	340.51	N.A.	6.90
80-90	159.28	N.A.	3.20
90-110	11.59	N.A.	0.20
90-120	12.44	N.A.	0.30
90-130	13.53	N.A.	0.30
90-150	15.84	N.A.	0.30
90-180	17.73	N.A.	0.40
110-180	6.14	N.A.	0.10
0-180	4948.2	N.A.	100.00

Total Luminaire Efficiency = N.A.%

ZONAL LUMEN SUMMARY

Zone	Lumens
0-10	165.38
10-20	471.88
20-30	707.19
30-40	852.10
40-50	880.43
50-60	778.38
60-70	575.32
70-80	340.51
80-90	159.28
90-100	7.69
100-110	3.90
110-120	0.85
120-130	1.09
130-140	1.18
140-150	1.13
150-160	0.96
160-170	0.66
170-180	0.27

[LUMINAIRE] SQJ-LED45-B-4K-DIM-BRZ

[LUMCAT] SQJ-LED45-B-4K-DIM-BRZ

[OTHER]

[OTHER]	Gamma(deg)	Fz(lm)	Ft(lm)	%Lum	%Lamp
[OTHER]	0- 10	165.38	165.38	3.34	3.34
[OTHER]	10- 20	471.87	637.26	12.88	12.88
[OTHER]	20- 30	707.19	1344.45	27.17	27.17
[OTHER]	30- 40	852.11	2196.55	44.39	44.39
[OTHER]	40- 50	880.43	3076.98	62.18	62.18
[OTHER]	50- 60	778.37	3855.35	77.91	77.91
[OTHER]	60- 70	575.31	4430.66	89.54	89.54
[OTHER]	70- 80	340.51	4771.17	96.42	96.42
[OTHER]	80- 90	159.28	4930.45	99.64	99.64
[OTHER]	90-100	7.69	4938.14	99.80	99.80
[OTHER]	100-110	3.90	4942.05	99.88	99.88
[OTHER]	110-120	0.85	4942.90	99.89	99.89
[OTHER]	120-130	1.09	4943.99	99.92	99.92
[OTHER]	130-140	1.18	4945.18	99.94	99.94
[OTHER]	140-150	1.13	4946.30	99.96	99.96
[OTHER]	150-160	0.96	4947.26	99.98	99.98
[OTHER]	160-170	0.66	4947.92	99.99	99.99
[OTHER]	170-180	0.27	4948.19	100.00	100.00
[OTHER]					

ORDERING GUIDE

SQJ					
WATTS	VOLTAGE	COLOR TEMP.	FINISH	DRIVER	OPTIONS
LED45	B - 120 - 277V* L - 480V	4K - 4000K*	BRZ - BRONZE*	DIM - DIM-0-10V DIMMING*	DHFS - DIMMING HIGH FREQUENCY SENSOR PMxx - PENDANT MOUNT

*Standard Configuration.

(xx = Specify Pendant Pipe Length)