



ORBITA-LED80

LED Area Light



SPECIFICATIONS*

Watts	84.89W
Lumens	10399
Efficacy	122.5 lm/W
Replaces Up To	W MH
Color Temp	4,000K, 5,000K
Certification	cULus, DLC
Operating Temp	-40°C to +40°C
Voltage	120-277V, 480V
LED Life	100,000 hours
Housing Material	Aluminum
Lens Material	Polycarbonate
Total Harmonic Distortion	11.91
Power Factor	0.917



DESCRIPTION

The ORBITA-LED is a sleek, modern architectural area light available in three different tops - Flat, Hemisphere and Grand.

APPLICATIONS



Parking Lots



Pathways

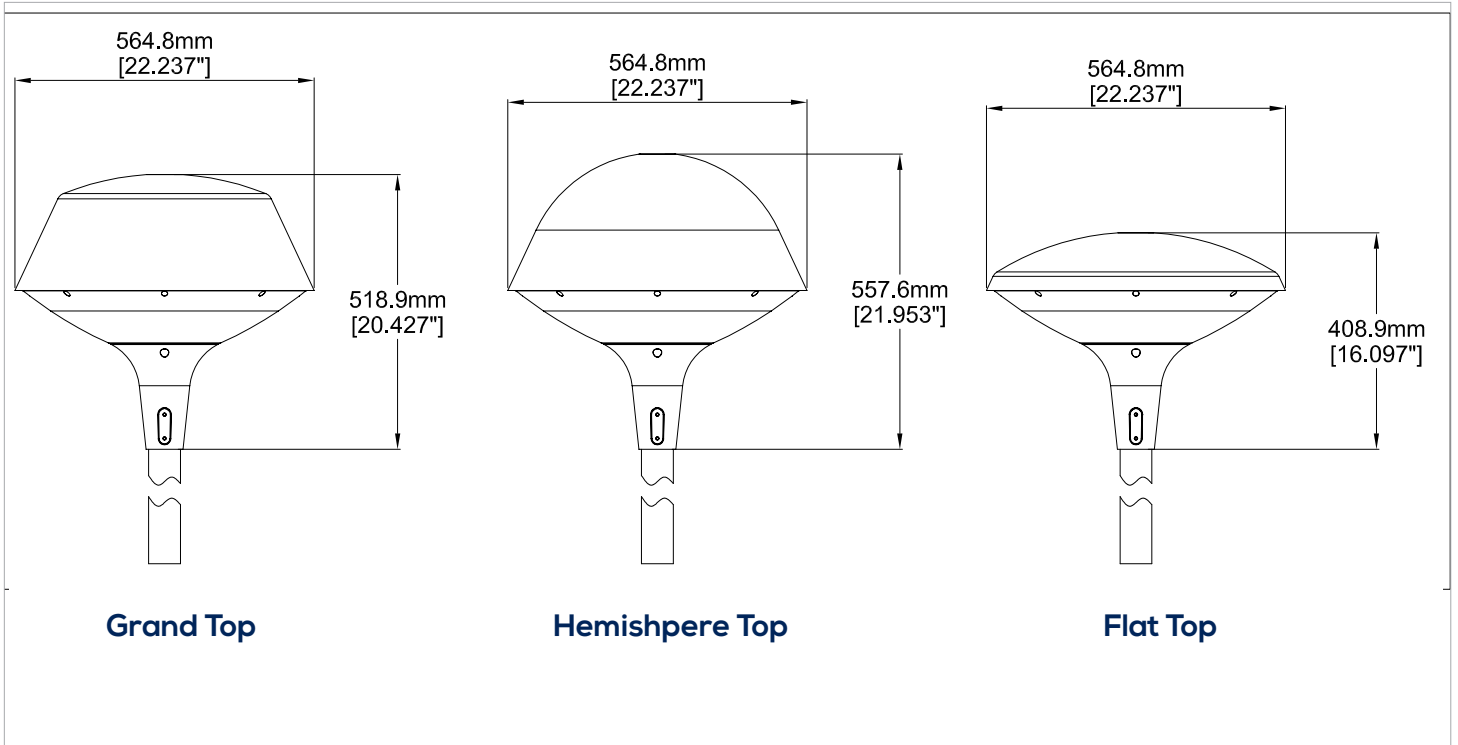


Area
Lighting

FEATURES

- Three unique tops to choose from
- Available in custom finishes for a unique look
- Type 5 beam distribution is standard.

DIMENSIONS



SPECIFICATIONS

MODEL DESCRIPTION	VOLTAGE (V)	INPUT POWER	LIGHT OUTPUT	EFFICACY (Lm/W)	THD	PF	CCT	CRI
ORBITA-XX-LED80-B-4K-T5-XXX-DIM	120-277	84.89	10399	122.5	11.91	0.917	4000	80
ORBITA-XX-LED80-B-4K-T5-XXX	120-277	84.89	10399	122.5	11.91	0.917	4000	80
ORBITA-XX-LED80-L-4K-T5-XXX-DIM	480	83.13	10213	122.86	10.37	0.9209	4000	80
ORBITA-XX-LED80-L-4K-T5-XXX	480	83.13	10213	122.86	10.37	0.9209	4000	80
ORBITA-XX-LED80-B-5K-T5-XXX-DIM	120-277	84.97	10805	127.16	11.86	0.9167	5000	80
ORBITA-XX-LED80-B-5K-T5-XXX	120-277	84.97	10805	127.16	11.86	0.9167	5000	80
ORBITA-XX-LED80-L-5K-T5-XXX-DIM	480	83.22	10579	127.12	10.32	0.9229	5000	80
ORBITA-XX-LED80-L-5K-T5-XXX	480	83.22	10579	127.12	10.32	0.9229	5000	80

Legend

B - 120-277V, L - 480V
 4K - 4000K, 5K - 5000K
 XXX- Finish
 XX- Mounting

ORDERING GUIDE

ORBITA						
	TOP	WATTAGE	VOLTAGE	COLOR TEMP.	FINISH	OPTIONS
	FL - FLAT	LED 80	B - 120 - 277V*	4K - 4000K*	GRY - GREY*	PC - PHOTOCELL
	HS- HEMISPHERE		L - 480V	5K - 5000K	CC - CUSTOM COLOR	
	GR - GRAND					

* Standard configuration