



# ORBITA-LED40

## LED Area Light



### SPECIFICATIONS\*

Watts	40.98W
Lumens	5606.7
Efficacy	136.82lm/W
Color Temp	4,000K, 5,000K
Certification	cULus, DLC
Operating Temp	-40°C to +40°C
Voltage	120-277V, 480V
LED Life	100,000 hours
Housing Material	Aluminum
Lens Material	Polycarbonate
Total Harmonic Distortion	17.61
Power Factor	0.9141



## DESCRIPTION

The ORBITA-LED is a sleek, modern architectural area light available in three different tops - Flat, Hemisphere and Grand.

## APPLICATIONS



Parking Lots



Pathways

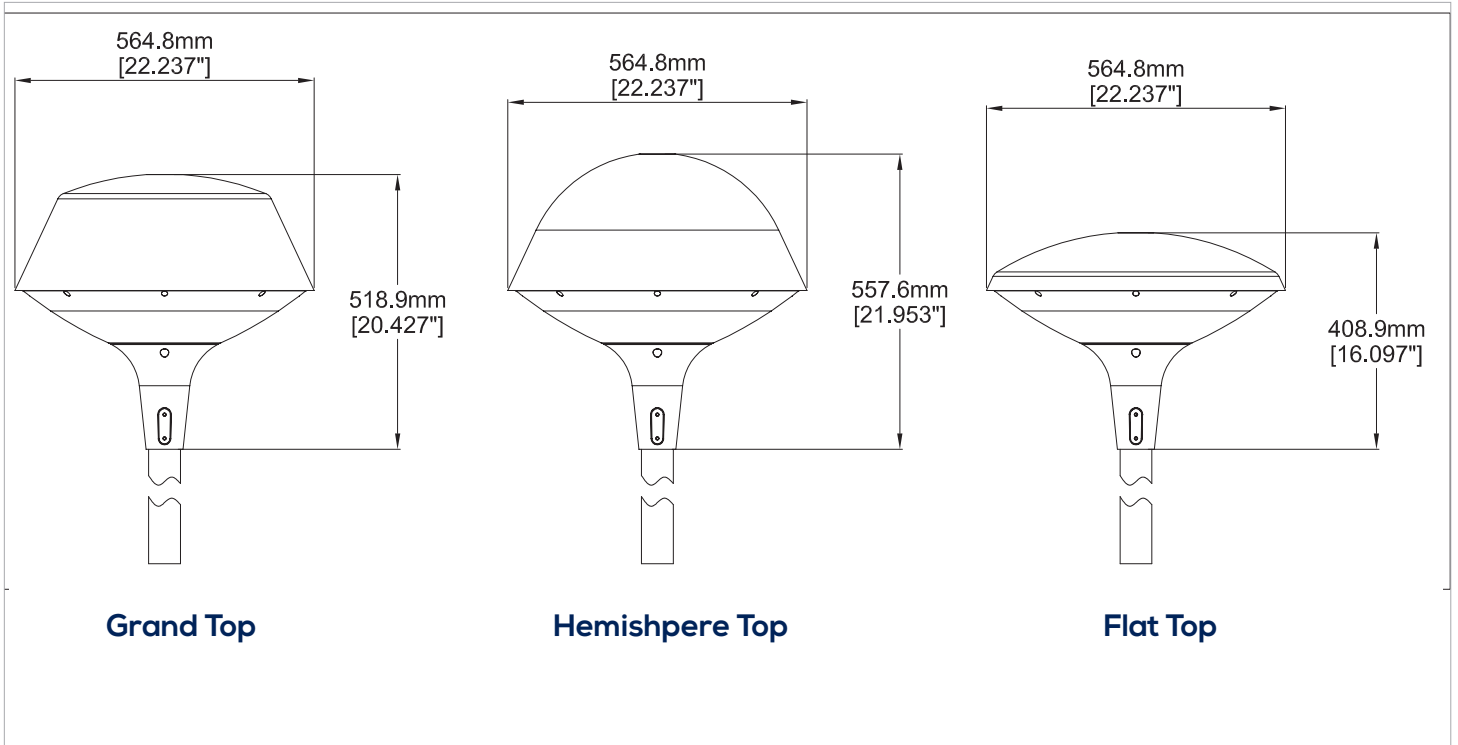


Area  
Lighting

## FEATURES

- Three unique tops to choose from
- Available in custom finishes for a unique look
- Type 5 beam distribution is standard.

## DIMENSIONS



## SPECIFICATIONS

MODEL DESCRIPTION	VOLTAGE (V)	INPUT POWER	LIGHT OUTPUT	EFFICACY (Lm/W)	THD	PF	CCT	CRI
ORBITA-XX-LED40-B-4K-T5-XXX-DIM	120-277	41.01	5535.9	134.99	16.81	0.9059	4000	80
ORBITA-XX-LED40-B-4K-T5-XXX	120-277	40.98	5606.7	136.82	17.61	0.9141	4000	80
ORBITA-XX-LED40-L-4K-T5-XXX-DIM	480	41.15	5372.5	130.56	13.38	0.9095	4000	80
ORBITA-XX-LED40-L-4K-T5-XXX	480	41.15	5372.5	130.56	13.38	0.9095	4000	80
ORBITA-XX-LED40-B-5K-T5-XXX-DIM	120-277	40.85	5655.6	138.45	16.89	0.9082	5000	80
ORBITA-XX-LED40-B-5K-T5-XXX	120-277	40.98	5606.7	136.82	17.61	0.9141	5000	80
ORBITA-XX-LED40-L-5K-T5-XXX-DIM	480	41.22	5632.2	136.64	13.34	0.9007	5000	80
ORBITA-XX-LED40-L-5K-T5-XXX	480	41.22	5632.2	136.64	13.34	0.9007	5000	80

### Legend

B - 120-277V, L - 480V  
 4K - 4000K, 5K - 5000K  
 XXX- Finish  
 XX- Mounting

## ORDERING GUIDE

ORBITA						
TOP	WATTAGE	VOLTAGE	COLOR TEMP.	FINISH	OPTIONS	
FL - FLAT	LED 40	B - 120 - 277V*	4K - 4000K*	GRY - GREY*	PC - PHOTOCELL	
HS- HEMISPHERE		L - 480V	5K - 5000K	CC - CUSTOM COLOR		
GR - GRAND						

\* Standard configuration