

The Nite Hawk is ideal for rough service applications such as stairwells, tunnels and maintenance areas with low ceilings, particularly in the mining industry.



APPLICATIONS

Ideal for rough service applications, tunnels, maintenance areas, and mining applications.

Project	
Type	
Date	
Notes	

SPECIFICATIONS

Construction

Die-cast aluminum alloy (LM6M). The housing has a 1/2" threaded entry on both ends of the luminaire. One entry is plugged.

Frame Assembly

The lens frame is a die-cast aluminum alloy with a continuous neoprene gasket. The lens is secured by four corner brackets and is sealed to the lens frame with a gasket. A stainless steel pin hinges the lens frame assembly to the housing, while a captive stainless steel screw secures the other end.

Optical Assembly

The aluminum reflector design, combined with the prismatic borosilicate lens, provides a precise and efficient optical performance.

LED Configuration

Two LED arrays, each with 6 Cree LEDs, 2,089 lumens out of the fixture, 3700k, CRI > 70. LEDs operating temperature is -40°C to 40°C.

Driver

Fixture has an integrated driver operating at 120-277 volts. Total power consumed is 20 watts.

Options

Wireguard, Polycarbonate lens

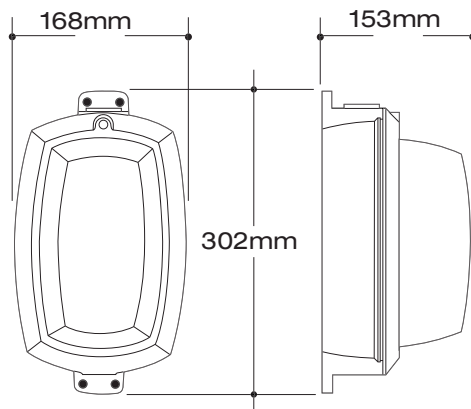
Finish

Standard finish is black.

Equivalent to	50W MH
Fixture Watts	20W
Lumens	2,089
Efficacy	104 lumens/watt

Rated Life	100,000 hours
Color Temperature	3,700K (standard)
Warranty	5 Years
Operating temperature	-40°C to +40°C

DIMENSIONS



FIXING POINTS : 4 X 8mm dia. holes on 280 x 32mm centres



ORDERING GUIDE

NTH	-	LED20	-	B	-	3.7K	-	BLK	-	
				VOLTAGE		COLOR TEMP		FINISH		OPTIONS
				B - 120-277V*		3.7K - 3700K*		BLK- BLACK*		WG - Wireguard PCL - Polycarbonate Lens

* Standard configuration