

The GFL is a rugged cast aluminum LED flood which delivers 1700 lumens. The fixture has a 1/2" NPT knuckle and comes complete with a round mounting cover plate for standard 4" junction boxes.



### APPLICATIONS

Ideal for doorways, entrances, sign and landscape lighting.

<b>Project</b>	
<b>Type</b>	
<b>Date</b>	
<b>Notes</b>	

### SPECIFICATIONS

#### Construction

Precision die cast aluminum with 1/2" NPT locking swivel arm. Housing and arm have a powder coat paint finish. Heat and impact resistant, tempered clear glass lens.

#### Mounting

The GFL has a 1/2" NPT swivel arm with mounting plate. The fixture can be wall or ceiling mounted. It can also be combined with various arms as a sign light.

#### Finish

Powder coat paint finish. Standard colour is bronze. Custom colors are available.

#### LED Configuration

54 LEDs, 2,603 lumens, 5000K.

#### Electrical

Total system wattage of the unit is 20W. The standard unit has a high efficiency driver that operates at 120-277 volts

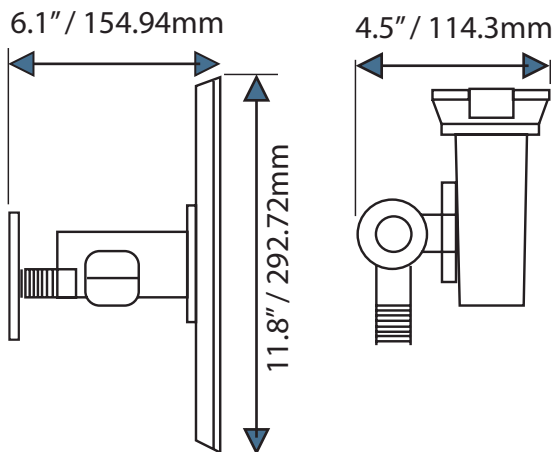
#### Accessories

Wall mounted arms.

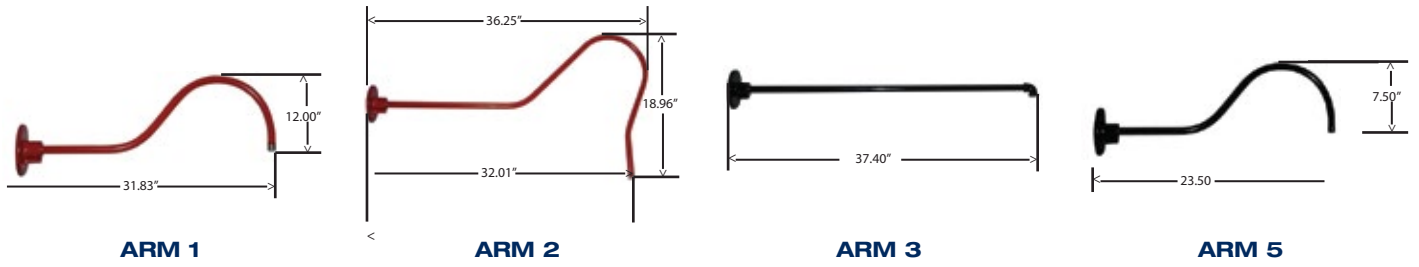
<b>Fixture Watts</b>	<b>20W</b>
<b>Lumens</b>	<b>2,603</b>
<b>Efficacy</b>	<b>133 lumens/watt</b>

<b>Rated Life</b>	<b>100,000 hours</b>
<b>Certification</b>	<b>cULus, DLC</b>
<b>Color Temperature</b>	<b>5000K (standard)</b>
<b>Warranty</b>	<b>5 Years</b>
<b>Beam Pattern</b>	<b>NEMA 7Hx7V</b>
<b>Operating Temperature</b>	<b>-40°C to +40°C</b>
<b>CCT</b>	<b>&gt;70</b>
<b>Total Harmonic Distortion</b>	<b>11.78%</b>
<b>Power Factor</b>	<b>0.9</b>

### DIMENSIONS



ACCESSORIES



SOLD SEPARATLY

ORDERING GUIDE

<b>GFL</b>	-	<b>LED20</b>	-	-	-	-
		<b>VOLTAGE</b>			<b>COLOR TEMP</b>	<b>FINISH</b>
		<b>B - 120-277V*</b>			<b>5K - 5000K*</b>	<b>BRZ- BRONZE*</b> <b>CC - CUSTOM FINISH</b>

\* Standard configuration