

The CLB2-LED40 is a high efficiency canopy light that replaces a comparable 150W MH fixture. Its efficient heat sink design allows a temperature range of -40°C to +40°C making it ideal for a wide variety of residential, commercial and industrial applications.



### APPLICATIONS

**Ideal for lighting covered walkways, building entrances and parking garages.**

<b>Project</b>	
<b>Type</b>	
<b>Date</b>	
<b>Notes</b>	

### SPECIFICATIONS

#### Construction

The CLB2-40 housing is made from die cast aluminum and has a frosted polycarbonate lens. The unit has air flow openings around the perimeter for efficient heat sinking. The fixture has three conduit entries, one on either side and one on the back.

#### Mounting

The fixture is ceiling /wall mounted and can be directly mounted on to standard junction boxes. There is a hanging hook assembly that allows easy installation. Once the back plate is installed, the quick hanging hook feature frees up both hands while wiring and making connections.

#### LED Configuration

Each fixture contains one high efficiency Chip on Board (COB) that delivers a total lumen output of over 4,472 lumens at an efficacy of minimum 110 lumens/watt. This serves as an ideal replacement for a 150W MH fixture. 5000K color temperature is standard. 3000K and 4000K available as options.

#### Electrical

Total system wattage of the unit is 42W. The standard unit has a high efficiency driver that operates at 120 - 277V. 347V available as an option.

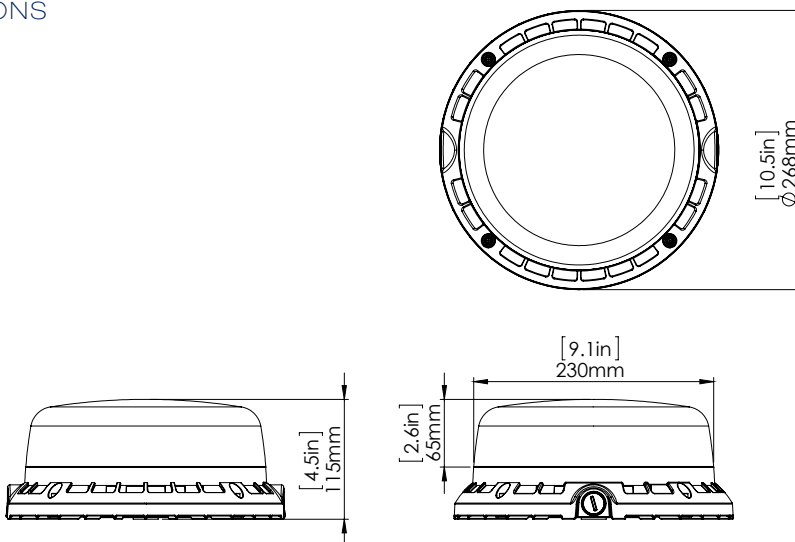
#### Finish

Bronze finish is standard. Custom colors available.

<b>Fixture Watts</b>	<b>42W</b>
<b>Lumens</b>	<b>min. 4,472 lumens</b>
<b>Efficiency</b>	<b>min 110 lumens/watt</b>

<b>Rated Life</b>	<b>100,000 hours</b>
<b>Certification</b>	<b>cULus</b>
<b>LED Life</b>	<b>100,000 hours</b>
<b>Color Temperature</b>	<b>5000K (standard) 4000K (option) 3000K option)</b>
<b>Warranty</b>	<b>5 Years</b>
<b>Operating temperature</b>	<b>-40° C to +40° C</b>

### DIMENSIONS



CLB2-LED40  
with Wire guard



INSTALLATION INFORMATION

1. Separate mounting plate from fixture by removing the screw. Attach mounting plate to the junction box.



2. Rest fixture onto hinges and connect wires



3. Reattach fixture to the mounting plate.



ORDERING GUIDE

<b>CLB2</b>	-	<b>40</b>	-		-		-		-	
		<b>VOLTAGE</b>		<b>COLOR TEMP</b>		<b>FINISH</b>		<b>LENS</b>		<b>OPTIONS</b>
		<b>B - 120 - 277V*</b> <b>C - 347V</b>		<b>5K - 5000K*</b> <b>4K - 4000K</b> <b>3K - 3000</b>		<b>BRZ - BRONZE*</b> <b>CC - Custom Color</b>		<b>FR - FROSTED LENS*</b>		<b>WG - WIREGUARD</b>

\* Standard configuration