



# BL1-LED40

LED Barn/Area Light

## SPECIFICATIONS\*

Watts	36.75
Lumens	4659.95
Efficacy	126.8
Replaces Up To	150W MH
Color Temp	5,000K,
Certification	cULus, DLC Premium
Operating Temp	-40°C to +40°C
Voltage	120-277*
LED Life	50,000 hours
Housing Material	Die Cast Aluminum
Lens Material	Polycarbonate
Finish	Gray
CRI	84
Options	90° anodized aluminum arm for mounting on wall/poles Clear or Frosted
Photocell	Included in package

\*Standard



## DESCRIPTION

The BL-LED fixture series is a high efficacy, DLC Premium barn/area light ideal for security lighting, industrial yards, farms and barns.

## APPLICATIONS



Barns



Security Lighting

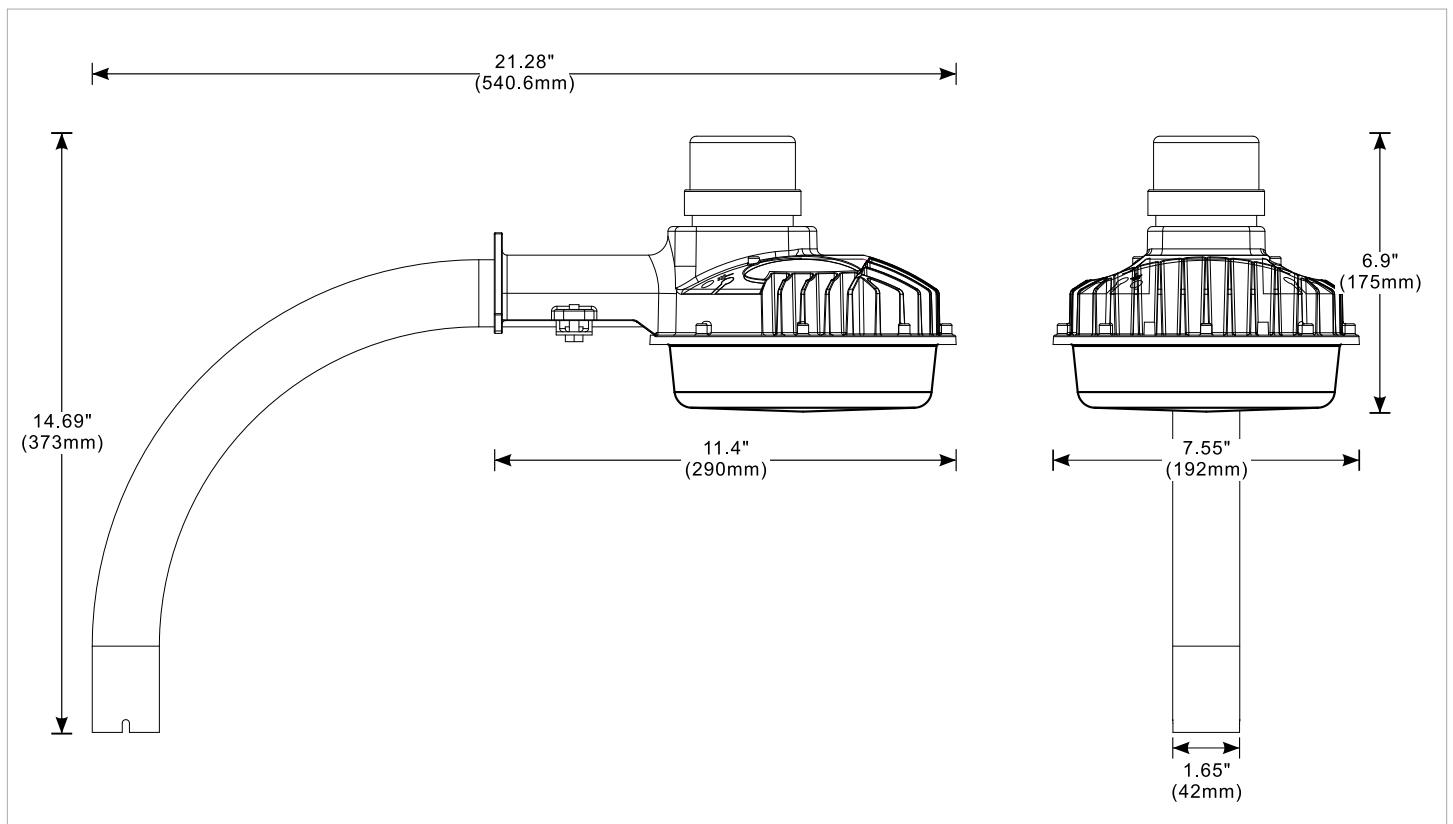
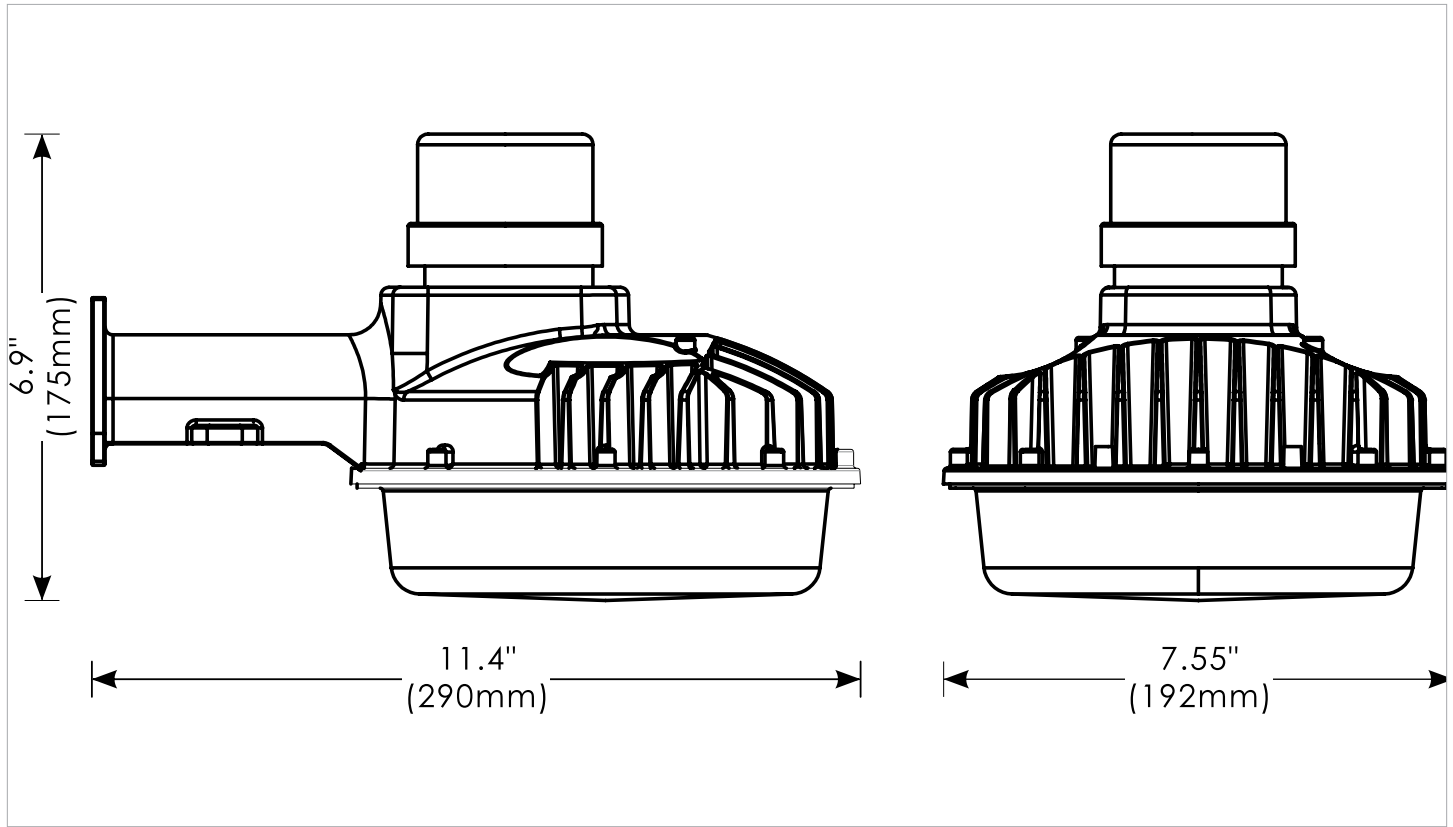


Industrial Yards

## FEATURES

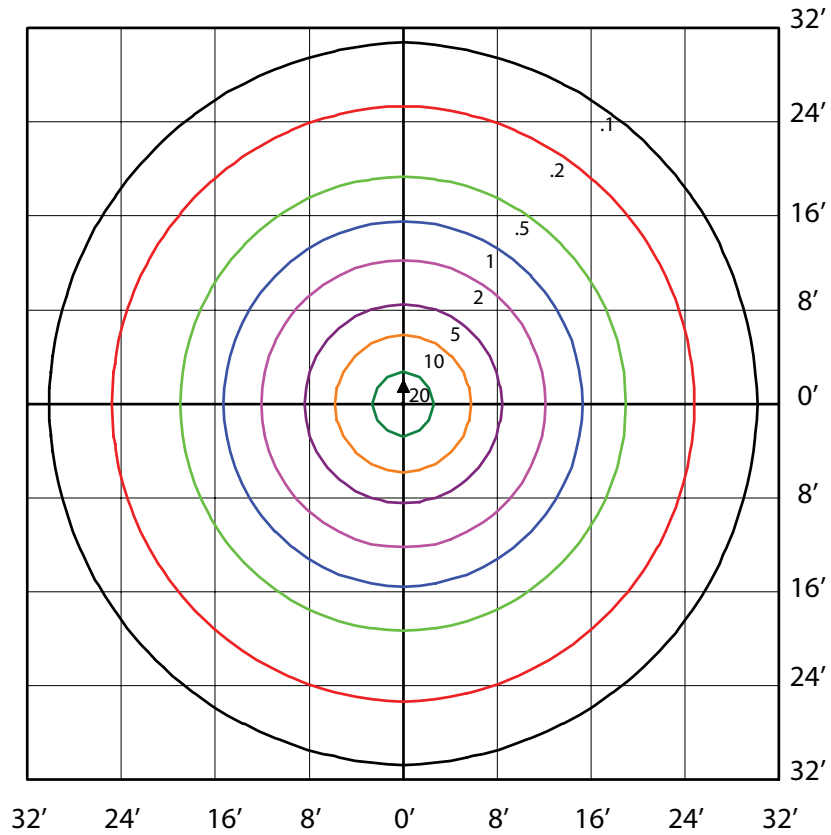
- Fixture delivers over 4,650 lumens at an efficacy of over 125 lumens per watt.
- Rugged die cast aluminum housing with polycarbonate lens.
- UV stabilized powder coat paint finish.
- Photocell for dusk to dawn operation included in the package.

**DIMENSIONS**



**PHOTOMETRICS**

BL1-LED40-B-5K-GRY-PC  
MOUNTED AT 8 FEET



## OTHER MODEL SPECIFICATIONS

MODEL DESCRIPTION	VOLTAGE (V)	INPUT POWER (W)	LIGHT OUTPUT	EFFICACY (Lm/W)	PF	THD	CCT (K)	CRI
BL1-LED40-B-5K-XXX-XX-XX	120-277	36.75	4659.95	126.8	12.15	0.989	4929	83.9

### LEGEND

B - 120V-277V

5K - 5000K

XXX - HOUSING FINISH

XX- LIGHTING CONTROLS (PHOTOCELLS)

XX - LENS TYPE (FROSTED)

## ORDERING GUIDE

<b>BL1</b>						
<b>WATTS</b>	<b>VOLTAGE</b>	<b>COLOR TEMP.</b>	<b>FINISH</b>	<b>PHOTOCELL</b>	<b>LENS TYPE</b>	
LED40	B - 120 - 277V*	5K - 5000K*	GRY - GRAY*	PC-PHOTOCELL*	FR-FROSTED LENS*	

### ACCESSORIES SOLD SEPARATELY

CHECK THE ACCESSORIES YOU WISH TO ORDER:

90° aluminum anodized arm in grey finish

\*Standard Configuration.