



AL3-LED400

LED Area Light



SPECIFICATIONS*

Watts	375
Lumens	46,464
Efficacy	124
Replaces Up To	1,000W HPS
Color Temp	5,000K*, 4,000K, 3,000K
Operating Temp	-40°C to +40°C
Voltage	120-277*, 120, 347
LED Life	100,000 hours
Housing Material	Die Cast Aluminum
Lens Material	Clear Polycarbonate
Beam Pattern	Type 2,3,4,5
Total Harmonic Distortion	5.07%
Power Factor	0.99
Mounting Options	<ul style="list-style-type: none"> • Slipfitter for 2 3/8" Tenon • Wall Mount Bracket • 6"/12" Straight Arm for Round/Square Pole • 6" Die Cast Arm for 4" Diameter Pole • Yoke



DESCRIPTION

The AL-LED fixtures are high efficiency area lights with multiple beam patterns to suit multiple mounting options and a variety of applications. Intelligently designed, this series of fixtures provide superior lighting performance and significant energy savings over traditional fixtures.

APPLICATIONS



Parking Lots



Roadways



Perimeter Lighting

FEATURES

- High efficiency area lights with multiple beam patterns to suit a variety of applications.
- Fixture provides superior lighting performance at approx. 115 lumens per watt with T2, T3, T4, and T5 beam pattern options.
- Superior heat sinking with air-flow fins on the top.

*The above specs apply to the standard product configuration - AL3-LED400, 120V, 5K. For spec information on other product configurations please see page 2. **NOTE:** Not all of our product configurations are qualified on the DLC QPL. To view all of our DLC qualified products please visit the DLC qualified products list at www.designlights.org/qpl.

OTHER MODEL SPECIFICATIONS

MODEL DESCRIPTION	VOLTAGE (V)	INPUT POWER (W)	LIGHT OUTPUT	EFFICACY (Lm/W)	THD	PF	BUG RATING
AL3-LED400-B-3K-T2-XXX-DIM	120-277	379.7	47851	126.02	4.82	0.9964	B5-U3-G4
AL3-LED400-B-4K-T2-XXX-DIM	120-277	375.2	50063	133.43	4.96	0.9967	B5-U3-G4
AL3-LED400-B-5K-T2-XXX-DIM	120-277	375.3	51865	138.2	4.81	0.9961	B5-U3-G4
AL3-LED400-L-3K-T2-XXX-DIM	480	384.5	47220	122.81	6.18	0.9754	B5-U3-G4
AL3-LED400-L-4K-T2-XXX-DIM	480	381	50127	131.57	6.37	0.9753	B5-U3-G4
AL3-LED400-L-5K-T2-XXX-DIM	480	380.6	51765	136.01	6.42	0.9755	B5-U3-G4
AL3-LED400-B-3K-T3-XXX-DIM	120-277	375.2	41271	110	4.98	0.9964	B5-U3-G5
AL3-LED400-B-4K-T3-XXX-DIM	120-277	375.3	46176	123.04	4.92	0.996	B5-U3-G5
AL3-LED400-B-5K-T3-XXX-DIM	120-277	374.9	46464	123.94	5.07	0.996	B5-U3-G5
AL3-LED400-L-3K-T3-XXX-DIM	480	381.3	41692	109.34	6.26	0.9755	B5-U3-G5
AL3-LED400-L-4K-T3-XXX-DIM	480	381.2	46052	120.81	6.32	0.9757	B5-U3-G5
AL3-LED400-L-5K-T3-XXX-DIM	480	379.9	46288	121.84	6.01	0.9753	B5-U3-G5
AL3-LED400-B-3K-T4-XXX-DIM	120-277	375.2	42195	112.46	4.91	0.9966	B4-U3-G5
AL3-LED400-B-4K-T4-XXX-DIM	120-277	373.5	45094	120.73	5.12	0.9969	B4-U3-G5
AL3-LED400-B-5K-T4-XXX-DIM	120-277	372.5	46199	124.02	5.18	0.9957	B4-U3-G5
AL3-LED400-L-3K-T4-XXX-DIM	480	380.9	42643	111.95	6.26	0.9757	B4-U3-G5
AL3-LED400-L-4K-T4-XXX-DIM	480	379.1	44941	118.55	6.37	0.9748	B4-U3-G5
AL3-LED400-L-5K-T4-XXX-DIM	480	378.8	46460	122.65	6.42	0.9752	B4-U3-G5
AL3-LED400-B-3K-T5-XXX-DIM	120-277	378.7	47544	125.55	4.86	0.9955	B5-U3-G4
AL3-LED400-B-4K-T5-XXX-DIM	120-277	374.9	49664	132.47	4.95	0.9961	B5-U3-G4
AL3-LED400-B-5K-T5-XXX-DIM	120-277	374.2	51154	136.7	4.99	0.9962	B5-U3-G4
AL3-LED400-L-3K-T5-XXX-DIM	480	383.3	47457	123.81	6.21	0.975	B5-U3-G4
AL3-LED400-L-4K-T5-XXX-DIM	480	380.4	49607	130.411	6.34	0.9758	B5-U3-G4
AL3-LED400-L-5K-T5-XXX-DIM	480	381.4	52592	137.89	6.27	0.9751	B4-U3-G5

LEGEND

B - 120V-277V, L - 480V

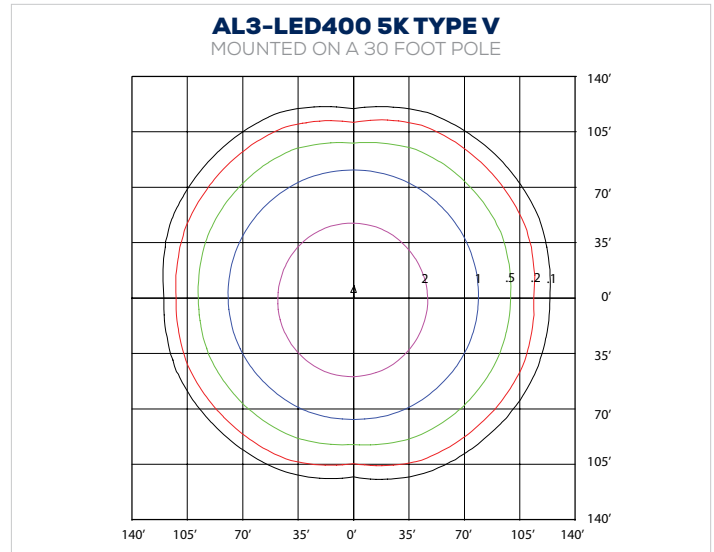
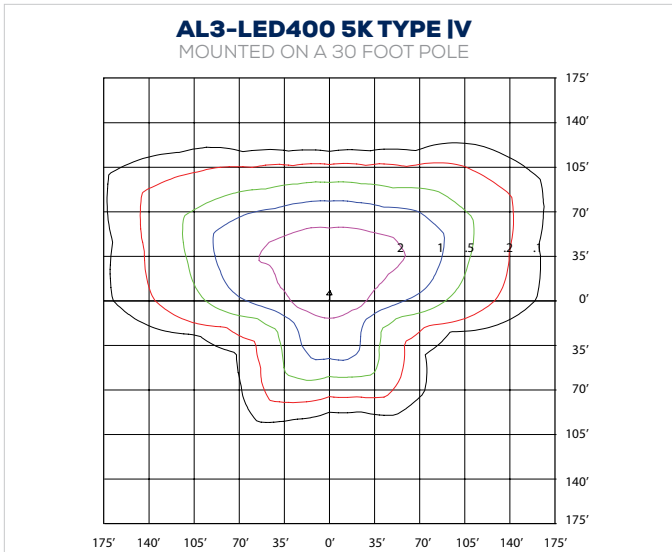
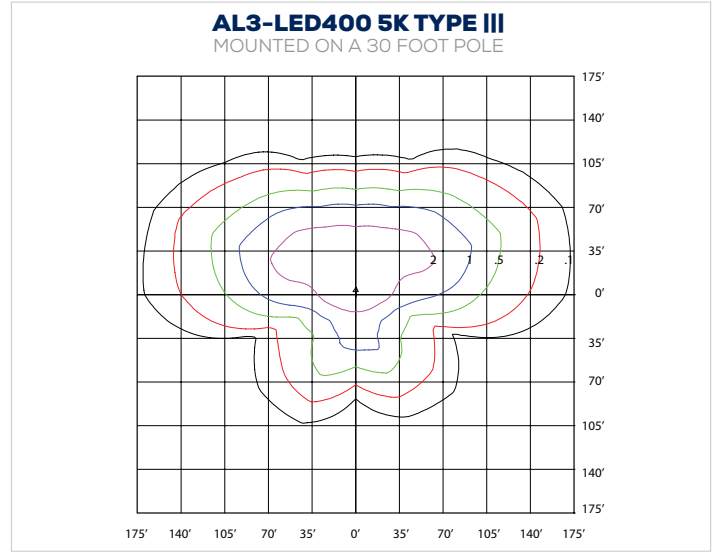
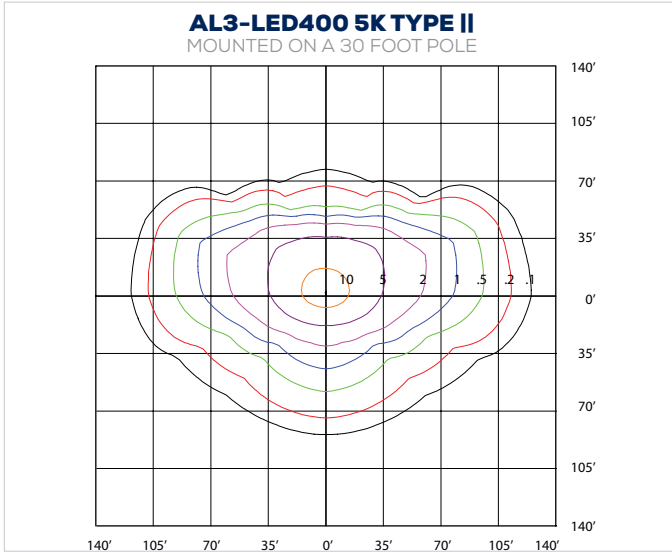
3K - 3000K, 4K - 4000K, 5K - 5000K

T2 - TYPE 2, T3 - TYPE 3, T4 - TYPE 4, T5 - TYPE 5

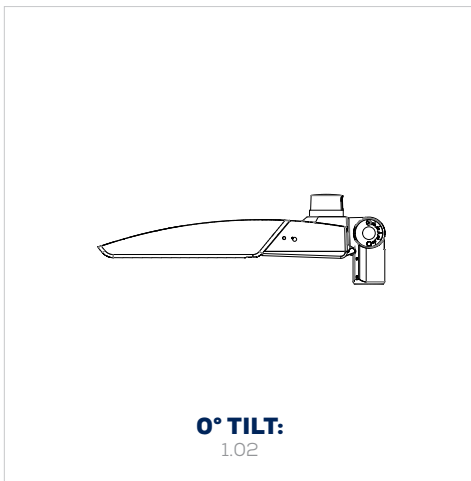
XXX - HOUSING FINISH

DIM - DIMMABLE

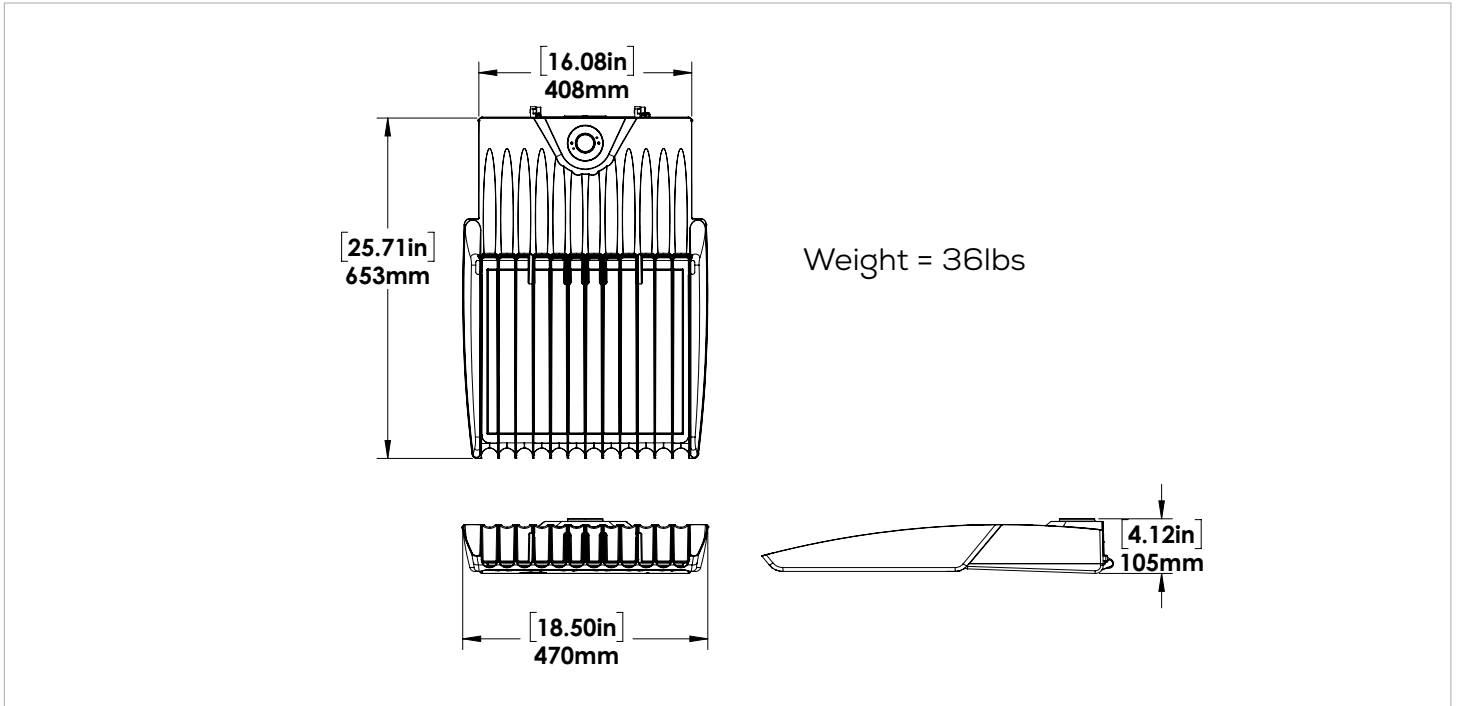
CANDELA PLOTS



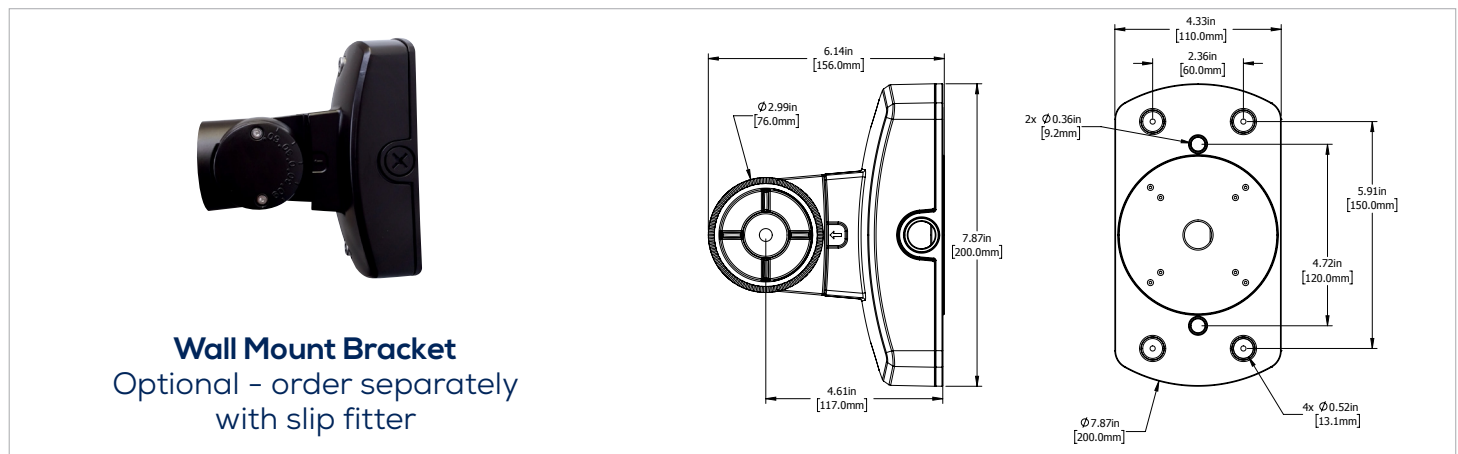
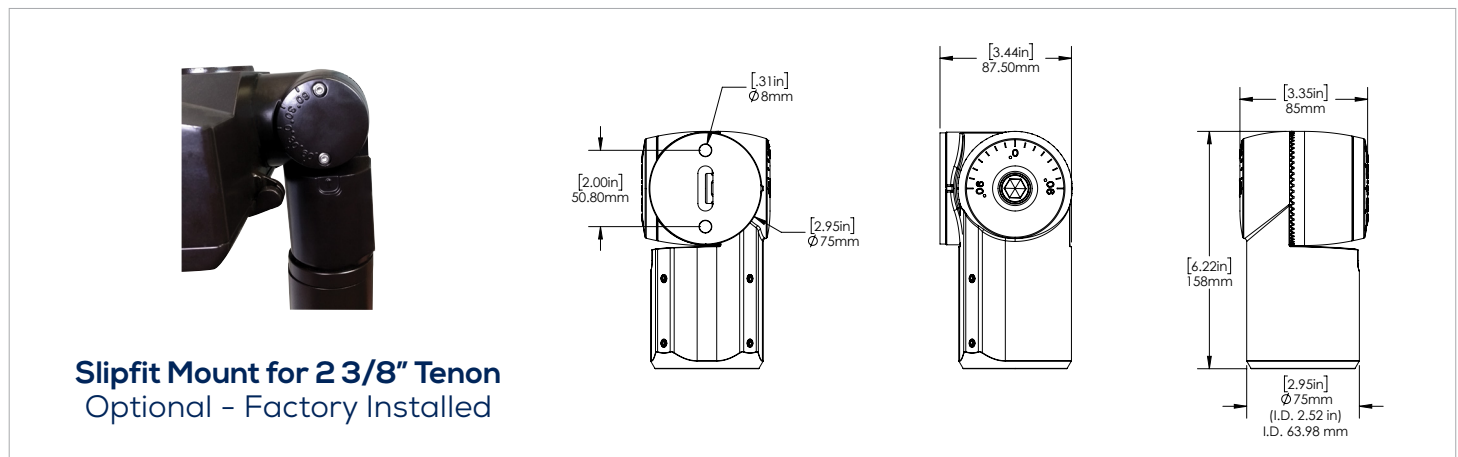
EPA RATING



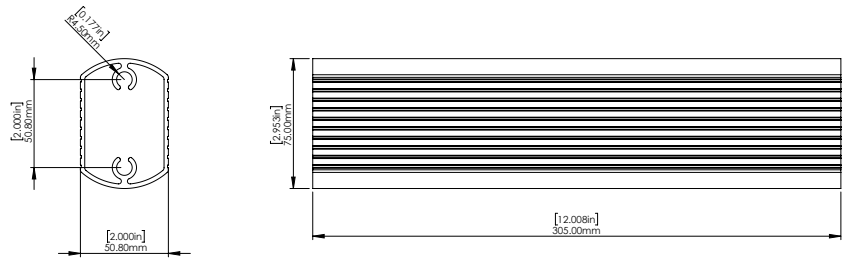
DIMENSIONS



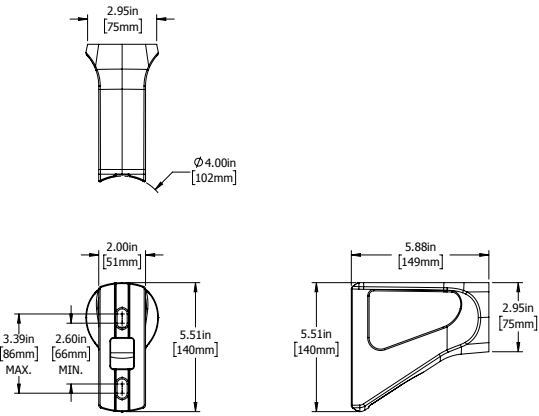
MOUNTING OPTIONS



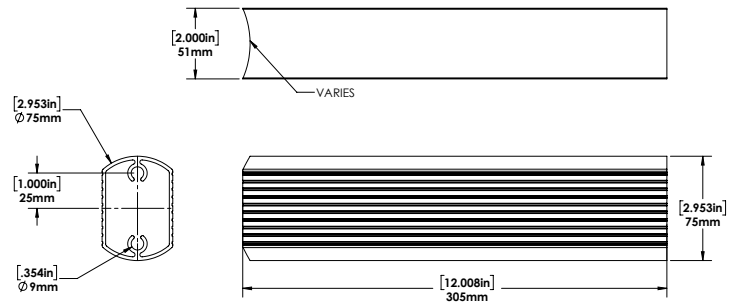
MOUNTING OPTIONS



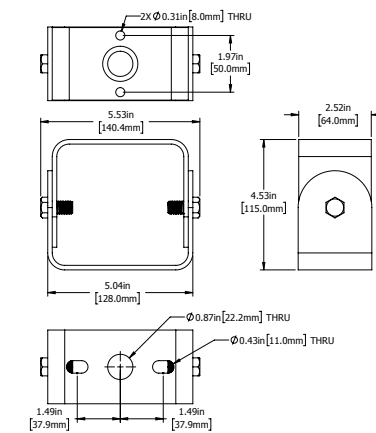
12" Straight Arm for Square Pole
Optional - order separately
(6" Straight arm also available)



6" Die Cast Arm for 4" Round Pole
Optional - order separately



Round Pole Mount
Optional - order separately



Yoke
Optional - Factory Installed

DMS

360° Passive Infra Red
Dimming Motion Sensor



APPLICATIONS

Outdoor or indoor applications, ideal for use with Highbay fixtures (HB-LED Series), Area Lights for poles <40' high (AL-LED Series) or Linear vapourproof with junction box accessory (LFW-LED Series).

DESCRIPTION

The DMS mounts in an outdoor/indoor lighting fixture and provides multi-level control based on motion and/or daylight contribution. It controls 0-10 VDC LED drivers or dimming ballasts, and is rated for wet and cold locations. All control parameters are adjustable via a wireless configuration tool capable of storing and transmitting sensor profiles.

OPERATION

Typically, the sensor ramps lighting On to the selected High mode level when motion is detected and the ambient light level is below the hold off setpoint. After the sensor stops detecting movement and the time delay elapses, lights fade to the Low mode level. If there is no motion during the subsequent cut off time delay, the lights will turn Off. For dusk to dawn control, the integral photocell can switch the lights On or Off based on the ambient light level so that lighting remains on overnight even without motion detection.

WIRELESS REMOTE CONTROL

Initial setup and subsequent sensor adjustments are made using a remote control. This remote control enables adjustment of parameters and is also used to initiate automatic calibration of the DMS ambient light level setpoint. The setpoint is used to hold the controlled lighting off or at a low level when there is sufficient daylight. The remote control stores up to five sensor parameter profiles to speed the configuration of multiple sensors.

FEATURES

- Provides line voltage On/Off switching and 0-10VDC dimming control
- Works with ballasts or LED drivers
- High and low modes fully adjustable from 0 to 10V
- Time delay from 5 to 30 minutes
- Optional cut off delay
- Adjustable ramp up and fade down times
- CLASS 2 for whole sensor
- Optional day lighting setpoints feature automatic calibration, and permit manual adjustment.
- Polycarbonate, flame retardant, UV resistant, impact resistant.
- UL773A and FCC.

SPECIFICATIONS*

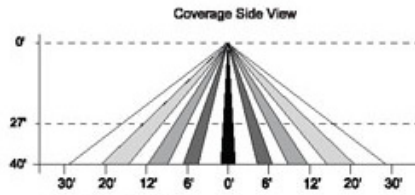
Power Supply	120-277VAC
Maximum Load at -40°C - 70°C	Resistive/Tungsten - 600W@120V Ballast Electronic (LED) - 800/1200VA @120/277V
Dim Control Output	0-10V max. 25mA sinking current

Operating Temperature	-10°C to +40°C
Humidity	Max. 95% RH
Detection Radius/Angle	Max Meters/360°
Mounting Height	Max 40ft
Remote Range	50ft. (15m) indoor, no backlight
Certification	IP66, cULus
Warranty	5 years

*See DMS specification sheet for more details.



DMS - DIMMABLE MOTION SENSOR



- 0 – 10VDC dimming control
- Multi level dimming from 10%-30%
- Time delay can be set from 5 – 30 minutes
- 360° Range - 40 ft high x 30 ft across

SENSOR DEFAULT SETTING

The sensor has the following default setting:

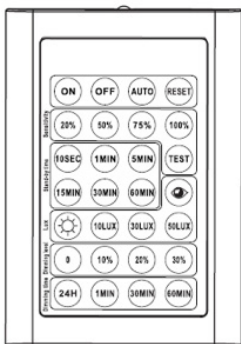
- Sensitivity – 100%
- Standby Time – 5 minutes
- Daylight setting – ☀️
- Dimming level – 20%
- Dimming time – 60 mins

WHERE:

1. Sensitivity is the responsiveness to detect movement.
2. Standby time denotes how long the lights remain at 100% lux levels once the sensor is activated
3. Daylight sensor setting sets the natural light levels needed for the sensor to shut off the fixture. The default setting deactivates the daylight sensor completely.
4. Dimming level indicates the level at which light drops after no motion has been detected during the standby time.
5. Dimming time is how long the light will remain at the low dim level on without activity before it turns off.

Sensor is fully adjustable. For custom settings, order Sensor Remote separately.

PROGRAMMING



	The light either permanently turns ON / OFF. Sensor is disabled.		Long press for 3-4s for the sensor to go into test mode which allows the user to test the motion sensor sensitivity in the daylight by disabling the dimming time period and lux level.
	Turns the fixture ON with the last saved settings.		Pressing this button will reset the light to default setting. 1. 100% Sensor sensitivity 2. 5 min stand-by time 3. Lux level at daylight threshold 4. 20% dimming level 5. 60 min dimming period
	Set the sensitivity and range of the motion sensor.		Set the hold – time. When sensor detects motion, the light stays on at the maximum light level for the hold-time period chosen.
	When pressed, sensor will measure the Lux level of the surrounding area and save it. The light will adjust its dimming level based on the changes occurring with the surrounding ambient light		Set the Lux level for the light to operate. The light will turn on after the surrounding light level is less than the light level set on the sensor except the daylight option which disables the Lux settings.
	Set the Stand-by dimming level.		Set the dimming time period. (If set at 24H, the light stays ON). When sensor detects no motion it will stay ON at the dimming level set, for the chosen time.

ORDERING GUIDE



WATTS	VOLTAGE	Color TEMP.	BEAM	FINISH	DRIVER	OPTIONS	MOUNTING
	B - 120 - 277V*	5K - 5000K*	T2 - TYPE 2	BRZ - BRONZE*	DIM - DIMMABLE DRIVER*	PC - PHOTOCELL	SF - SLIPFIT
	A - 120V	4K - 4000K	T3 - TYPE 3	CC - CUSTOM			YK - YOKE
	L - 480V	3K - 3000K	T4 - TYPE 4			DMS - DIMMING MOTION SENSOR	BLANK - WITHOUT MOUNTING
			T5 - TYPE 5				

*Standard Configuration.

SF - The slipfit and yoke mounting option is factory installed. See below for field installed mounting options.

DMS - Can be used on poles at a maximum of 40' high and for 120-277V only.

FIELD INSTALLED ACCESSORIES

CHECK THE ACCESSORIES YOU WISH TO ORDER:

Wall Mount Bracket (order with slipfitter)

6" Straight Arm for Square Pole

12" Straight Arm for Square Pole

6" Straight Arm for 4" Diameter Round Pole

6" Straight Arm for 5" Diameter Round Pole

6" Straight Arm for 6" Diameter Round Pole

12" Straight Arm for 4" Diameter Round Pole

12" Straight Arm for 5" Diameter Round Pole

12" Straight Arm for 6" Diameter Round Pole

6" Die Cast Arm for 4" Diameter Round Pole

Wireless Remote Control