

The AWL2-LED50 is a wall pack with an adjustable head that can be aimed straight down for dark sky requirements or aimed out to deliver the light where required.



APPLICATIONS

Ideal for use on outdoor walls along perimeters of buildings, townhouses, condominiums, schools.

Project	
Type	
Date	
Notes	

SPECIFICATIONS

Construction

Die cast aluminum housing with tamperproof stainless steel hardware. Clear tempered glass lens with a gasket. There are 6 conduit entries. The unit has a unique hinge assembly for easy installation and a leveling bubble on the back box for proper alignment.

LED configuration

The AWL2-LED50 has two LED Chips On Board (COBs) that deliver 6 282 lumens. The LEDs have a color temperature of 5000K as standard. 3000K and 4000K also available. The LEDs have a CRI of greater than 70 and an operating temperature range of -40°C to +40°C.

Adjustable head

The fixture can be aimed 0° - 90° delivering more lumens on the ground where needed.

Electrical

Total system wattage of the unit is 55W. The standard unit has a high efficiency driver that operates at 120 - 277V. 10KV surge suppressor available.

Finish

Standard finish is Bronze. Please consult factory for custom color.

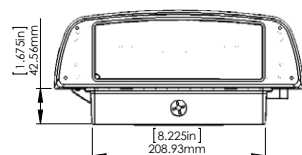
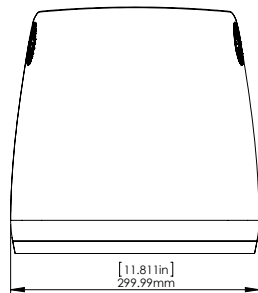
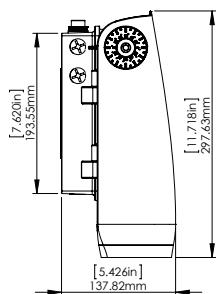
Accessories

Visor, Polycarbonate Lens, Wire Guard, Photocontrol, On/Off Sensor and 0 - 10V Dimmable Smart Sensor.

Equivalent to	up to 200W MH
Input Watts	55W
Lumens	6 282 lumens
Efficiency	115 lumens per watt

Operating Temperature	-40°C to +40°C
Certification	cULus, DLC, IP65 meets LM79, LM80
LED life	100,000 hours
Color Temperature	5000K (standard) 4000K, 3000K (Option)
Warranty	5 Years
Total Harmonic Distortion	20%
Power Factor	0.9

DIMENSIONS



Shown with Optional Motion Sensor



INSTALLATION INFORMATION

1. Open fixture, mount back box to junction box



2. Rest fixture onto hinges and connect wires



3. Reattach fixture to back box

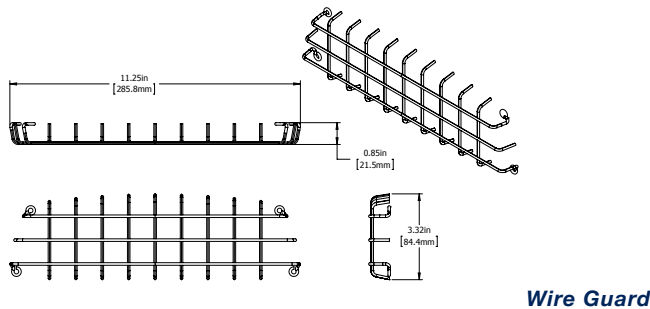
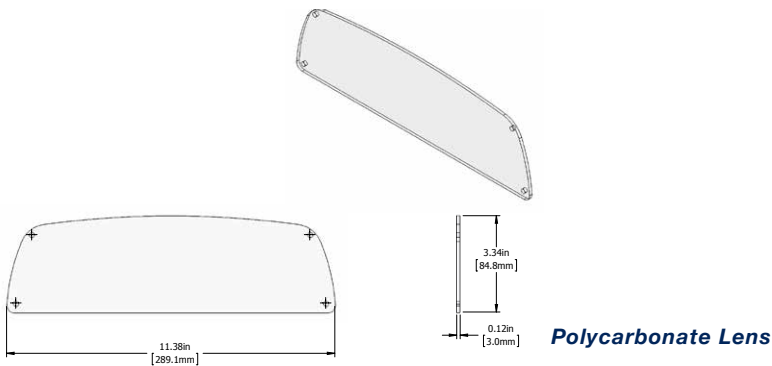
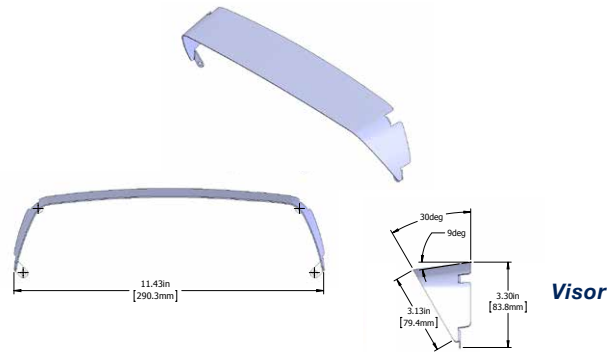
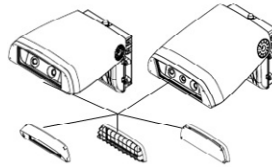


4. Use set screw to adjust fixture to desired angle

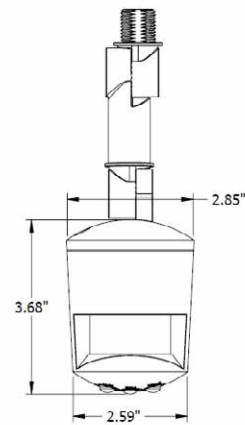


ACCESSORIES

Visor (V), Wire Guard (WG), Polycarbonate lens (PCL)

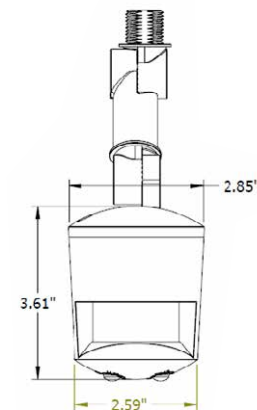


MS180DIM 0 - 10V Dimmable Smart Sensor (DMS), **MS180S** On/Off sensor (SMS)



Dimmable Smart Sensor

The MS180DIM is a fully adjustable, dimmable smart sensor that allows you to provide reduced light levels as low as 10% when no motion is detected.



On/Off Sensor

The MS180S is a fully adjustable motion sensor that can be set for dusk to dawn operation or other custom applications.

Contact us to learn more.

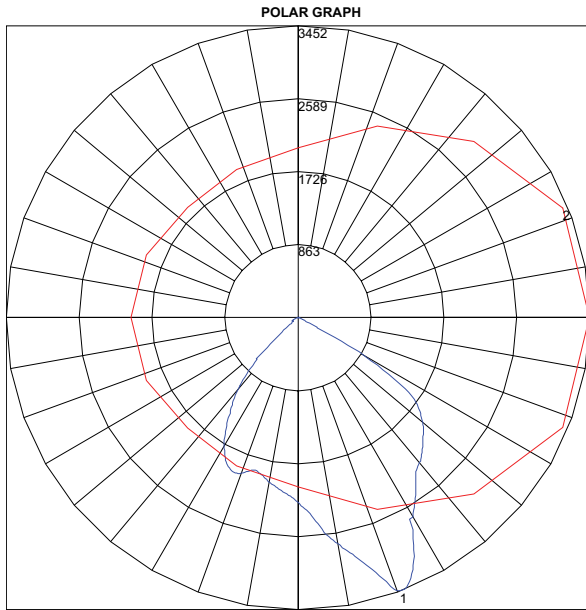
PHOTOMETRIC DATA

IESNA:LM-63-2002
[TEST]
[TESTLAB]
[TESTDATE]
[ISSUEDATE] 2/11/2015

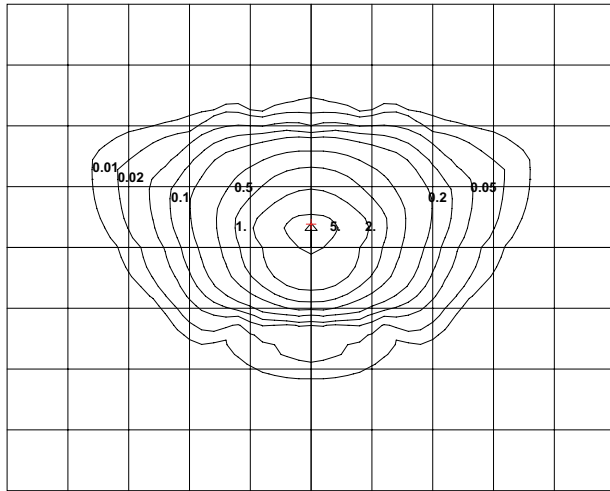
[LUMCAT] AWL2-LED50-B-5K-BRZ
[LUMINAIRE] AWL2 SERIES

CHARACTERISTICS

IES Classification	Type II
Longitudinal Classification	Very Short
Lumens Per Lamp	N.A. (absolute)
Total Lamp Lumens	N.A. (absolute)
Luminaire Lumens	5899
Downward Total Efficiency	N.A. (absolute)
Total Luminaire Efficiency	N.A. (absolute)
Luminaire Efficacy Rating (LER)	123
Total Luminaire Watts	49.555
Ballast Factor	1.00
Upward Waste Light Ratio	0.00
Maximum Candela	3452.256
Maximum Candela Angle	360H 21V
Maximum Candela (<90 Degrees Vertical)	3452.256
Maximum Candela Angle (<90 Degrees Vertical)	360H 21V
Maximum Candela At 90 Degrees Vertical	1.855 (0.0% Luminaire Lumens)
Maximum Candela from 80 to <90 Degrees Vertical	48.903 (0.8% Luminaire Lumens)
Cutoff Classification (deprecated)	N.A. (absolute)



Maximum Candela = 3452.256 Located At Horizontal Angle = 360, Vertical Angle = 21
1 - Vertical Plane Through Horizontal Angles (360 - 180) (Through Max. Cd.)
2 - Horizontal Cone Through Vertical Angle (21) (Through Max. Cd.)



Mounting Height = 20'. Each box is one mounting height.

Mounting Height	Multiplier
10	4.000
15	1.778
20	1.000
25	0.640
30	0.444
35	0.327
40	0.250
45	0.198
50	0.160

ORDERING GUIDE

AWL2	-	LED50	-		-		-	
		VOLTAGE	COLOR TEMP		FINISH		OPTIONS	
		B - 120 - 277V*	5K - 5000K*		BRZ- BRONZE*		V - Visor	
		A - 120V	4K - 4000K		CC - CUSTOM		WG - Wire Guard	
		F - 277V	3K - 3000K		COLOR		PCL - Polycarbonate Lens	
							DMS - Dimmable Sensor	
							SMS - On/Off Sensor	
							PCA - 120V Photocell**	
							PCF - 277V Photocell**	
							10KV Surge Supsressor	

* Standard configuration

** Chosen photocell option must be the same as voltage