

INSTALLATION INSTRUCTIONS

IMPORTANT: READ CAREFULLY BEFORE INSTALLING FIXTURE. SAVE THESE INSTRUCTIONS.

WARNING: Disconnect power during installation and before maintaining.

SAFETY: This fixture must be wired in accordance with the Canadian Electrical Code, and applicable local codes and ordinances.
Proper grounding is required to ensure personal safety.
A qualified electrician should perform all wiring.

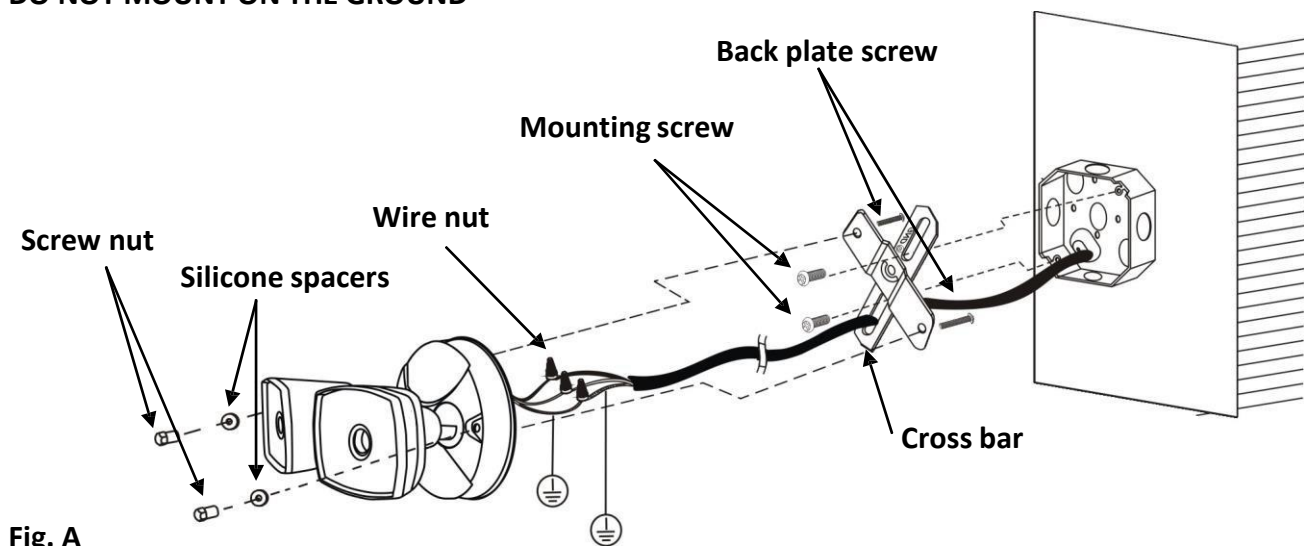
PRODUCT SPECIFICATION

- Power Source: 120VAC/60Hz, 32.50W
- With AC COB LED Chip: 2 pcs * 14W
- Load Rating: No extra Lights should be added to this unit

INSTALLATION & WIRING:

- Attach the crossbar to junction box using the mounting screws.
- Connect black wire (live wire) from the AC power to the single black wire from the fixture.
- Connect the white wire (common) from the AC power to the white wire from the the fixture.
- Connect the ground wire from the power side to the green/yellow wire (ground) from the fixture.
- Make sure the polarity is correct.
- Attach the light to the crossbar screws and secure with the screw nuts.
- After installation, be sure to apply a bead of silicone compound all around backing where it meets with the surface to ensure a weatherproof installation.

DO NOT MOUNT ON THE GROUND



Recommended height installation: 6.5' TO 8.25'

AIM LAMP HEADS

- **Adjust the lamp head to get desired light direction**
- **Turn on electricity at fuse or circuit breaker box and verify success of installation**
- **Apply silicone caulking (not included) around the perimeter of the fixture where it contacts the mounting surface for moisture seal**