



Flood Light

FLS-LED



Mounting sold separately, please refer ordering guide for full list of mountings

Integrated Photocell

The FLS-LED Series delivers high-efficiency, optimized performance for flood and area lighting applications. Selectable wattage and CCT switches provide on-site flexibility. A standard integrated photocell can be enabled or disabled as needed, with optional 3-pin or 7-pin receptacles available with shorting cap or twist-lock photocell. Ideal for parking lots, building facades, perimeter lighting, car dealerships, and many more.

IDEAL APPLICATIONS

- Parking Lots & Driveways
- Playgrounds
- Car Dealerships
- Storage Yards
- Commercial & Industrial Building Facades

SPECIFICATIONS

	FL5S-LED100A50	FL5S-LED150A80	FL8S-LED230A150	FL8S-LED320A200	FL9S-LED400A300
PERFORMANCE					
Light Output (lm)	16300/13000 /8150	22500/15000/ 12000	34500/30000/ 22500	48000/36000/ 30000	58000/50750 /43500
Efficacy	163 lm/W		150 lm/W		145 lm/W
CCT	CCT Selectable - 3000K/ 4000K/ 5000K, 2200K (Optional)				
Beam Distribution	Type III, Type V (NEMA 7x7)				
Replaces up to	250W MH	400W MH	750W MH	1000W MH	
LED Lifetime (L80)	>100 000 hours				
CRI	74				
BUG Rating	B3-U0-G3		B4-U0-G4	B5-U0-G5	
ELECTRICAL					
Wattage (W)	100/80/50	150/100/80	230/200/150	320/240/200	400/350/300
Voltage	120-277V, 480V				
Surge Protection	6kV Internal (with driver), 10kV External (added to every fixture) as per IEC/EN61000-4-5				
Power Factor	≥0.9				
THD	≤15%				
Cord	Input: 3 ft (STW, 600V) Dimming: 3 ft (SJTW, 300V)				

CONSTRUCTION			
Housing	Die Cast Aluminum		
Lens	Polycarbonate lens with Type III/Type V distribution		
Finish	Bronze (Standard), Custom Finish		
Paint Specs	Weather and Corrosion resistant polyester powder coat finish with 800 hours salt spray rating as per ASTM B117		
AMBIENT OPERATING TEMPERATURE			
Fixture	-40°C to 60°C (-40°F to 140°F)	-40°C to 55°C (-40°F to 131°F)	-40°C to 45°C (-40°F to 113°F)
MOUNTING			
Accessories	Yoke, Trunnion, Slip Fitter, Slip Fitter with Wall Adapter, Direct Mount for Round or Square Poles		
CERTIFICATIONS			
cULus Listed for Canada and USA, per UL 1598 & CSA C22.2 No. 250.0, IP66, NEMA 4X, DLC Premium			
CONTROLS			
Dimming	0-10V (10% to 100% Dimming, Dim to Off)		
Sensor	Integral Photocell (Standard) DHFS - Dimming High Frequency Motion Sensor (Factory installed)		

Note: Electrical and Light Performance data is based on LM79 test report at 4000K, Type V and 120V.

Default Setting: Highest wattage/ 4000K /Photocell ON



ORDERING GUIDE

Fixture	Wattage	Voltage	Color Temp.	Beam Distribution	Finish	Dimming	Controls	Options
FL5S	LED100A50	B - 120-277V	VK - CCT Selectable (3000K/ 4000K/ 5000K)	T5 - Type V*	BRZ - Bronze*	DIM - 0-10V Dimming	PC - Photocell *	SP10 - 10kV Surge Protection*
	LED150A80	L - 480V		T3 - Type III	CST - Custom Color		DHFS - Motion Sensor	SP20 - 20kV** Surge Protection
FL8S	LED230A150						PCLS - Photocell CCT Lumen Sensor	
	LED320A200							
FL9S	LED400A300						TPC - Twist-lock Photocell	
							3PIN - 3 pin receptacle for ON/OFF photocells	
							7PIN - 7 pin receptacle for smart control systems	

* Standard Configuration

** Available in 120-277V only

Note:

Super Durable paint finish with a 3000-hour salt spray resistance rating (per ASTM B117) &

Dark Sky friendly configuration (2200K CCT) are available upon request.

Please contact Customer Success for additional details.

STOCK CODES

054549	FL5S-LED100A50-B-VK-T5-BRZ-DIM-PC-SP10
054401	FL5S-LED150A80-B-VK-T5-BRZ-DIM-PC-SP10
054550	FL8S-LED230A150-B-VK-T5-BRZ-DIM-PC-SP10
054402	FL8S-LED320A200-B-VK-T5-BRZ-DIM-PC-SP10
054403	FL9S-LED400A300-B-VK-T5-BRZ-DIM-PC-SP10

ACCESSORIES SOLD SEPARATELY

053363	FL5S/FL8S/FL9S SELECT YOKE BRZ		052267	RC-100 MOTION SENSOR REMOTE CONTROL	
053364	FL5S/FL8S/FL9S SELECT SLIP FITTER BRZ		052929	RC-107 PHOTOCONTROL REMOTE CONTROL	
053365	FL5S/FL8S/FL9S SELECT SLIP FITTER W/ADAPTER BRZ				
053366	FL5S/FL8S/FL9S SELECT TRUNNION BRZ				
053367	FL5S/FL8S/FL9S SELECT DIRECT MOUNT BRZ				

ADDITIONAL DETAILS

MAX AMPERAGE DRAW (A)					
CURRENT					
	120V	208V	240V	277V	480V
FL5S-LED100A50	1.2	0.7	0.6	0.5	0.3
FL5S-LED150A80	1.7	1.0	0.9	0.7	0.4
FL8S-LED230A150	2.5	1.4	1.3	1.1	0.6
FL8S-LED320A200	3.5	2.0	1.8	1.5	0.9
FL9S-LED400A300	4.0	2.3	2.0	1.7	1.0

LUMEN MAINTENANCE		
L90	L80	L70
>50000	>100000	>100000

Life hours are derived from IESNA LM-80 testing report and projected per IESNA TM-21 calculations.

EPA (ft ²)					
	Description	Fixture Weight	Tilt 0°	Tilt 45°	Tilt 90°
FIXTURE	FL5S-LED100A50	10.1 lbs	0.25	0.97	1.37
	FL5S-LED150A80	10.4 lbs			
	FL8S-LED230A150	14.9 lbs	0.38	1.46	2.07
	FL8S-LED320A200	15.2 lbs			
	FL9S-LED400A300	18.7 lbs			
ACCESSORIES	YOKE		0.22		
	SLIP FITTER		0.14		
	SLIP FITTER W/ADAPTER		0.22		
	TRUNNION		0.14		
	DIRECT MOUNT		0.19		

PHOTOCELL/CCT/LUMEN SENSOR (PCLS)

RC107 REMOTE SPECIFICATIONS (FOR PCLS CONTROLLER)

SPECIFICATIONS	
INPUT POWER	LED INPUT : MAX . 250VDC 3A; SENSOR INPUT: 10-14VDC, >30MA
INPUT CURRENT	MAX. 25MA
CONTROL OUTPUT	0-10V OUTPUT SIGNALS
POWER CONSUMPTION	MAX.0.5W
OPERATING LIGHT LEVELS	10-20LUX ON, 30-80LUX OFF
AMBIENT TEMPERATURE	99%RH

DEFAULT FACTORY SETTING	
TASK LIGHT LEVEL	100%
HOLD TIME	DISABLE
PHOTOCELL	LOW
CCT	CCT LOW (WW - 3000K)

PCLS Controller allows the Installer to adjust color temperature, brightness, and photocontrol settings using a remote control after installation.

FEATURES



Detection Range: 50ft

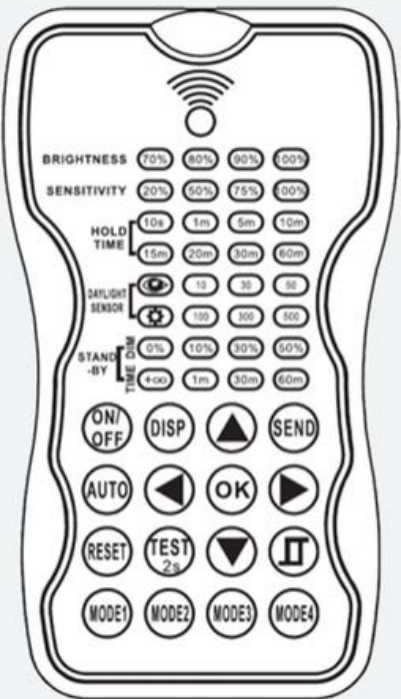
	<p>ON: Turn on the fixture, the brightness is according to the task level you set.</p> <p>OFF: Turn off the fixture, the fixture is permanently off.</p> <p>RESET: Task Light Level:100%; Hold Time: Disable; Photocell:Low; CCT:CCT Low (WW - 3000K)</p> <p>REPEAT: Send the same setting to different fixtures installed.</p>
	<p>DIM+: With each push of the button, brightness increases by 10%.</p> <p>DIM-: With each push of the button, brightness decreases by 10%;</p>
	<p>Select the task brightness of the fixture as needed.</p>
	<p>HOLD TIME: The "hold time" starts to count right after the fixture turns on. When the "hold time is up, the fixture adjusts to 50% brightness until the light control turns the light fixture off.</p> <p>DISABLE: When you choose disabled, the fixture maintains the task light level</p>
	<p>LOW: When the ambient lux is less than 30lux, the fixture turn on at the task level you set, when the ambient lux is more than 50lux, the fixture turns off.</p> <p>MIDDLE: When the ambient lux is less than 80lux, the fixture turn on at the task level you set, when the ambient lux is more than 100lux, the fixture turns off.</p> <p>HIGH: When the ambient lux is less than 150lux, the fixture turn on at the task level you set, when the ambient lux is more than 180lux, the fixture turns off;</p> <p>DISABLE: Photoelectric switch disabled:</p>
	<p>CCT : Adjust CCT(WW - Warm White/3000K, NW - Neutral White/4000K, CW - Cool White/5000K)</p>

Note: Custom settings can be done based on requirements in the Factory.

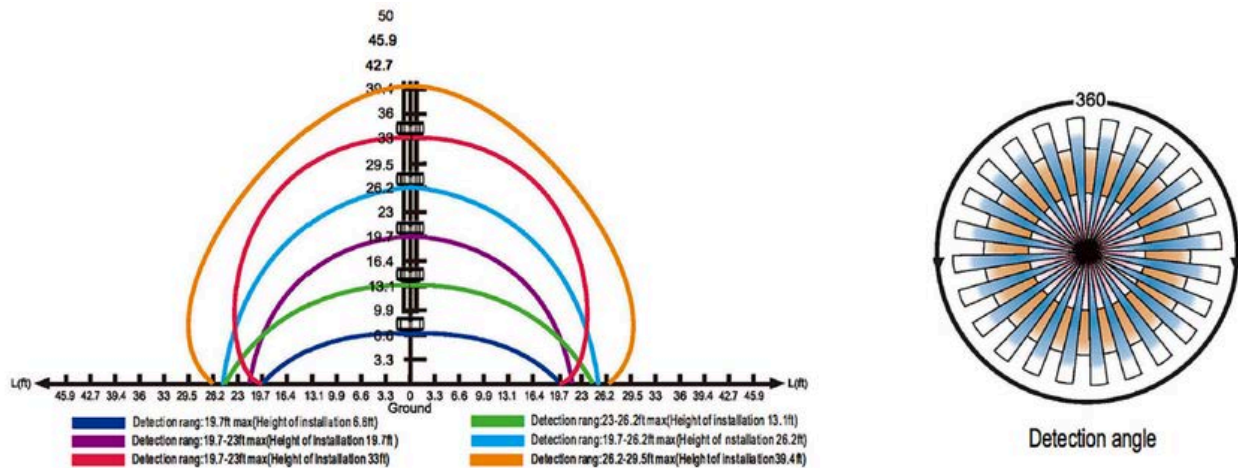
DIMMING HIGH FREQUENCY MOTION SENSOR (DHFS)

SENSOR SPECIFICATIONS		DEFAULT FACTORY SETTING	
POWER SUPPLY	12V-24V DC	BRIGHTNESS	100%
HIGH FREQUENCY SYSTEM	5.8GHZ +/-75MHZ	SENSITIVITY	100%
DIM CONTROL OUTPUT	0-10V, MAX. 25MA SIMLING CURRENT	HOLD TIME	5 MINS
DETECTION RADIUS/ANGLE	MAX 26FT (8M)/360°	DAYLIGHT SENSOR	☼
MOUNTING HEIGHT	MAX 40FT	STAND-BY DIM	30%
REMOTE RANGE	50FT. (15M) INDOOR, NO BACKLIGHT	STAND-BY TIME	60 MINS
HUMIDITY	MAX. 90% RH		
TEMPERATURE	-40°C to 70°C (-40°F to 158°F)		

RC100 REMOTE SPECIFICATIONS (FOR DHFS CONTROLLER)

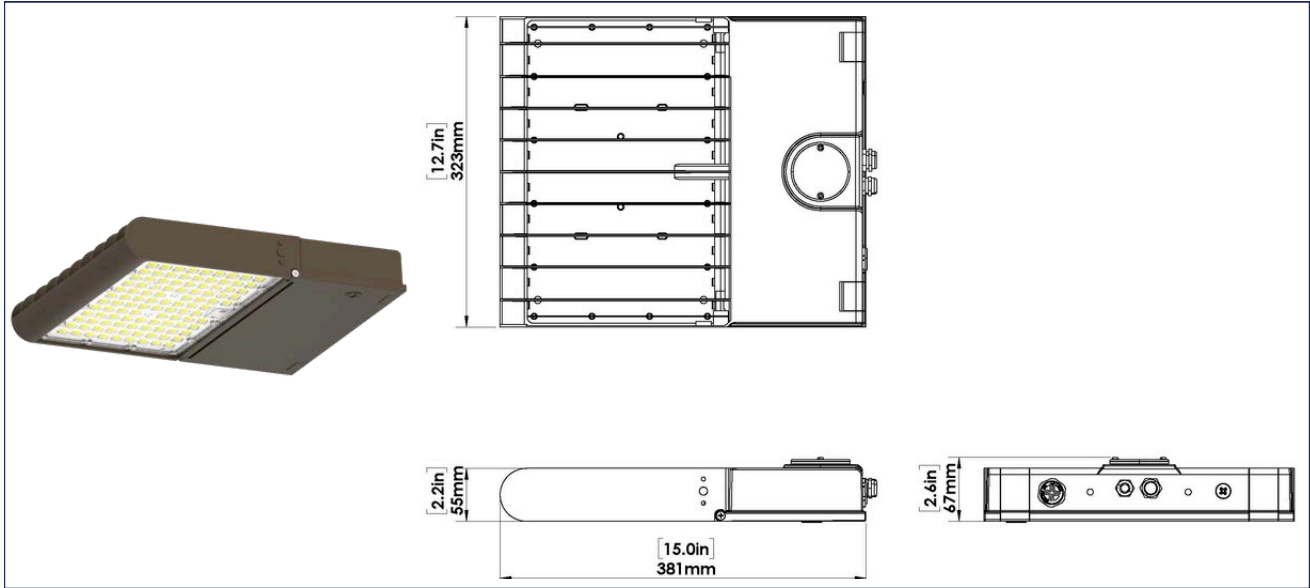
FEATURES	
	<p>BRIGHTNESS: Sets the highest light fixture brightness when motion is detected.</p>
	<p>SENSITIVITY: Sets the sensitivity to which the sensor will detect motion.</p>
	<p>HOLD TIME: The time the light fixture will remain at the brightness setting after it detects motion.</p>
	<p>DAYLIGHT SENSOR: The lux setting that the light fixture will turn on/off. If the ambient lux is more than the defined lux setting, the fixture & sensor function will turn off and remain off until the ambient lux is below the setting. To disable the lux sensor, select the SUN icon. To set the lux to match current room conditions, select the EYE icon.</p>
	<p>STAND-BY DIM: The Dim level that the light fixture will dim down after the Hold Time has expired. To disable dimming and only have ON/OFF, select the 0% icon</p>
	<p>STAND-BY TIME: The time the light fixture will remain in the dim down state before it shuts off. To disable the light from shutting off, select the INFINITY icon.</p>

SENSOR COVERAGE

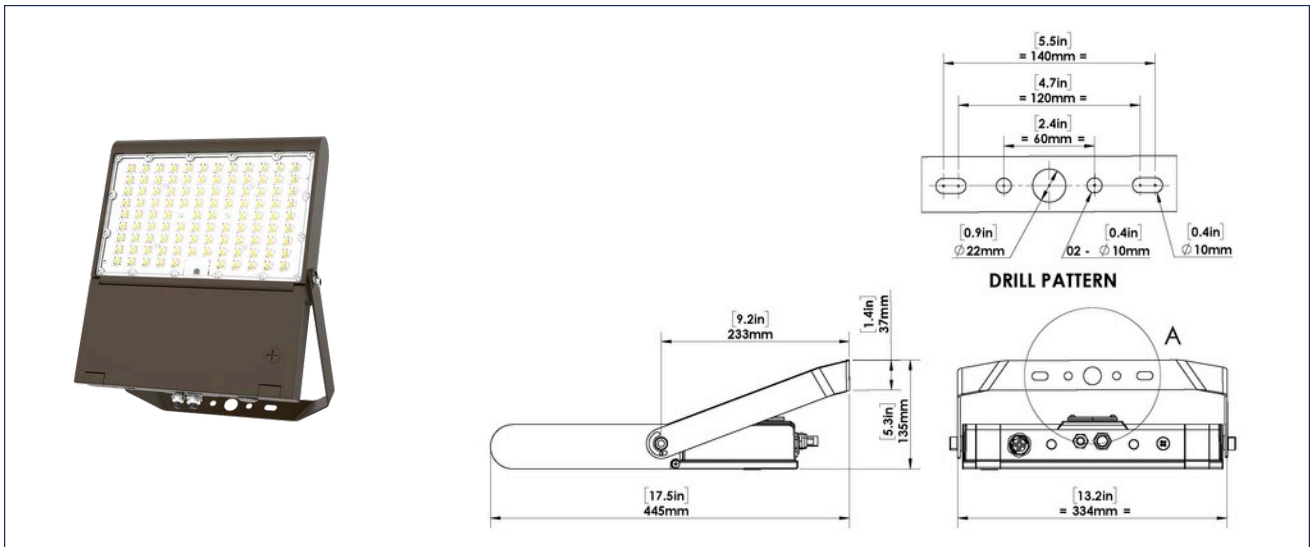


DIMENSIONS

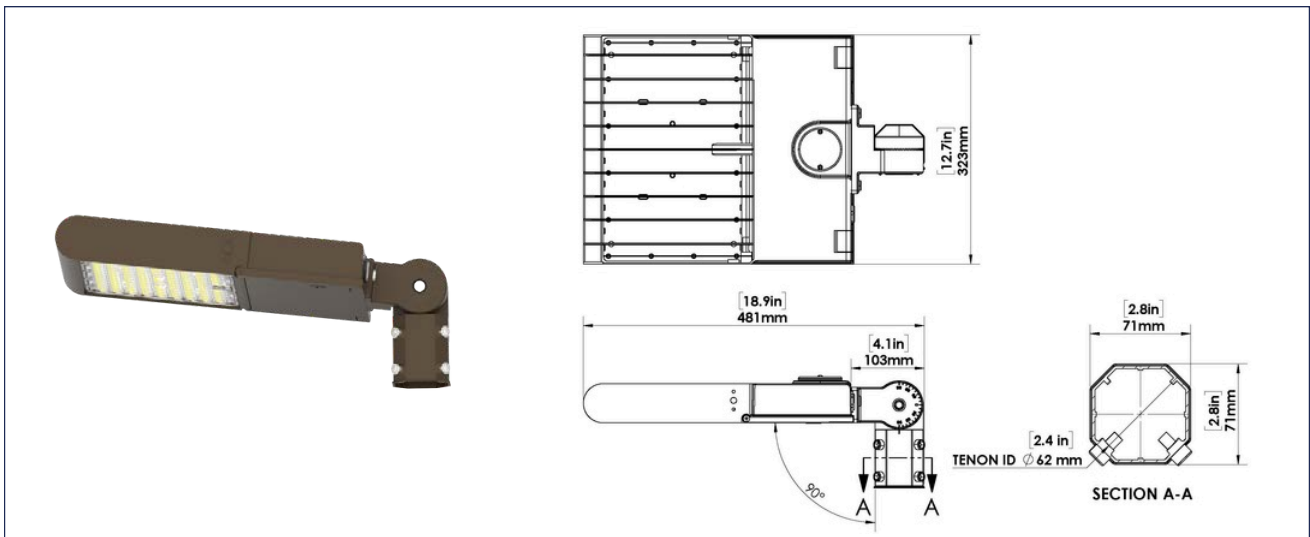
FL5S



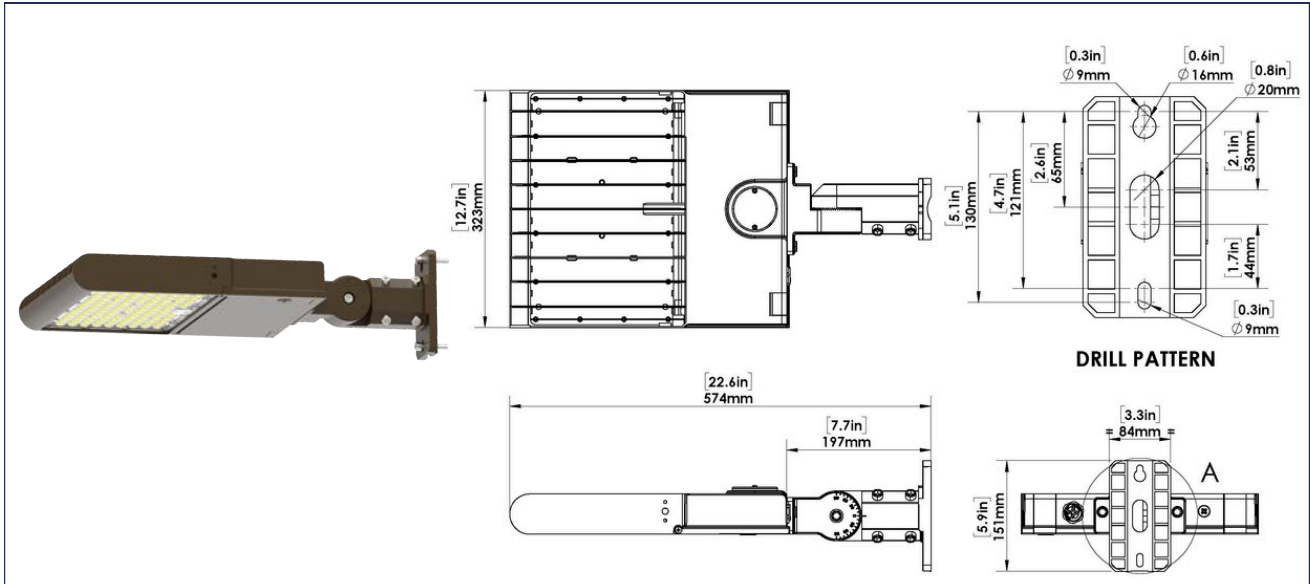
FL5S - YOKE MOUNT



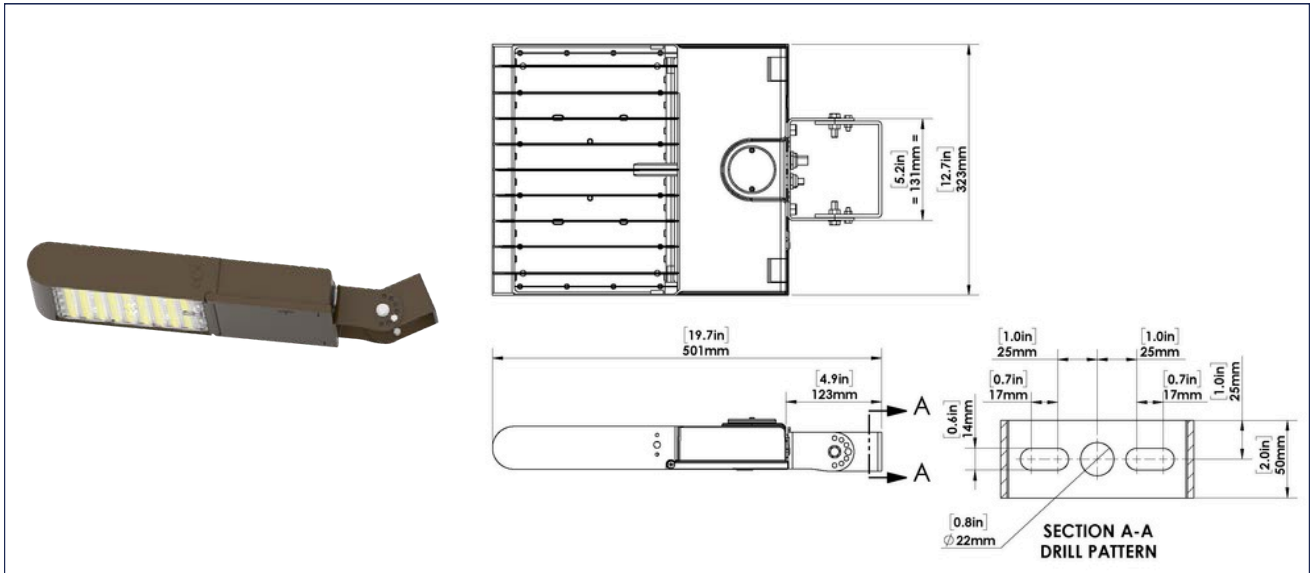
FL5S-SLIPFITTER



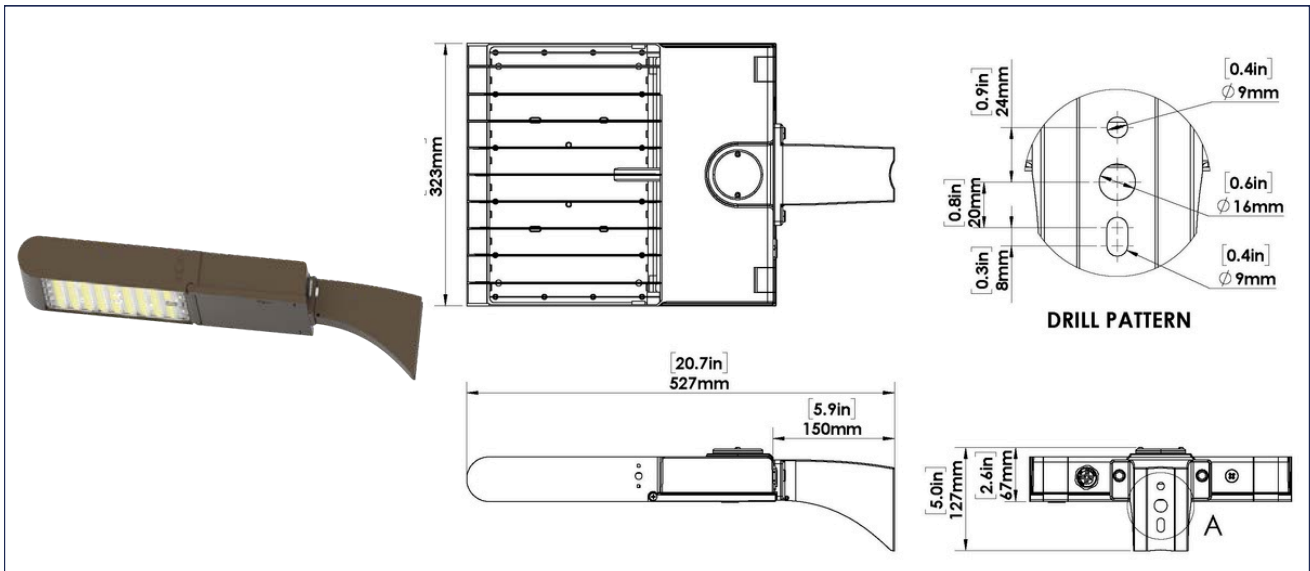
FL5S-SLIPFITTER WITH WALL ADAPTOR



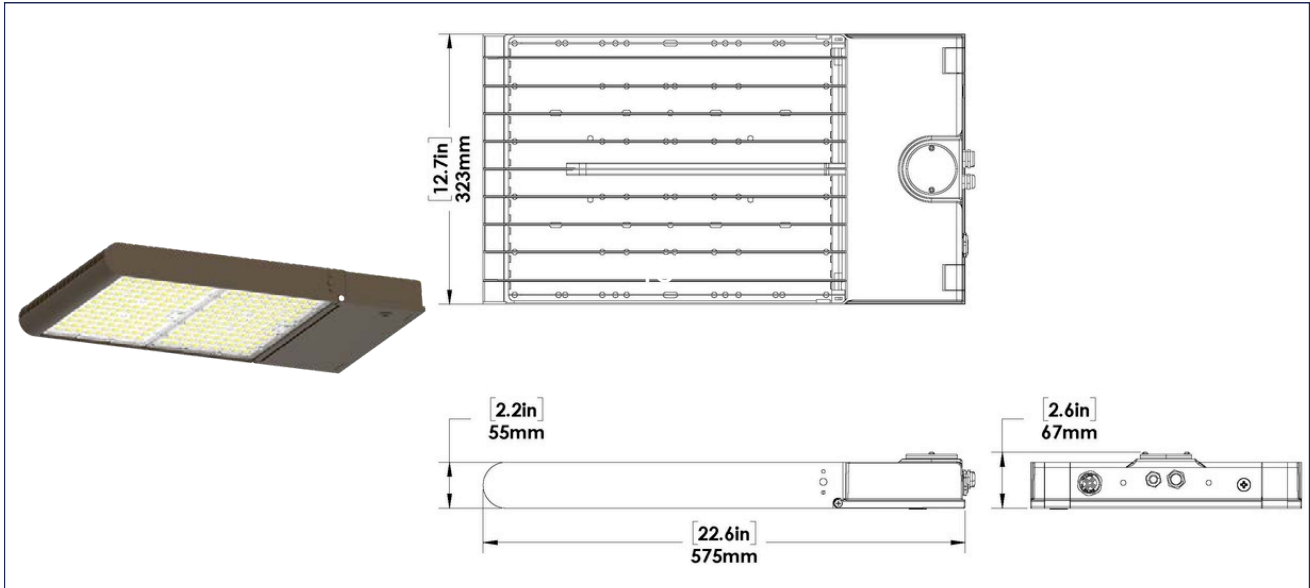
FL5S-TRUNNION



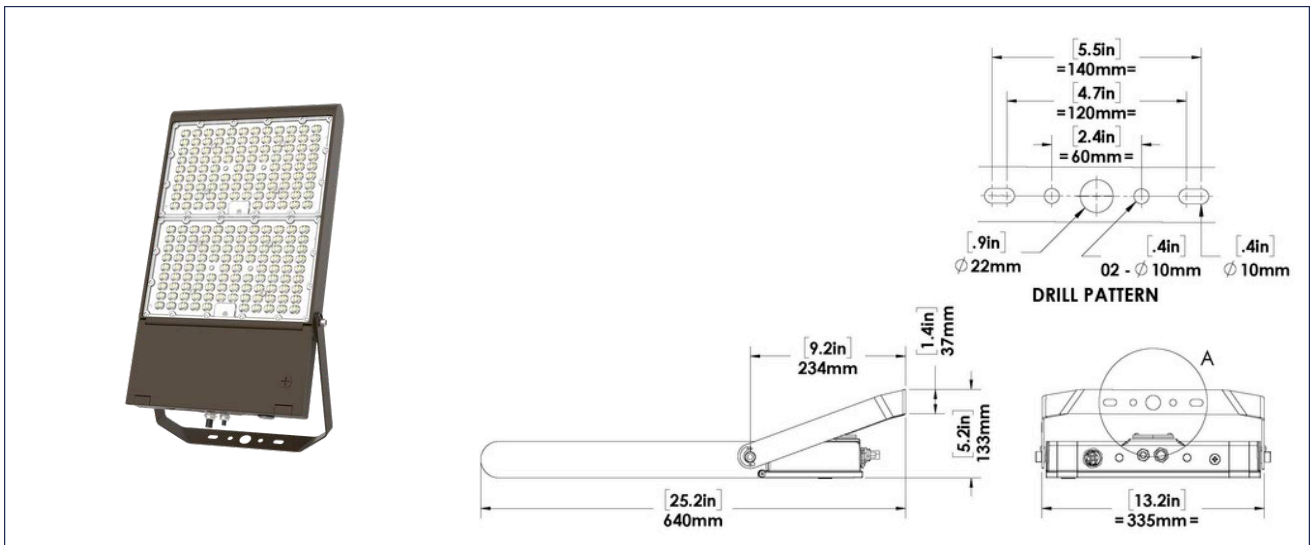
FL5S-DIRECT MOUNT



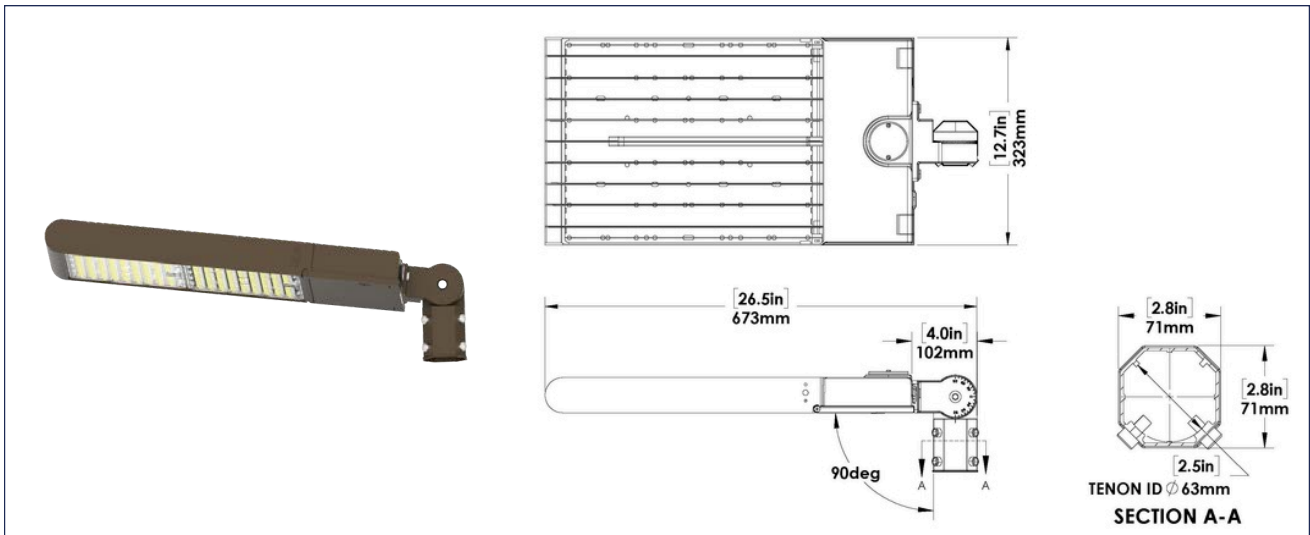
FL8S



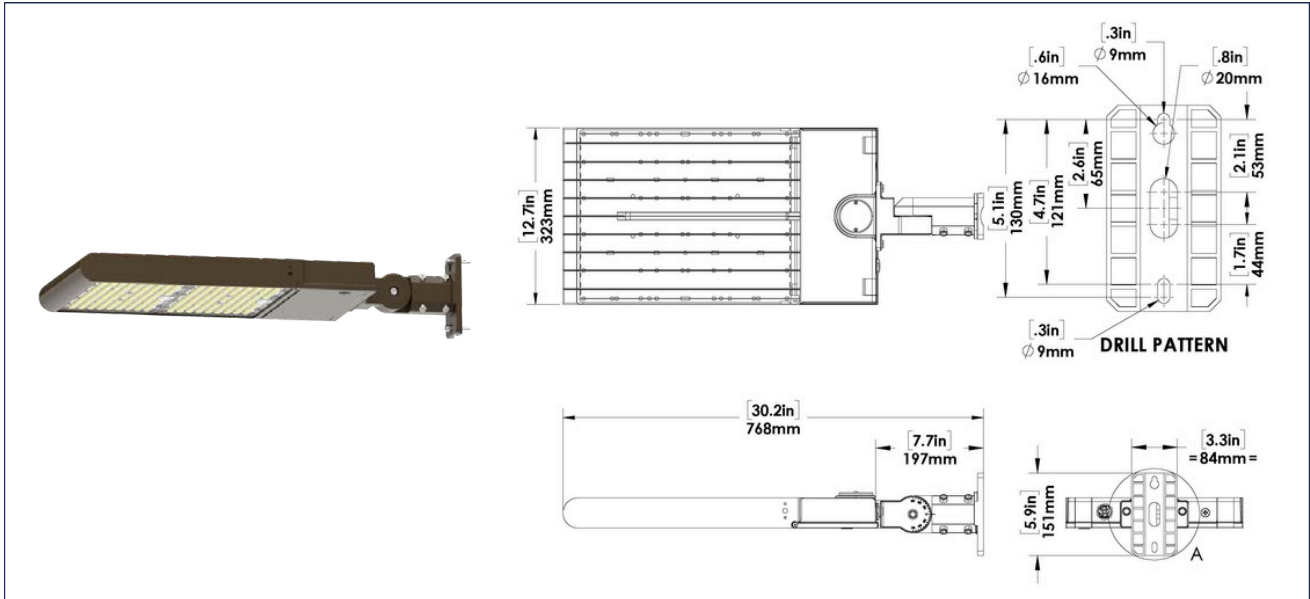
FL8S-YOKE MOUNT



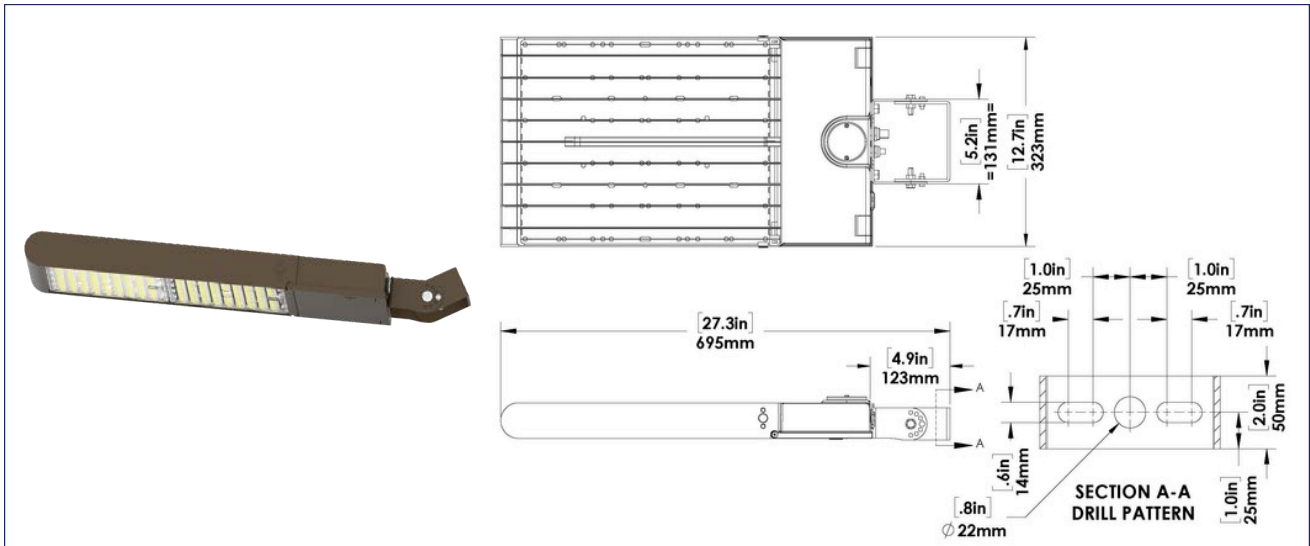
FL8S-SLIPFITTER



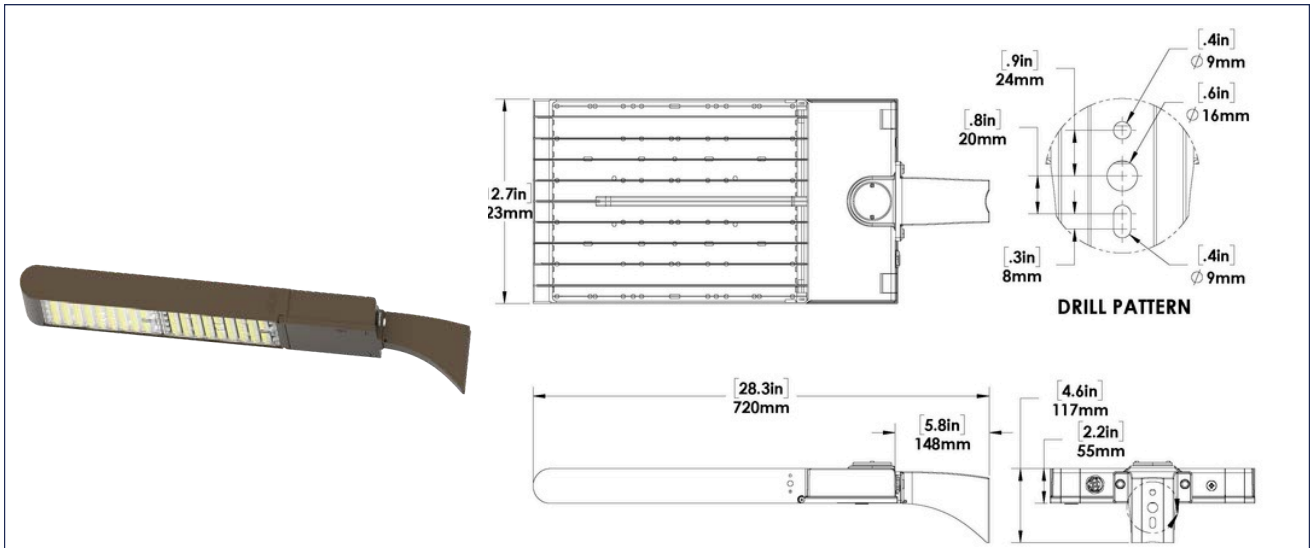
FL8S-SLIPFITTER WITH WALL ADAPTOR



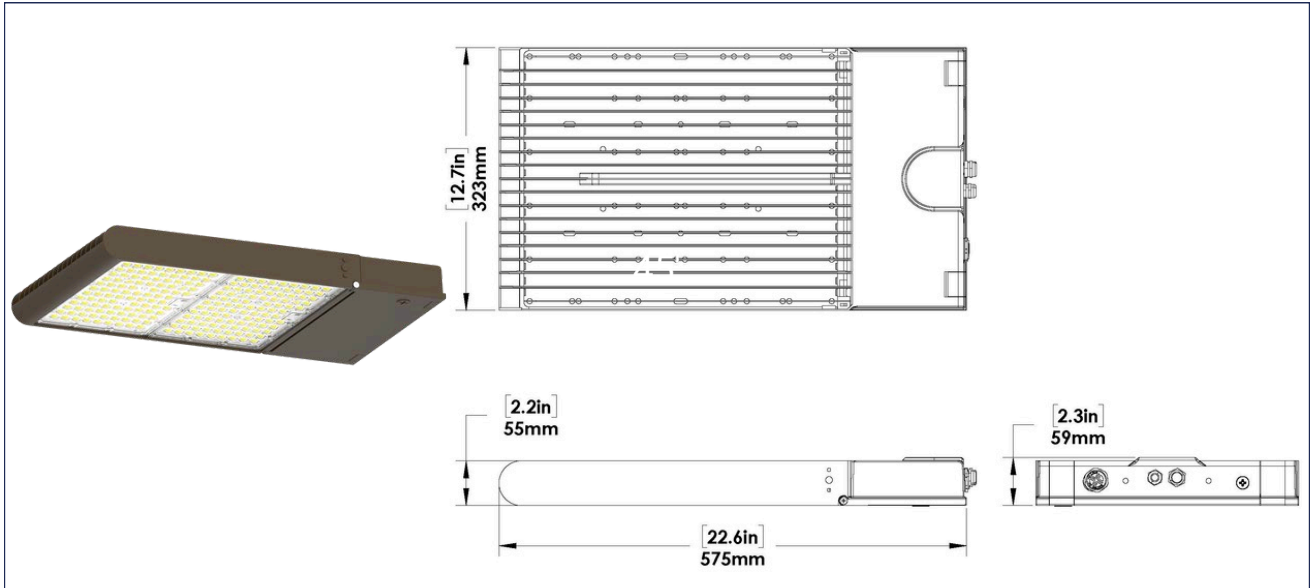
FL8S-TRUNNION



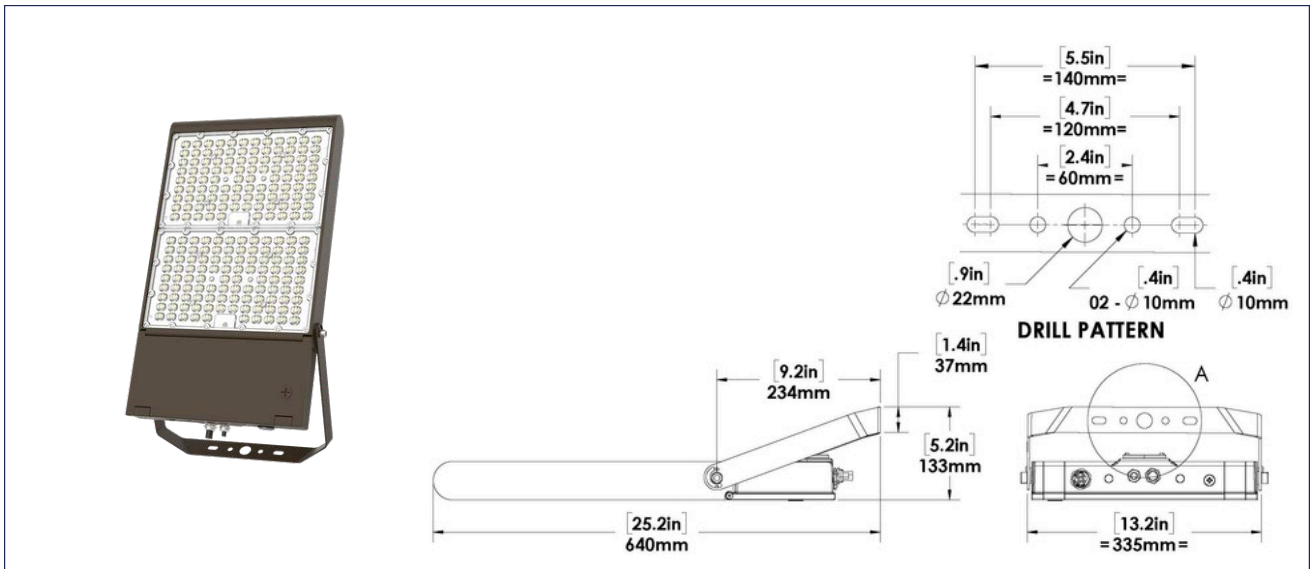
FL8S-DIRECT MOUNT



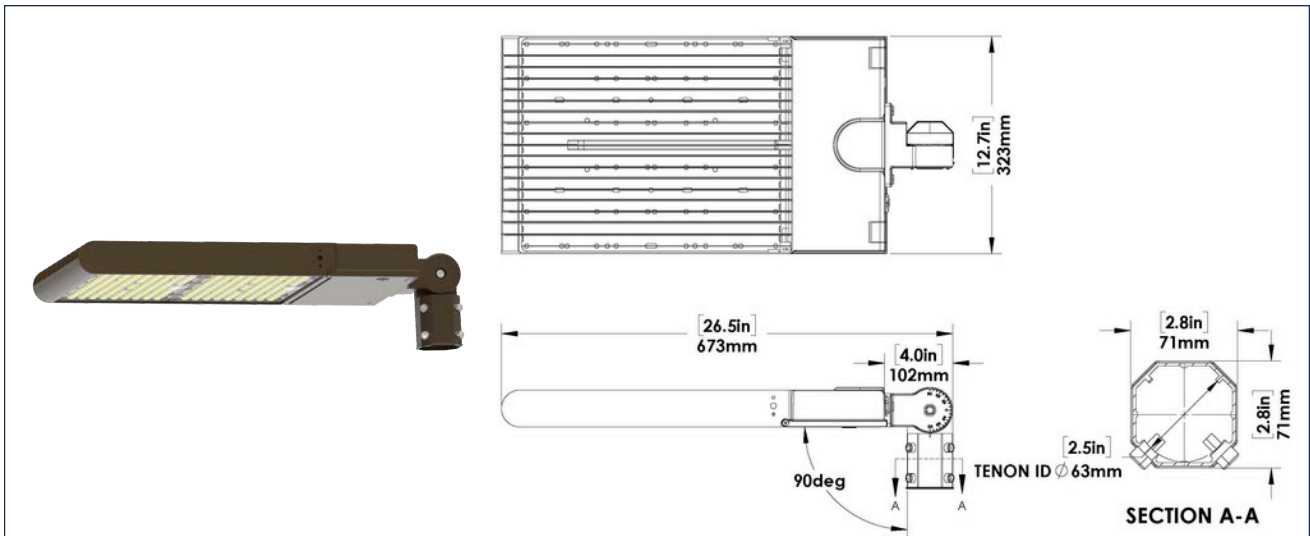
FL9S



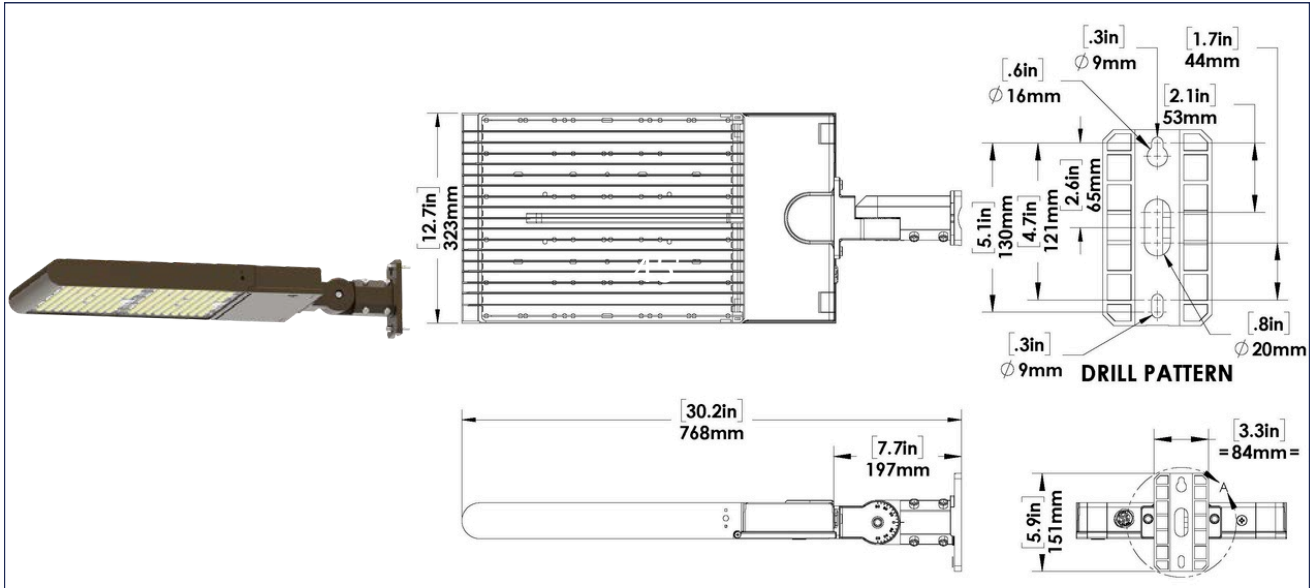
FL9S-YOKE MOUNT



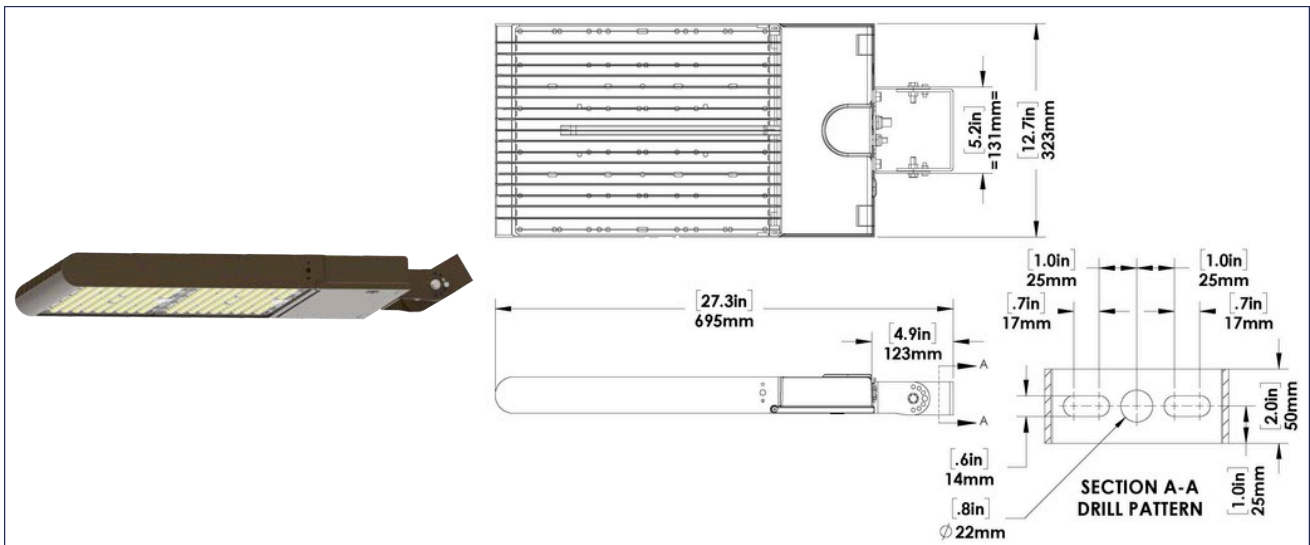
FL9S-SLIPFITTER



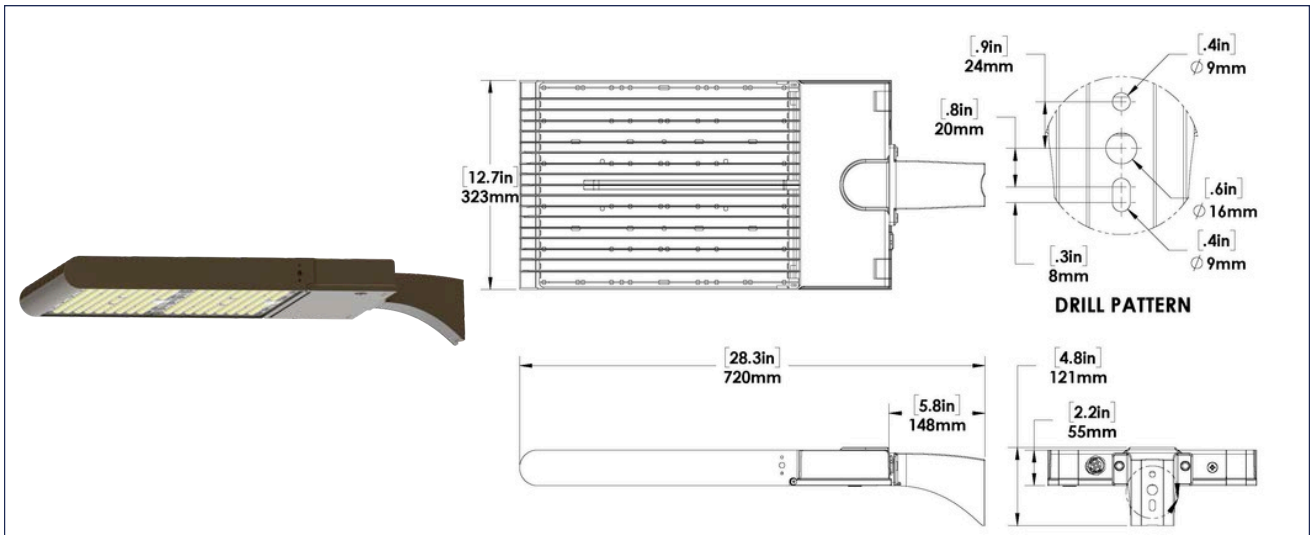
FL9S-SLIPFITTER WITH WALL ADAPTOR



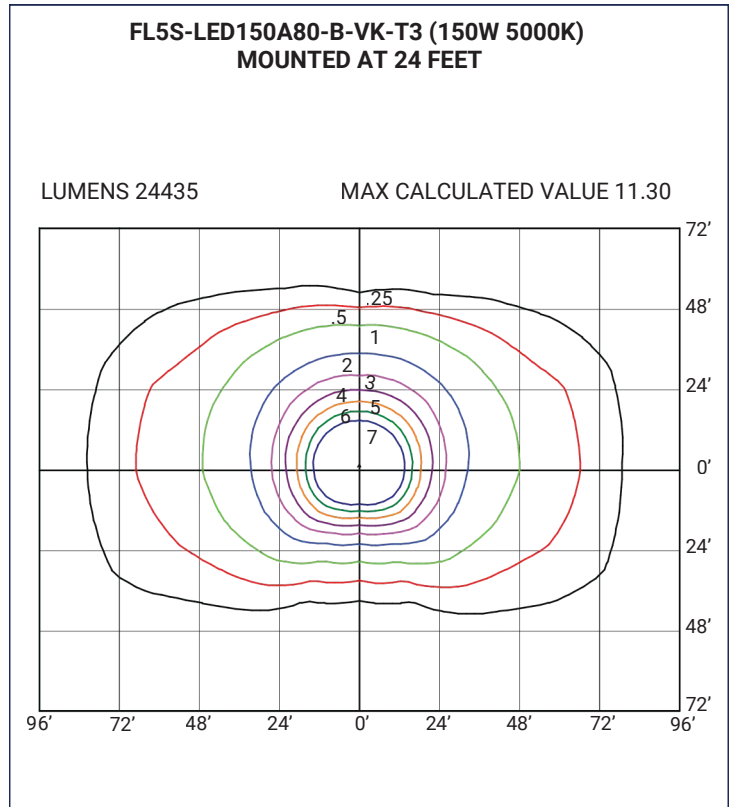
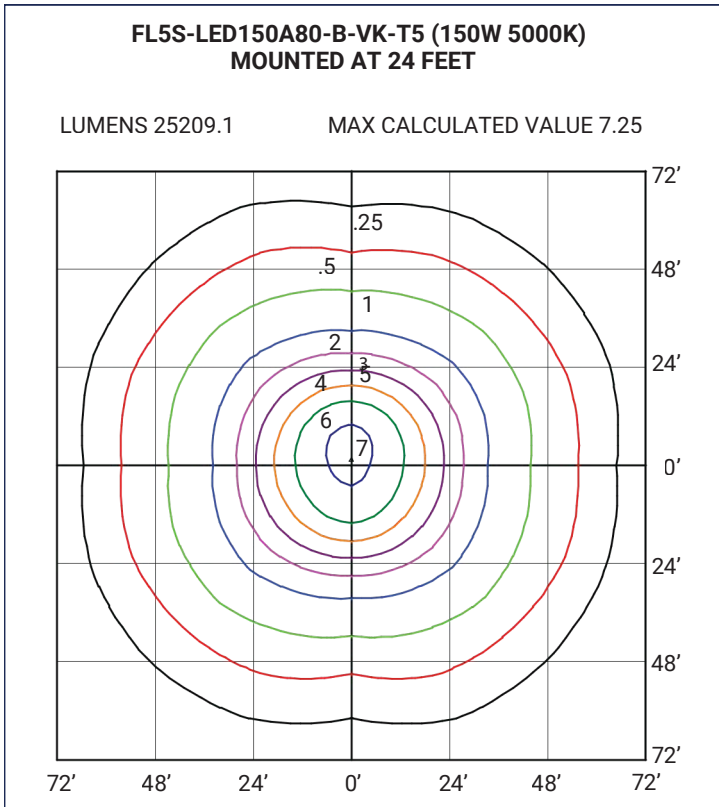
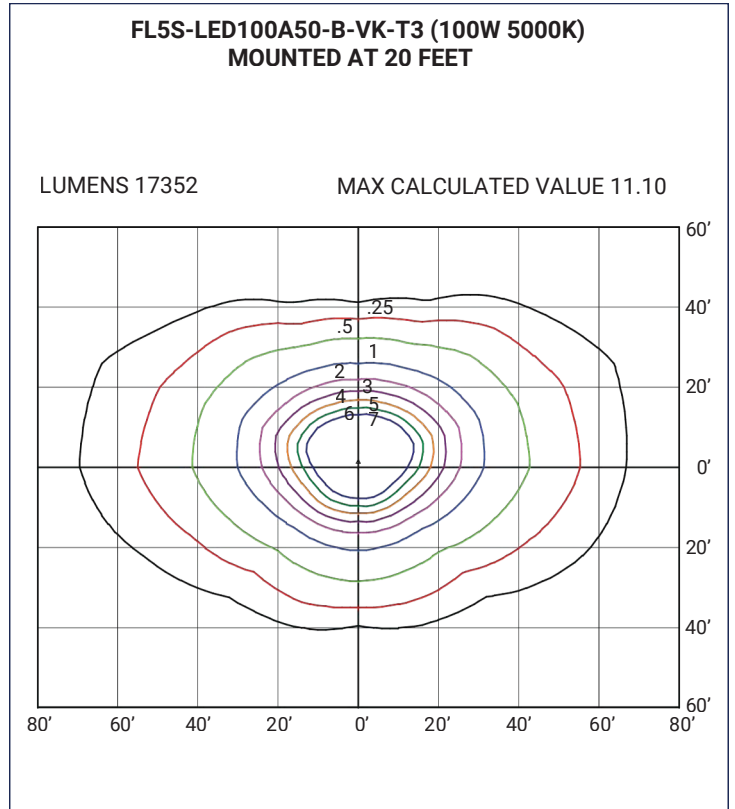
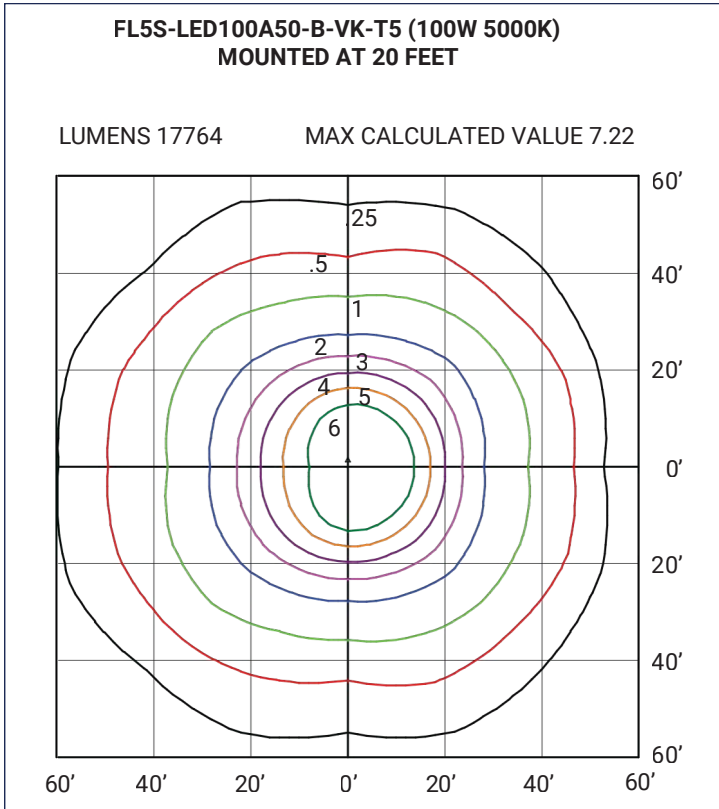
FL9S-TRUNNION



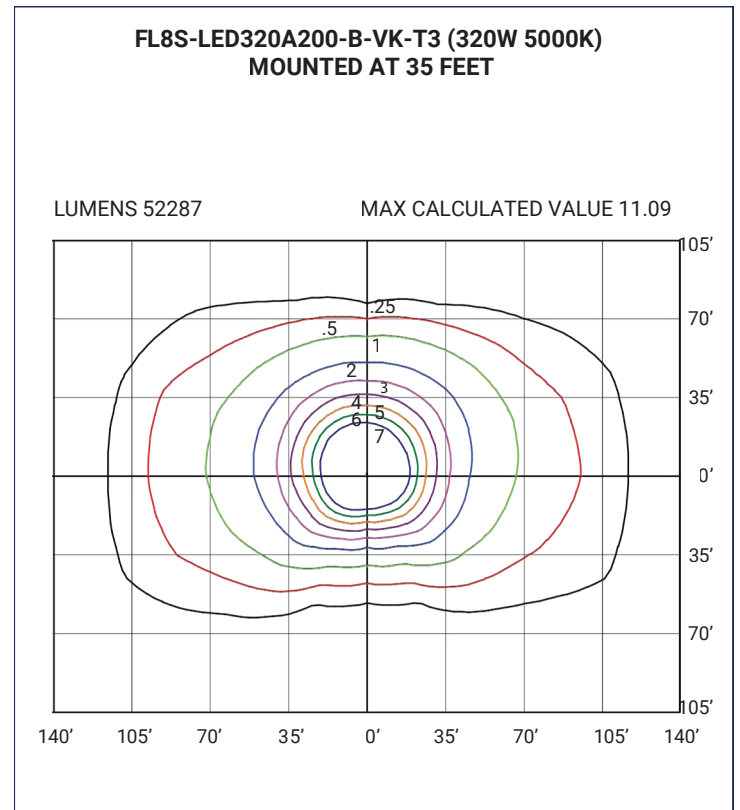
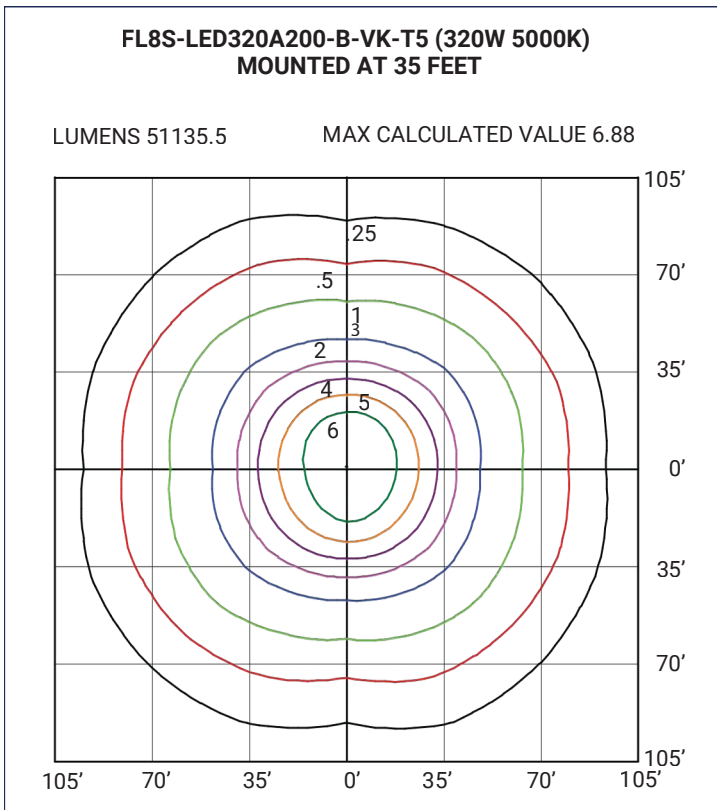
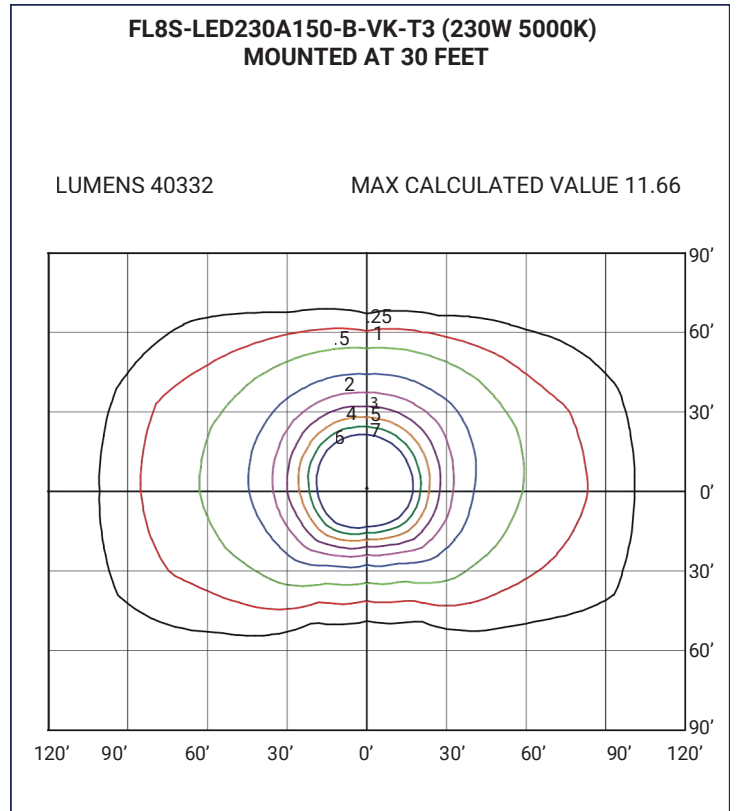
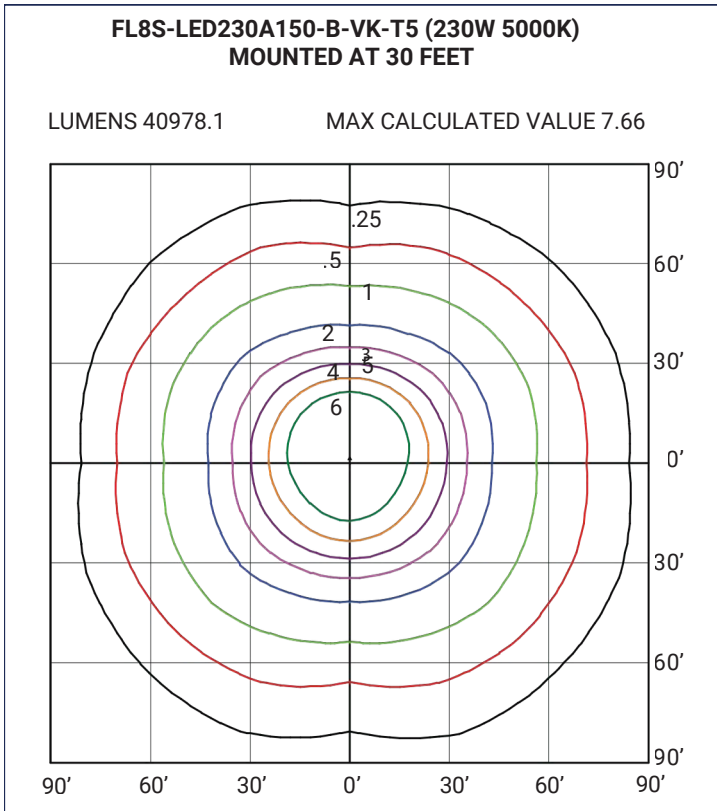
FL9S-DIRECT MOUNT



PHOTOMETRIC PLOTS



PHOTOMETRIC PLOTS



PHOTOMETRIC PLOTS

