



Traditional Wall Pack

WP Select-LED



This high-performance traditional wall pack is engineered for maximum versatility and ease of installation, making it ideal for both new construction and retrofit jobs. Features lumen output & CCT selection switch; integrated photocell sensor switch; and on-site beam distribution selection switch to easily select from different beam angles for optimized lighting.

IDEAL APPLICATIONS

- Perimeter Areas
- Commercial buildings
- Loading docks
- Entrances
- Schools

SPECIFICATIONS

	WP-LED40A20	WP-LED80A40	WP-LED120A80
PERFORMANCE			
Light Output	6000*/4500/3000 lm	12300*/9300/6200 lm	18000*/15000/12000 lm
Efficacy*	149 lm/W	154 lm/W	150 lm/W
CCT	CCT Selectable - 3000K/4000K*/5000K		
Beam Distribution	Variable Distribution (110°/90°*/60°)		
Replaces up to	175W MH	250W MH	400W MH
LED Lifetime (L80)	>100,000 Hours		
CRI	84	85	84
ELECTRICAL			
Wattage	40/30/20 W	80/60/40 W	120/100/80 W
Voltage	120-277 V, 480 V		
Surge Protection	6kV (Built-in Driver) as per IEC/EN61000-4-5		
Power Factor	≥0.9		
THD	≤15%		
MAX AMPERAGE DRAW (A)			
120V	0.35 A	0.70 A	1.05 A
208V	0.20 A	0.40 A	0.61 A
240V	0.18 A	0.35 A	0.53 A
277V	0.15 A	0.30 A	0.46 A
480V	0.09 A	0.18 A	0.26 A
AMBIENT OPERATING TEMPERATURE			
Fixture	-40°C to +50°C (-40°F to 122°F)		

CERTIFICATIONS		
cULus Listed for Canada and USA, per UL 1598, CSA C22.2 No. 250.0		
DLC Premium		
Wet location rated		
CONTROLS		
Dimming	0-10V (10% to 100% Continuous Dimming, Dim to Off)	
	Photocell*	
Sensor	DHFS - Dimming High Frequency Sensor** PCLS - Photocell CCT Lumen Sensor**	
LUMEN MAINTENANCE		
L90	L80	L70
>50000 Hours	>100000 Hours	>100000 Hours
CONSTRUCTION		
Housing	Die Cast Aluminum	
Conduit Entries	Four 1/2" NPT on sides, One 1/2" NPT on back side	
Accessories	Visor, Wire Guard, Wire Cage	
Lens	Borosilicate Glass	
Finish	Bronze*, Matte Black, Custom Finish	
Paint Specs	Weather & corrosion resistant polyester powder coated. 500 hours salt spray tested paint as per ASTM B117	
Weight	7.50 lbs	

*Default Setting: Highest wattage/ 4000K /90° Beam
**Factory Installed






Note: Electrical and Light Performance data is based on LM79 test report at 4000K, 90° and 120V.
Life hours are derived from IESNA LM-80 testing report and projected per IESNA TM-21 calculations.



WP			VK	VD		DIM		
Fixture	Wattage	Voltage	Color Temp.	Beam Distribution	Finish	Dimming	Controls	Options
WP	LED40A20	B - 120-277V*	VK - CCT Selectable (3000K/ 4000K/ 5000K)	VD - Beam Adjustable (110°/90°/60°)	BRZ - Bronze*	DIM - 0-10V Dimming	PC - Photocell *	BLANK - No External Surge Protector SP10 - 10kV Surge Protector**
	LED80A40	L - 480V			BLK - Matte Black		PCLS - Photocell-CCT-Lumen Sensor	
	LED120A80				CST - Custom Color		DHFS - Motion Sensor	

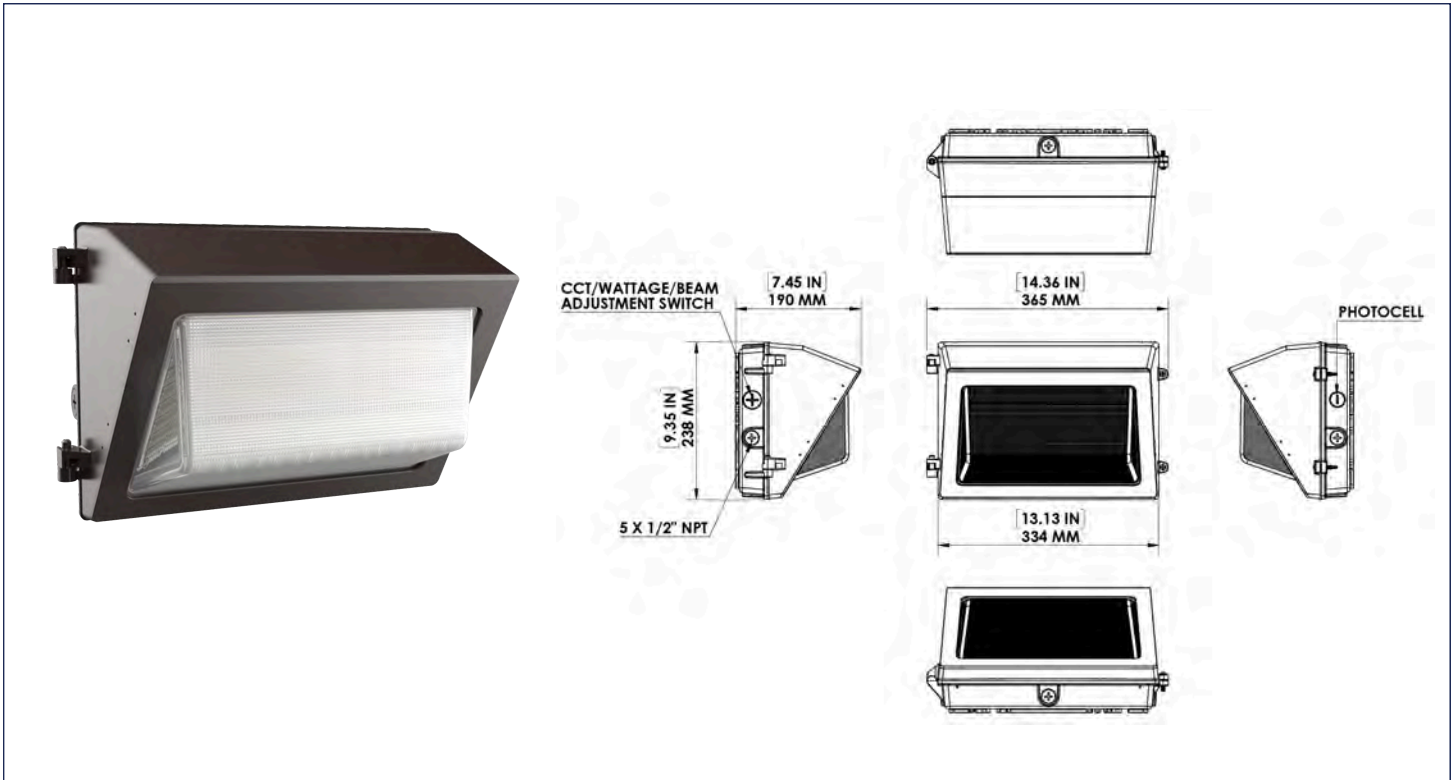
* Standard Configuration
** Standard for WP-LED120A80

STOCK CODE	
053297	WP-LED40A20-B-VK-VD-BRZ-DIM-PC
053298	WP-LED80A40-B-VK-VD-BRZ-DIM-PC
053292	WP-LED120A80-B-VK-VD-BRZ-DIM-PC-SP10

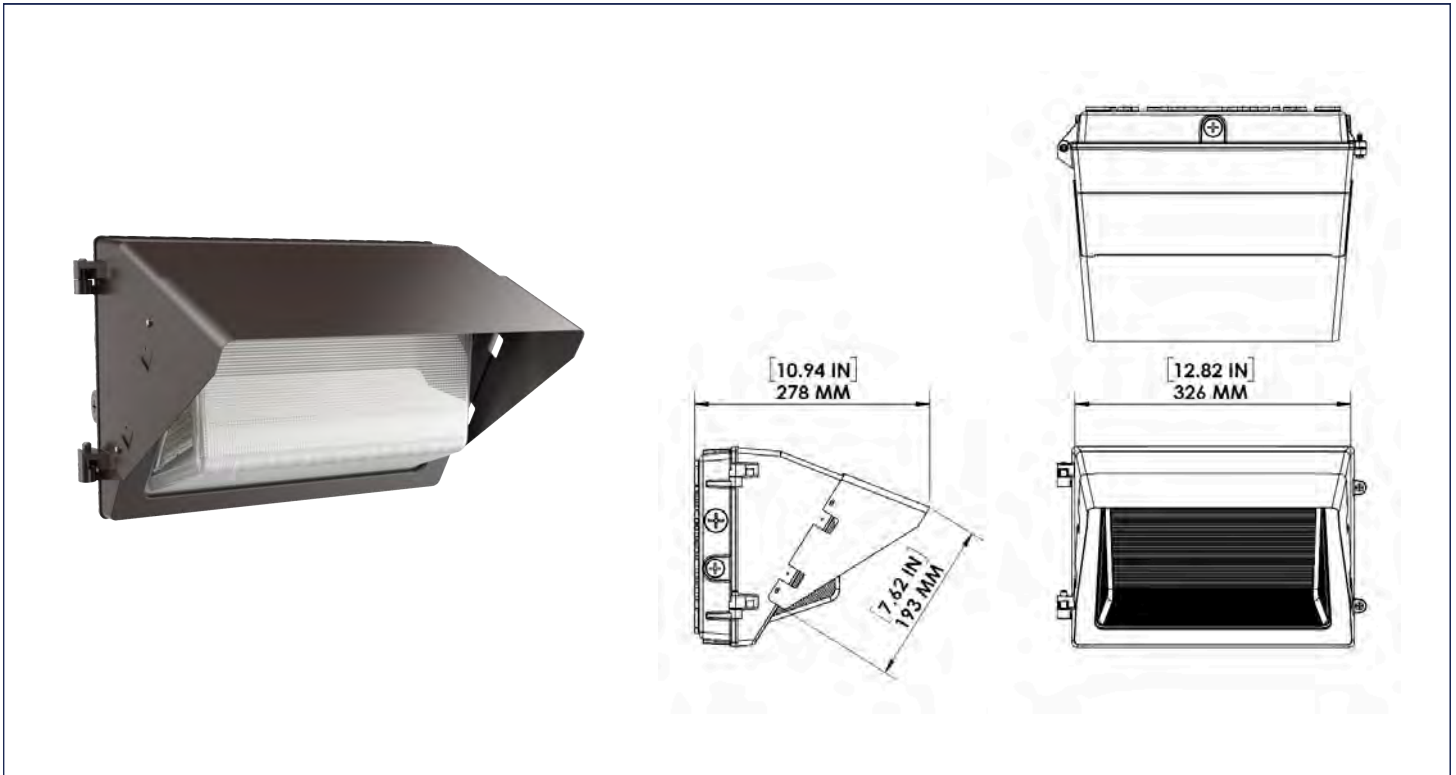
ACCESSORIES SOLD SEPARATELY			
053299	WP-LED-VD CUTOFF VISOR BRZ		052267 RC-100 MOTION SENSOR REMOTE CONTROL 
053300	WP-LED-VD WIRE GUARD		052929 RC-107 PHOTOCONTROL REMOTE CONTROL 
052129	WP WIRE CAGE CHROME PLATED STEEL		

RC-100 Remote: To be used with DHFS
RC-107 Remote: To be used with PCLS

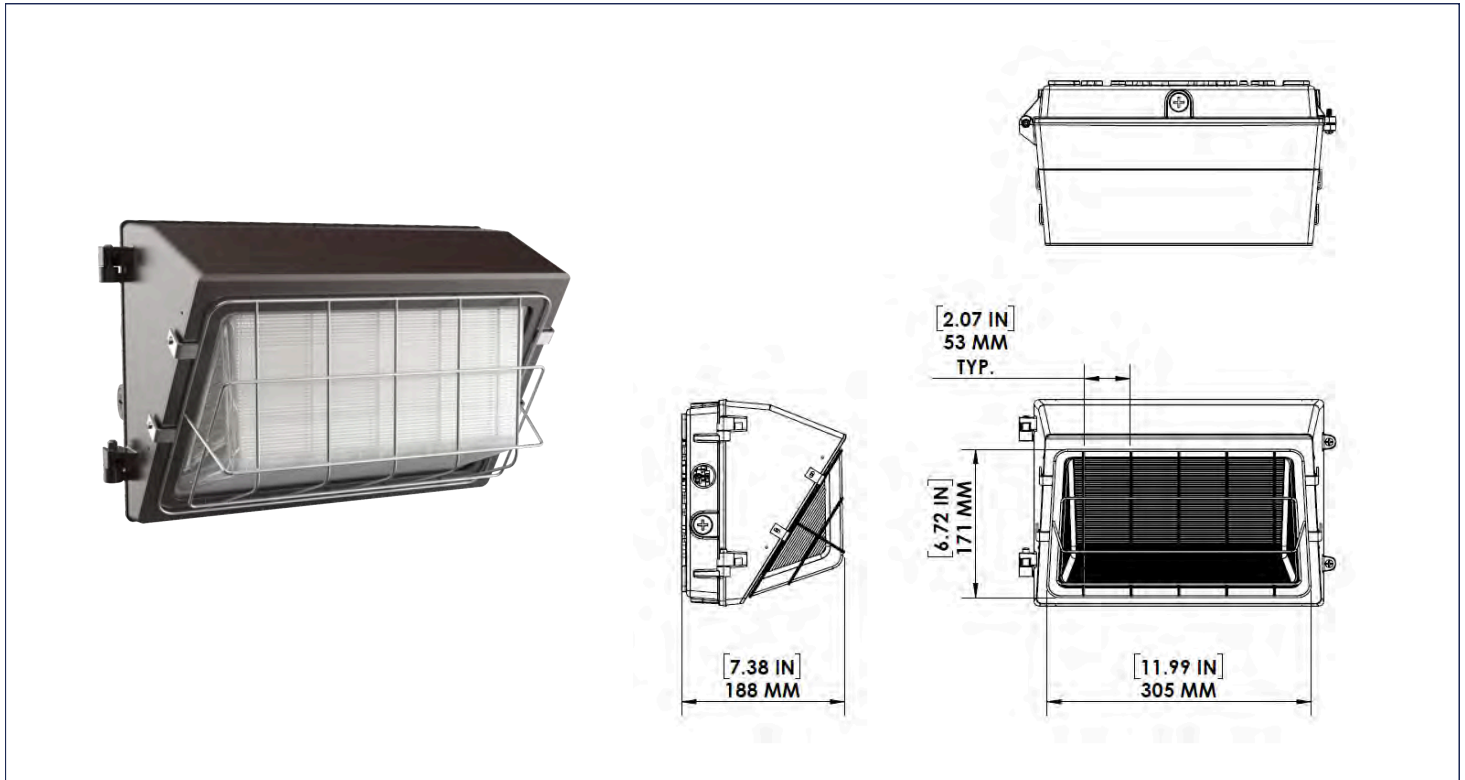
WALL PACK



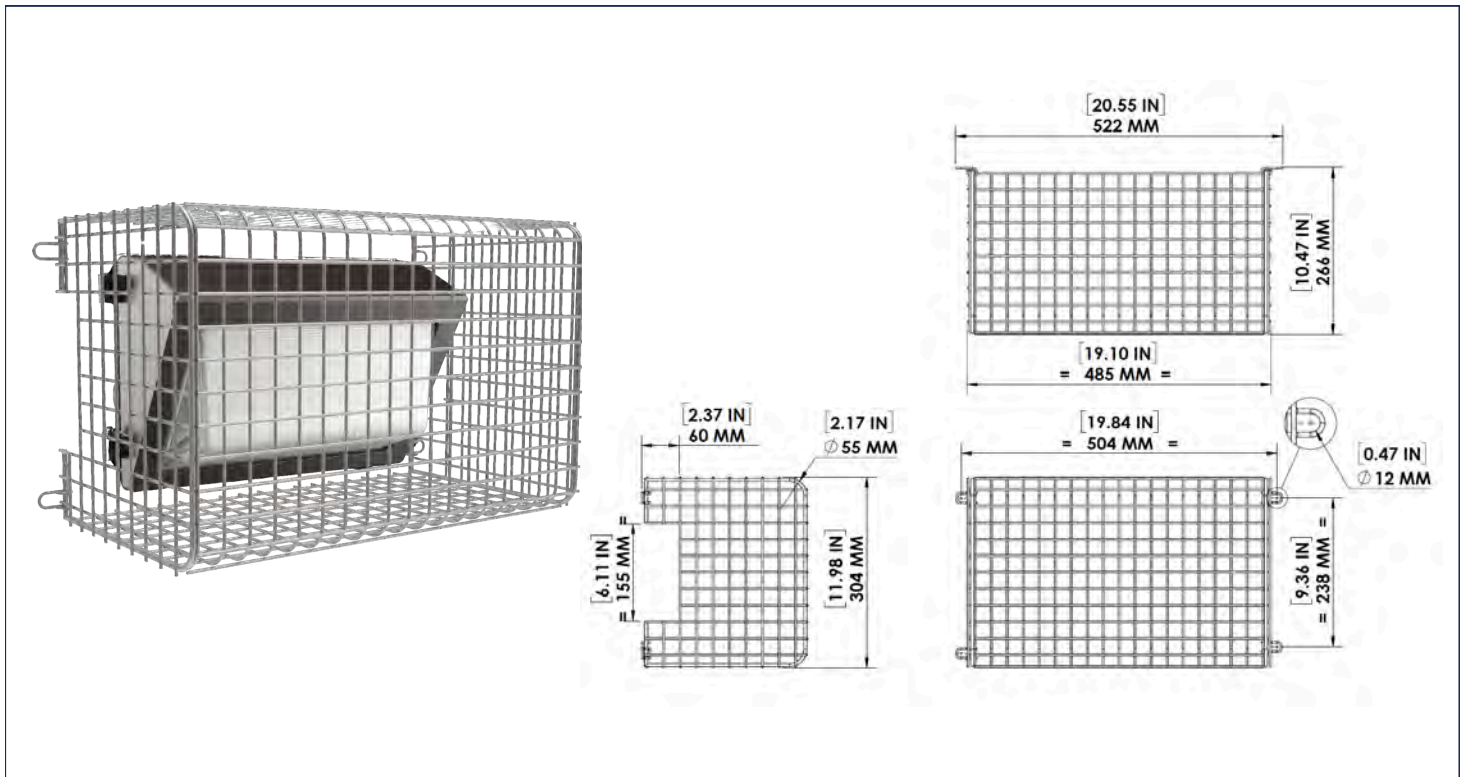
CUTOFF VISOR



WIRE GUARD



WIRE CAGE




PHOTOCELL/CCT/LUMEN SENSOR (PCLS)

PCLS Controller allows the Installer to adjust colour temperature, brightness, and photocontrol settings using a remote control after installation.



PHOTOCELL/CCT/LUMEN SENSOR (PCLS)	
Input Power	LED Input: Max. 250VDC 3A; Sensor Input: 10-14VDC, >30mA
Input Current	Max. 25mA
Control Output	0-10V Output Signals
Operate Level	10-20LUX ON, 30-80LUX OFF
Ambient Temperature	99% RH
Operating Temperature	-40°C to +70°C (-40°F to +158°F)

RC107 REMOTE SEPCIFICATIONS (For PCLS Controller)

DEFAULT FACTORY SETTING		FEATURES	
Task Light Level	100%		<p>ON: Turn on the fixture, brightness is set according to task level.</p> <p>OFF: Turn off the fixture, the fixture is permanently off.</p> <p>RESET: Task Light Level:100%; Hold Time: Disable; Photocell: Low; CCT:CCT Low (WW - 3000K)</p> <p>REPEAT: Send the same setting to different fixtures installed.</p> <p>DIM+: With each push of the button, brightness increases by 10%.</p> <p>DIM-: With each push of the button, brightness decreases by 10%;</p> <p>HOLD TIME: The "hold time" starts to count right after the fixture turns on. When the "hold time is up, the fixture adjusts to 50% brightness until the light control turns the light fixture off.</p> <p>DISABLE: When you choose disabled, the fixture maintains the task light level</p> <p>LOW: When the ambient lux is less than 30lux, the fixture turn on at the task level you set, when the ambient lux is more than 50lux, the fixture turns off.</p> <p>MIDDLE: When the ambient lux is less than 80lux, the fixture turn on at the task level you set, when the ambient lux is more than 100lux, the fixture turns off.</p> <p>HIGH: When the ambient lux is less than 150lux, the fixture turn on at the task level you set, when the ambient lux is more than 180lux, the fixture turns off;</p> <p>DISABLE: Photoelectric switch disabled:</p> <p>CCT : Adjust CCT(WW - Warm White/3000K, NW - Neutral White/4000K, CW - Cool White/5000K)</p>
Hold Time	Disable		
Photocell	Low		
CCT	CCT - NW (4000K)		

Note: Custom settings can be done based on requirements in the Factory.

DIMMING HIGH FREQUENCY MOTION SENSOR (DHFS)

DHFS Microwave motion sensor offers a range of control features based on motion detection allowing the Installer to adjust the brightness of the fixture, hold time and daylight settings using a remote control after installation.

SENSOR SPECIFICATIONS	
POWER SUPPLY	12V-24V DC
HIGH FREQUENCY SYSTEM	5.8GHZ +/-75MHZ
DIM CONTROL OUTPUT	0-10V, MAX. 25MA
DETECTION RADIUS/ANGLE	MAX 26FT (8M)/360°
MOUNTING HEIGHT	MAX 40FT
REMOTE RANGE	50FT. (15M) NO BACKLIGHT
HUMIDITY	MAX. 90% RH

DEFAULT FACTORY SETTING	
BRIGHTNESS	100%
SENSITIVITY	100%
HOLD TIME	5 MINS
DAYLIGHT SENSOR	☼ - DISABLED
STAND-BY DIM	30%
STAND-BY TIME	60 MINS



RC100 REMOTE SPECIFICATIONS (FOR DHFS CONTROLLER)

FEATURES



BRIGHTNESS: Sets the highest light fixture brightness when motion is detected.

SENSITIVITY: Sets the sensitivity to which the sensor will detect motion.

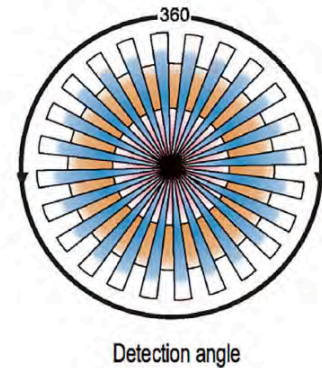
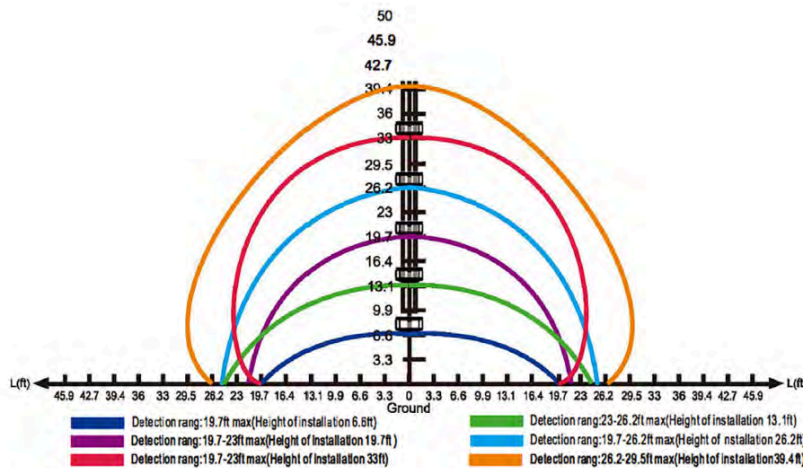
HOLD TIME: The time the light fixture will remain at the brightness setting after it detects motion.

DAYLIGHT SENSOR: The lux setting that the light fixture will turn on/off. If the ambient lux is more than the defined lux setting, the fixture & sensor function will turn off and remain off until the ambient lux is below the setting. To disable the lux sensor, select the SUN icon. To set the lux to match current room conditions, select the EYE icon.

STAND-BY DIM: The Dim level that the light fixture will dim down after the Hold Time has expired. To disable dimming and only have ON/OFF, select the 0% icon

STAND-BY TIME: The time the light fixture will remain in the dim down state before it shuts off. To disable the light from shutting off, select the INFINITY icon.

SENSOR COVERAGE



PHOTOMETRIC PLOTS

