

RDA[®]

LIGHTING

Traditional LED Bollard P6 and P8 Series



Available in custom height and custom finish

The P-Series LED Bollards combine elegant design with **high performance** and **customizable features**, making them perfect for both residential and commercial landscaping and pathway lighting. These premium bollards come in flat or dome top styles, with options for 6" or 8" diameter, ensuring versatility to suit various aesthetic preferences and lighting needs.

IDEAL APPLICATIONS

- ✓ Pathways
- ✓ Townhouses
- ✓ Condos
- ✓ Campuses
- ✓ Parkettes
- ✓ Shopping Malls

SPECIFICATIONS

	P6R	P6RD	P8R	P8RD
Shaft Diameter	6"		8"	
Top	Flat	Dome	Flat	Dome
PERFORMANCE				
Light Output	2110/1640/1230* lm		3180/2460*/1900 lm	
Efficacy	140 lm/W		126 lm/W	
CCT	CCT Selectable - 3000K/4000K*/5000K			
Beam Spread	360°			
BUG Rating	B1-U2-G1		B1-U3-G1	
CRI	> 80			
ELECTRICAL				
Wattage	15/12/9* W		25/20*/15 W	
Voltage	120-277V			
Surge Protection	4 kV as per IEC/EN61000-4-5			
Power Factor	0.99			
THD	≤ 20%			
Cord	Pre-installed 2' Power Cable (STW 18/5 600V)			
CONSTRUCTION				
Housing	Extruded Aluminum			
Lens	Clear Acrylic Lens		Clear Polycarbonate Lens	
Paint	Corrosion resistant polyester powder coating (500hrs salt spray tested)			
Height	847mm [33.3"]	919mm [36.2"]	990mm [39"]	1066mm [42"]
Weight	6.1kg [13.5lbs]		9.5kg [21.0lbs]	
Bolt Circle Diameter	4"		4.4"	

*Standard settings

MOUNTING				
Surface Mount				
OPTIONAL				
90° cutoff for 270° beam spread, 180° cutoff for 180° beam spread Frosted lens for improved light diffusion				
CONTROLS				
P6R/P6RD	0-10 V (5-100% dimming, Dim to Off)			
P8R/P8RD	0-10 V (0-100% dimming, Dim to Off)			
AMBIENT OPERATING TEMPERATURE				
-40°C to 40°C (-40°F to 122°F)				
CERTIFICATIONS				
CSA C22.2 No. 250.0-21 - Fifth Edition, UL 1598 (Fifth Edition) For Wet Locations				
MAX AMPERAGE DRAW (A)				
	120V	240V	277V	347V
P6R/RD at 9W	0.079	0.039	0.034	0.027
P6R/RD at 12W	0.105	0.053	0.045	0.036
P6R/RD at 15W	0.131	0.066	0.057	0.045
P8R/RD at 15W	0.131	0.066	0.057	0.045
P8R/RD at 20W	0.175	0.088	0.076	0.061
P8R/RD at 25W	0.220	0.109	0.095	0.076
LUMEN MAINTENANCE				
	L70	L80	L90	
	> 125,000 Hrs	> 100,000 Hrs	> 50,000 Hrs	

Note: Reported performance values were tested at 120V and 4000K for the highest wattage setting. Life hours are derived from IESNA LM-80 testing report and projected per IESNA TM-21 calculations.



ORDERING GUIDE



Fixture	Wattage	Voltage	Color Temp.	Optional Cutoff	Finish	Dimming	Lens Options
P6R P6RD	LED15A9	B - 120-277V	VK - CCT Selectable 3000K/4000K/ 5000K	Blank - None* C90 - 90° cutoff	SBK - Sandtex Black* BRZ - Bronze*	DIM - 0-10V Dimming	Blank - Clear lens* FR - Frosted lens
P8R P8RD	LED25A15			C180 - 180° cutoff	BLK - Matte Black CST - Custom Color		

*Standard configuration

Custom bollard height is available as a Special order, please consult with RDA's CS team.

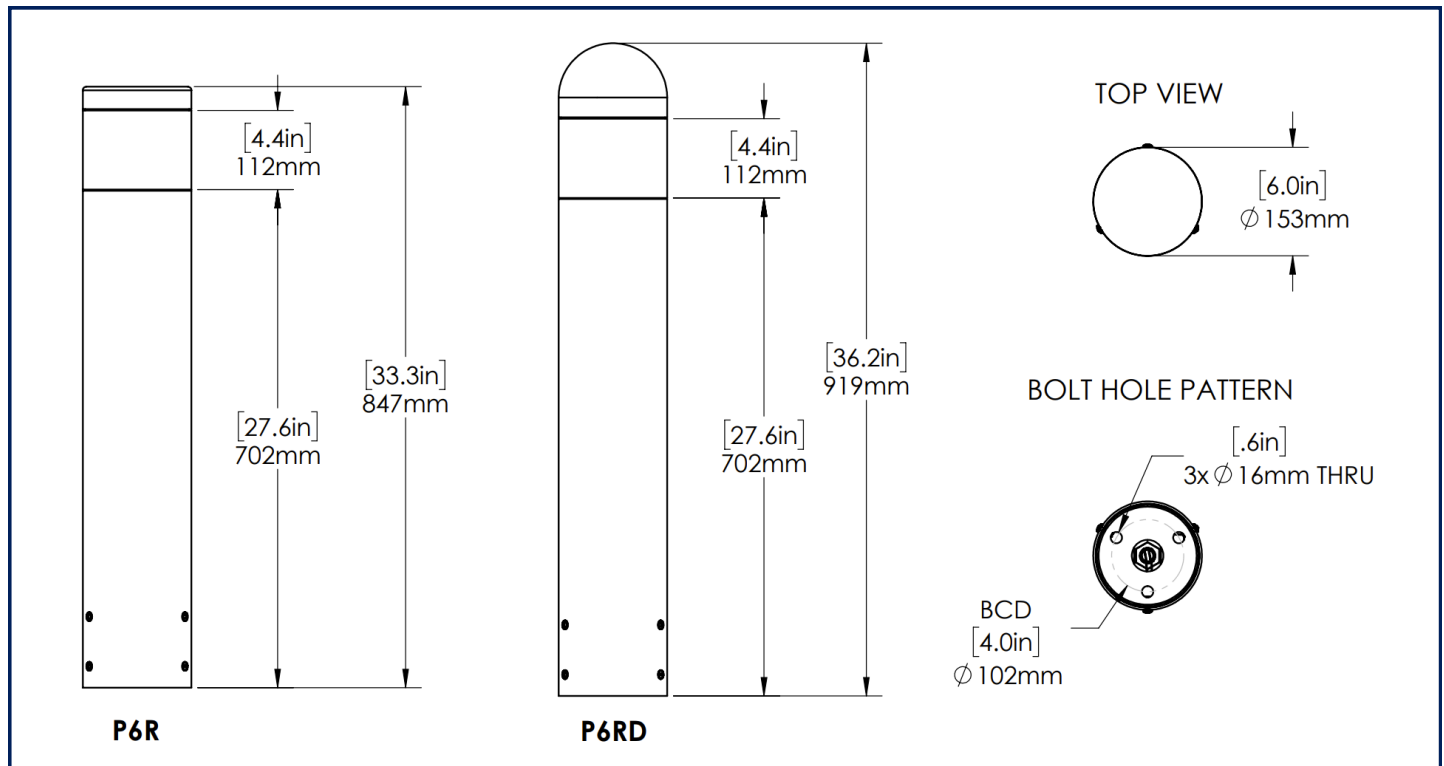
P6R/P6RD Default setting: 9W and 4000K.

P8R/P8RD Default setting: 20W and 4000K.

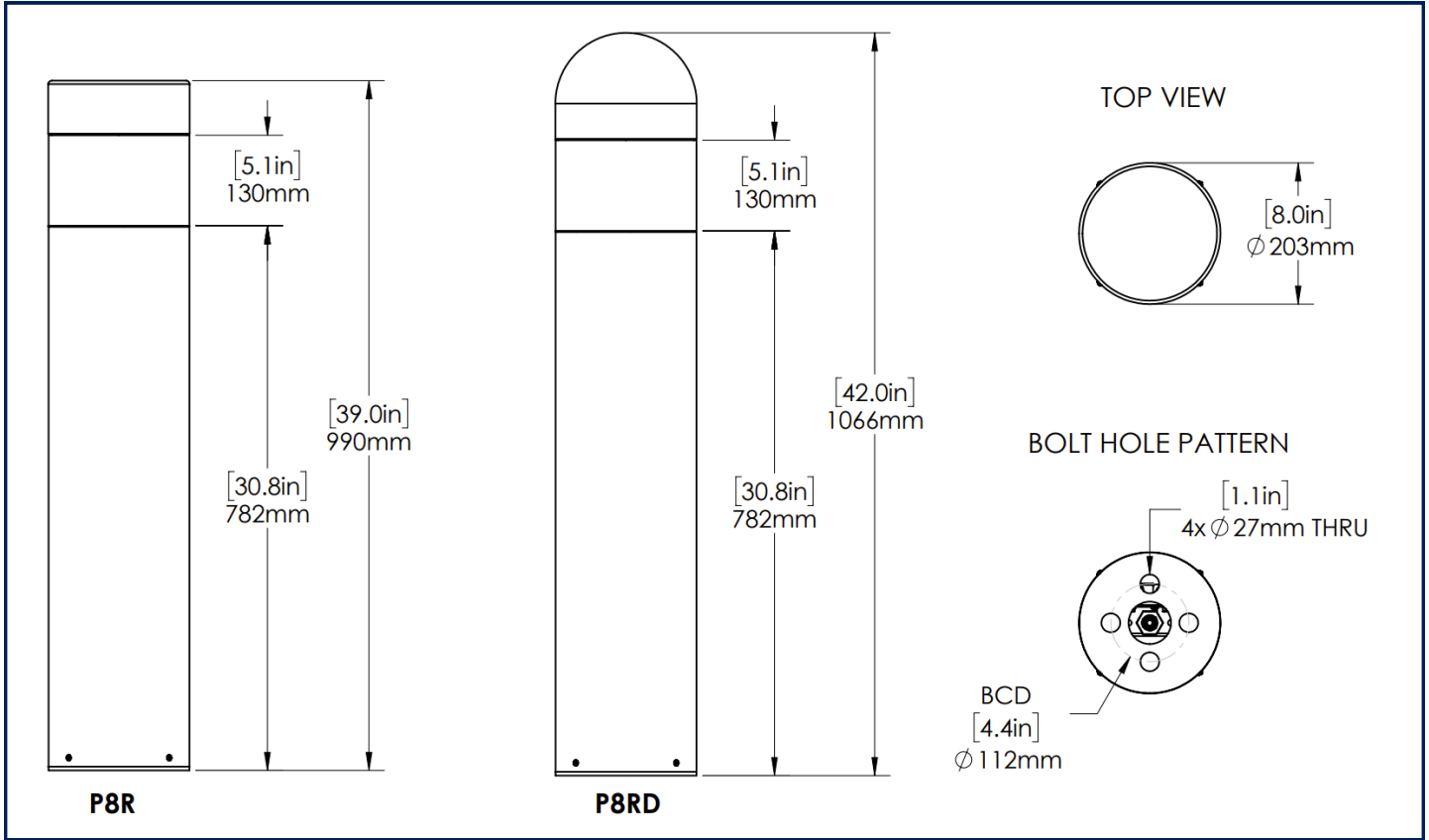
STOCK CODE	DESCRIPTION	INCLUDED IN THE BOX	P6R/RD	P8R/RD
053253	P6R-LED15A9-B-VK-SBK-DIM	TEMPLATE		
053254	P6RD-LED15A9-B-VK-SBK-DIM			
053255	P6R-LED15A9-B-VK-BRZ-DIM	ANCHOR BOLT SET		
053256	P6RD-LED15A9-B-VK-BRZ-DIM			
053263	P8R-LED25A15-B-VK-SBK-DIM			
053264	P8RD-LED25A15-B-VK-SBK-DIM			
053265	P8R-LED25A15-B-VK-BRZ-DIM			
053262	P8RD-LED25A15-B-VK-BRZ-DIM			

DIMENSIONS

P6R/RD



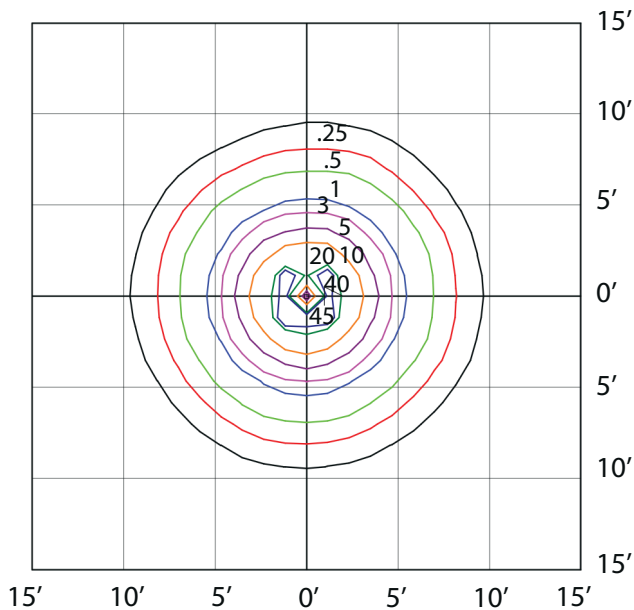
P8R/RD



PHOTOMETRIC PLOTS

P6R/RD-LED15A9-B-VK-DIM
(15W 120V 4000K)

Total Lumens = 1890LM Max. Calculated Value = 55.31 Fc



P8R/RD-LED25A15-B-VK-DIM
(25W 120V 4000K)

Total Lumens = 3054LM Max. Calculated Value = 36.23 Fc

