

INSTALLATION INSTRUCTIONS



ELECTRICAL SHOCK HAZARD

READ, UNDERSTAND, and FOLLOW these instructions before installing the equipment.

WARNING

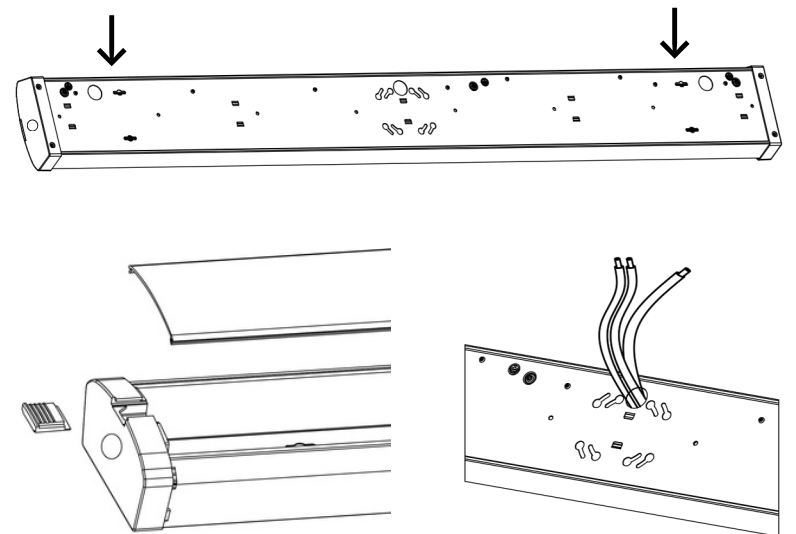
Disconnect the Electrical supply power at the service panel (fuse or circuit breaker box). Failure to do so could result in serious injury or death. Only qualified electricians should install this fixture and the installation **MUST** conform to the Electrical Code and all local codes and ordinances. Ensure that only proper tools, materials, and equipment are used to complete the installation.

SAFETY

- Proper grounding is required to ensure personal safety.
- Fixture should be mounted in locations where unauthorized personnel will not readily subject it to tampering.
- Do not use this equipment for anything other than its intended purpose.
- Servicing this equipment should be performed by qualified service personnel.
- Save these instructions.

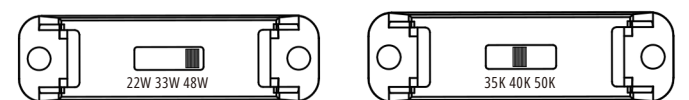
INSTALLATION

- Install the (4) wall anchor screws at these distances centre to centre:
4' fixture = 36-3/16" (919mm)
2' fixture = 28-5/8" (727mm)
- Pull out the end cap tabs and carefully pop off lens
- Make appropriate wiring connections inside a junction box as per the wiring diagram
- Align the wall anchor screws with the fixture keyholes
- Push/pull the fixture to lock it in place and tighten the screws
- Attach the lens



CCT & WATTAGE SELECTABLE SWITCH

- CCT & Wattage selectable switch is accessed by pulling out the end cap and carefully popping off lens. Can switch between 3500K, 4000K, and 5000K CCT. 4000K is default. Can switch between 48W, 33W, and 22W Wattage. 48W is default.



WIRING

- Check that the line voltage is correct.
- Connect fixture **GROUND** (green) wire to power supply **GROUND** (green) wire.
- Connect fixture **WHITE** wire to power supply **NEUTRAL** wire.
- Connect fixture **BLACK** wire to power supply **LINE** wire
- If the fixture includes 1-10V dimming functionality, connect **GREY** and **VIOLET** wires to the dimming controller.

