

INSTALLATION INSTRUCTIONS



ELECTRICAL SHOCK HAZARD

READ, UNDERSTAND, and FOLLOW these instructions before installing the equipment.

WARNING

Disconnect the Electrical supply power at the service panel (fuse or circuit breaker box). Failure to do so could result in serious injury or death. Only qualified electricians should install this fixture and the installation **MUST** conform to the Electrical Code and all local codes and ordinances. Ensure that only proper tools, materials, and equipment are used to complete the installation.

SAFETY

- Proper grounding is required to ensure personal safety.
- Fixture should be mounted in locations where unauthorized personnel will not readily subject it to tampering.
- Do not use this equipment for anything other than its intended purpose.
- Servicing this equipment should be performed by qualified service personnel.
- Save these instructions.
- **MIN 90 °C SUPPLY CONDUCTOR**

TOOLS REQUIRED

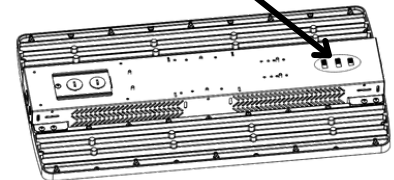
- Drill Tool (Optional)
- Philips Screwdriver

CCT, WATTAGE & BEAM SELECTABLE SWITCHES

The CCT, Wattage, and Beam Selectable switches are included in every luminaire and can be accessed on the top of the fixture [1.1]

SWITCH	OPTIONS	DEFAULT
CCT	3500K/4000K/5000K	4000K
Wattage	Varies Between Models	Highest Wattage
Beam	45°x100°/65°x95°/90°x90°	90°x90°

CCT, Wattage & Beam Select Switches

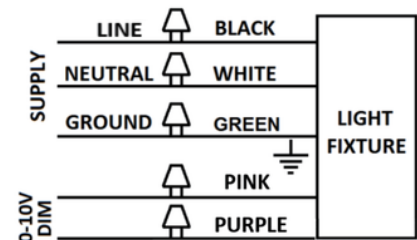


1.1

WIRING

Wire as per the wiring diagram. [2.1]

- Check that the line voltage is correct.
- Connect fixture **GROUND** (green) wire to power supply **GROUND** (green) wire.
- Connect fixture **WHITE** wire to power supply **NEUTRAL** wire.
- Connect fixture **BLACK** wire to power supply **LINE** wire.
- The fixture includes 0-10V dimming functionality. Optional: Connect **PINK** and **PURPLE** wires to the dimming controller.



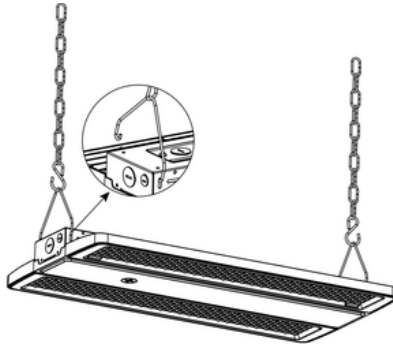
2.1

INSTALLATION INSTRUCTIONS

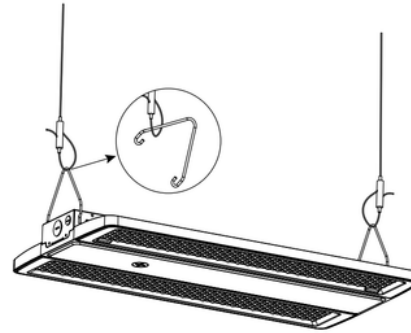
INSTALLATION

SUSPENDED MOUNT

1. Attach the chains (included with the fixture) or the aircraft cables (sold separately) securely to the ceiling, adjusting them to the desired length.
2. Attach the supplied suspension hooks to the chains or aircraft cables.
3. Snap the suspension hook into the fixture at the specified location. [3.1] [3.2]
4. Make appropriate wiring connections as per the wiring diagram [2.1].



[3.1]



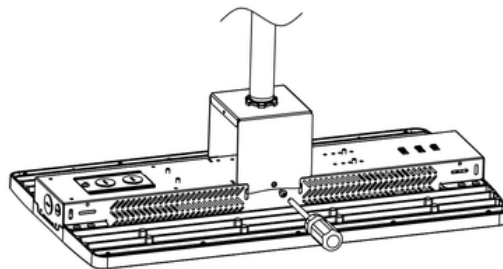
[3.2]

PENDANT MOUNT (SOLD SEPARATELY)

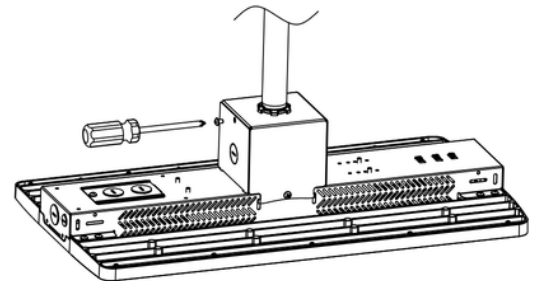
1. Attach 3/4" NPT Pipe to the pendant mount bracket (pipe and 3/4" NPT nut not provided). [4.1]
2. Attach the pendant mount bracket assembly to the fixture using the screws included in the kit. [4.2]
3. Make appropriate wiring connections as per the wiring diagram [2.1].
4. Attach the side panels of the junction box. [4.3]



[4.1]



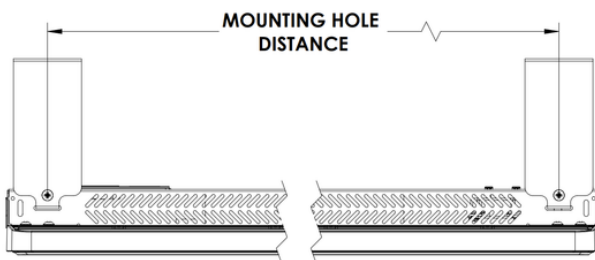
[4.2]



[4.3]

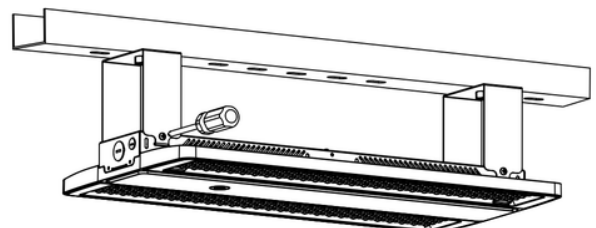
SURFACE MOUNT (SOLD SEPARATELY)

1. Attach the surface mount brackets to the ceiling or rail keeping . [5.1]
2. Mount the fixture onto the brackets and secure using the included screws. [5.2]
3. Make appropriate wiring connections according to the wiring diagram [2.1].



FIXTURE	MOUNTING HOLE DISTANCE
LHA1	330mm [12.99in]
LHA2	500mm [19.68in]

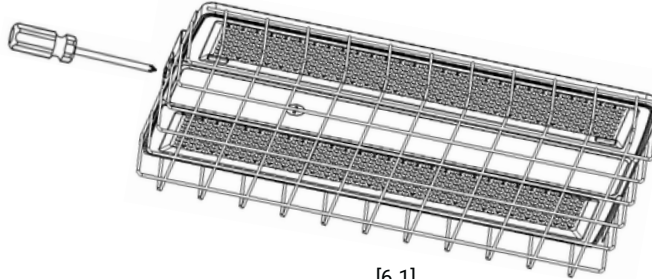
[5.1]



[5.2]

INSTALLATION INSTRUCTIONS**WIRE CAGE (SOLD SEPARATELY)**

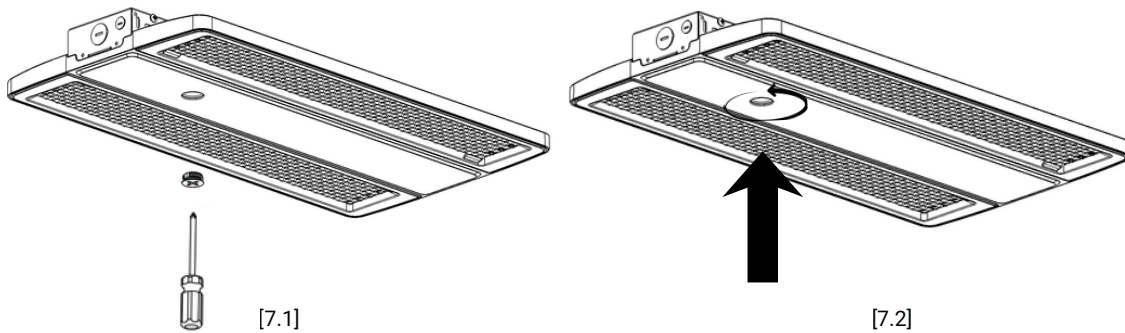
Attach wire cage to the fixture using the included hardware. [6.1]



[6.1]

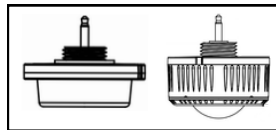
MOTION SENSOR/WIRELESS DIMMER (SOLD SEPARATELY)

1. The fixture comes with the sensor receptacle installed. Unscrew the 1/2" plug. [7.1]
2. Remove the plastic cap on the audio jack of the sensor and plug and twist-lock the sensor onto the receptacle. [7.2]
3. Program the sensor [7.3] using the RC-100 remote control (please refer to the next page).



[7.1]

[7.2]



[7.3]

INSTALLATION INSTRUCTIONS

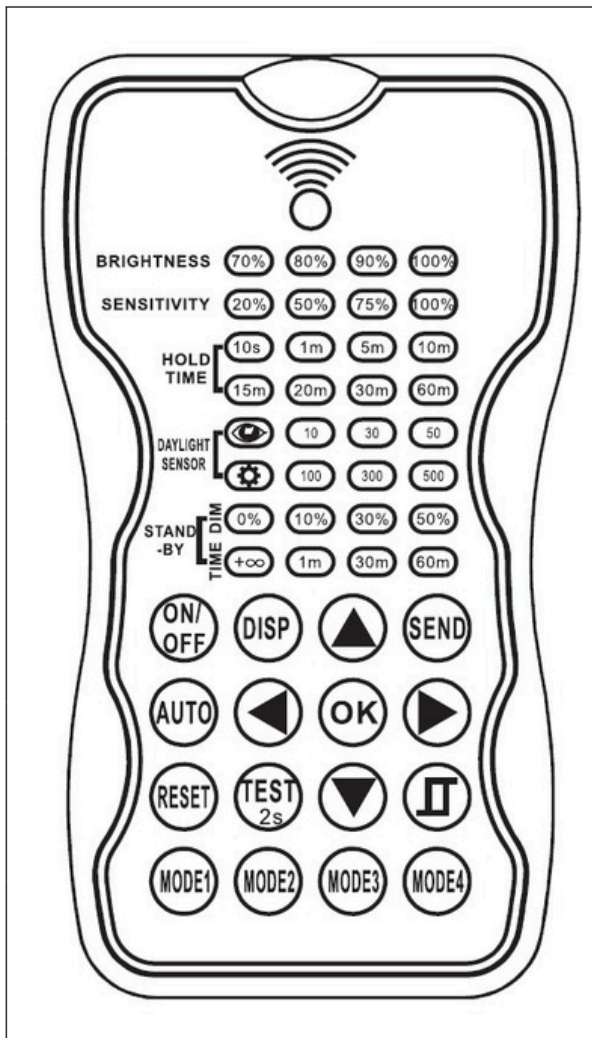
PROGRAMMING DHFS AND PIR MOTION SENSORS

For DHFS and PIR models (non-bluetooth motion sensors), program the sensors using the RC-100 remote control.

RC-100 REMOTE SPECIFICATIONS

Power Supply	2 x AAA 1.5V Batteries
Communication Protocol	940 nm Infrared Tx & Rx
Communication Range	Up to 15m (50ft)
Operating Temperature	0°C to 50°C (32°F to 122°F)
Dimensions	123x70x20.3mm (4.84"x2.76"x0.8")

RC-100 REMOTE FEATURES



BRIGHTNESS:
Sets the highest light fixture brightness when motion is detected.

SENSITIVITY:
Sets the sensitivity to which the sensor will detect motion.

HOLD TIME:
The time the light fixture will remain at the brightness setting after it detects motion.

DAYLIGHT SENSOR:
The lux setting that the light fixture will turn on/off. If the ambient lux is more than the defined lux setting, the fixture & sensor function will turn off and remain off until the ambient lux is below the setting. To disable the lux sensor, select the **SUN** icon. To set the lux to match current room conditions, select the **EYE** icon.

STAND-BY DIM:
The Dim level that the light fixture will dim down after the Hold Time has expired.

To disable dimming and only have ON/OFF, select the **0%** icon.

STAND-BY TIME:
The time the light fixture will remain in the dim down state before it shuts off. To disable the light from shutting off, select the **INFINITY** icon.

INSTALLATION INSTRUCTIONS

RC-100 REMOTE INSTRUCTIONS

KEY	FUNCTION					
	Light fixture will be set to permanently stay ON or OFF. Must press AUTO button to go back to sensor mode.					
	Displays the current remote-control parameters.					
	Navigate through the remote-control parameters and sets them to the desired settings. NOTE: These settings are not yet set on the light fixture sensor. The remote needs to be pointed at the light fixture sensor, and the SEND button needs to be pushed.					
	Uploads the selected remote-control parameters to the light fixture sensor. The light fixture will turn on and off as confirmation the new settings have been set.					
	Light fixture sensor is set to sensor mode with the last sent parameters. This must be pressed to exit the ON/OFF setting.					
	Resets the light fixture sensor parameters. Default Settings:					
	Brightness	Sensitivity	Hold Time	Daylight Sensor	Stand-by Dim	Stand-by Time
	100%	100%	5 minutes	Disabled	DIM: 30%	60 minutes
	For Testing sensitivity only. The Standby period and daylight sensor are disabled in this mode. Must press AUTO button to go back to sensor mode.					
	Photocell Function: If this function is turned on, it is set to a specific lux setting (10, 30, 50, 100, 300, 500). When the lux level exceeds this setting, the sensor will wait and monitor for 1 minute to confirm the lux level is not temporary. After 1 minute, the lights will turn off even when the space is occupied. When the lux level goes below this setting, the light will turn on and remain on without any detected motion. This feature is disabled by default and is intended for outdoor use only.					
	Four modes are available with pre-set parameters. Any mode can be customized by following the steps below: 1. Select mode 1, 2, 3, or 4. 2. press the ARROW BUTTONS to choose the new parameters. 3. Select OK to confirm the new settings on that mode. NOTE: These settings are not yet set on the light fixture sensor. The remote needs to be pointed at the light fixture sensor, and the SEND button needs to be pushed. NOTE: Modes 2, 3, and 4 all have the same default settings. See instructions to change defaults.					
	Mode Default Settings	Brightness	Sensitivity	Hold Time	Daylight Sensor	Stand-by Dim
	100%	100%	5 minutes	Disabled	30%	Disabled
	70%	20%	10 seconds	Disabled	0%	Disabled