

INSTALLATION INSTRUCTIONS



ELECTRICAL SHOCK HAZARD

READ, UNDERSTAND, and FOLLOW these instructions before installing the equipment.

WARNING

Before installing, disconnect the Electrical supply power at the service panel (fuse or circuit breaker box). Failure to do so could result in serious injury or death. Only qualified electricians should install this fixture and the installation **MUST** conform to the Electrical Code and all local codes and ordinances. Ensure that only proper tools, materials, and equipment are used to complete the installation.

SAFETY

- Proper grounding is required to ensure safety.
- Fixture should be mounted in locations where unauthorized personnel will not readily subject it to tampering.
- Do not use this equipment for anything other than its intended purpose.
- Servicing this equipment should be performed by qualified service personnel.
- Save these instructions.
- **MIN 90 °C SUPPLY CONDUCTOR**

INSTALLATION

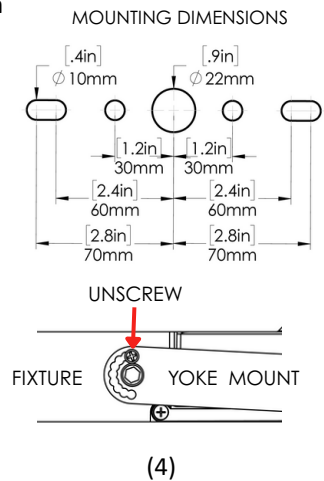
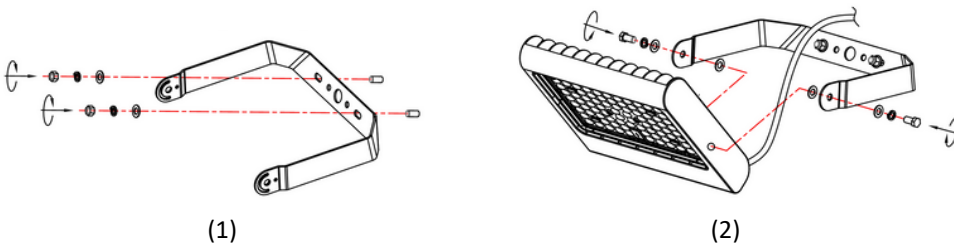
Note: All the mounting accessories are being sold separately.

TOOLS REQUIRED

- Allen key
- Wrench

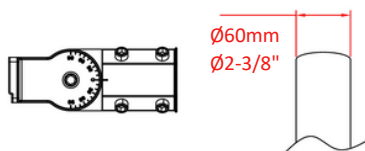
YOKE MOUNT

1. Fix the yoke mount to a surface using the appropriate hardware and methods.
2. Fix the fixture to the yoke mount with the supplied hardware at the desired angle.
3. Make appropriate connections as per wiring diagram on page 3.
4. Adjust the angle of the fixture by loosening the screw on each side of the yoke mount, adjust the angle and then tighten the screw to secure.

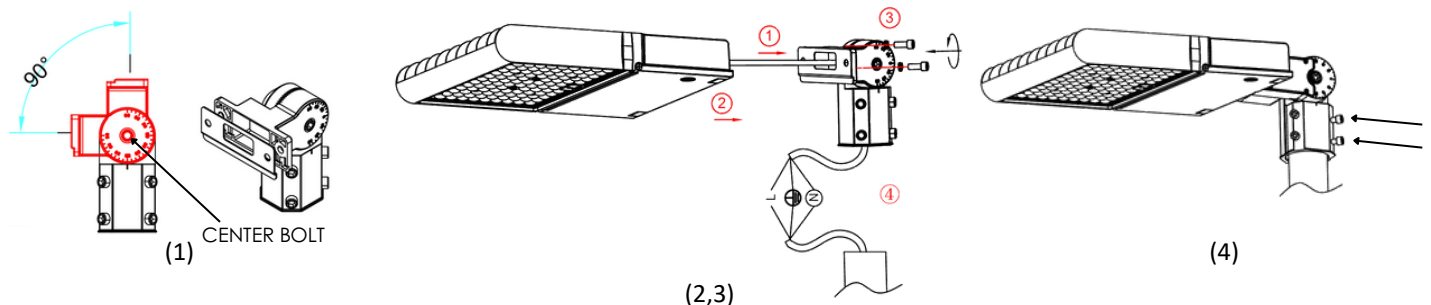


SLIP FITTER MOUNT

For use on 2-3/8" Diameter Tenon.



1. Loosen the center bolt and angle the slip fitter to a 90° angle for ease of fixture installation.
2. Pass the fixture wires through the slip fitter and install the fixture onto the mount end with the supplied hardware.
3. Tighten the the center bolt at the desired angle, and make appropriate connections as per wiring diagram on page 3.
4. Fix the slip fitter to the mounting pole by tightening the mounting bolts.

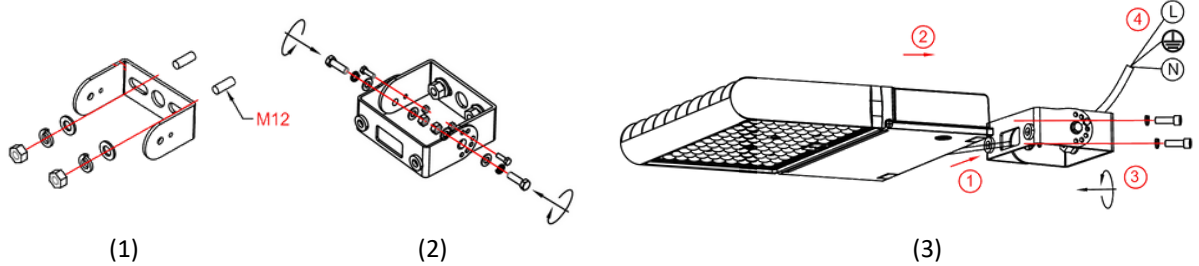
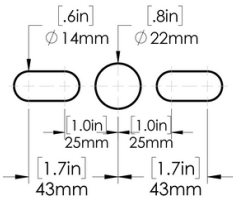


INSTALLATION INSTRUCTIONS

TRUNNION MOUNT

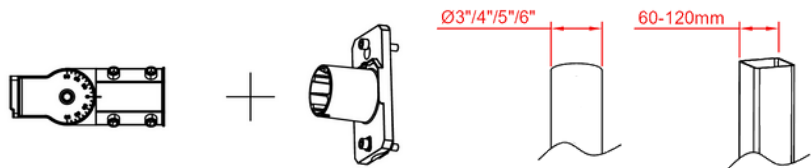
1. Fix the trunnion wall mounting bracket to the surface using the appropriate hardware and methods.
2. Secure the mount end of the trunnion to the fixed mounting bracket with the supplied hardware. Secure the mount end at an angle for ease of installation access.
3. Pass the fixture wires through the trunnion and secure the fixture on the mount end with supplied hardware. Make appropriate connections as per wiring diagram on page 3 and adjust trunnion to desired angle.

MOUNTING DIMENSIONS



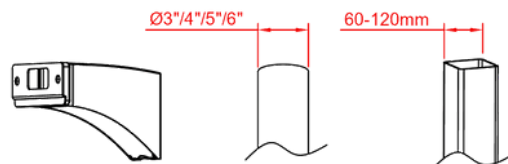
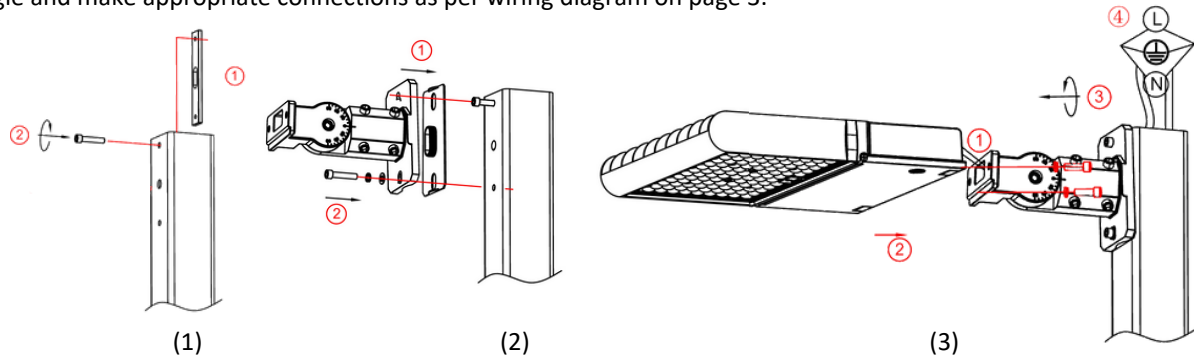
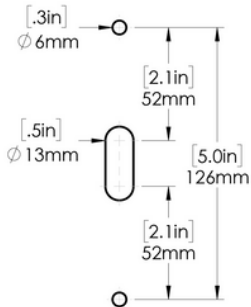
SLIP FITTER WITH ADAPTOR MOUNT

For use on circular or square poles.



1. Place the back plate behind the mounting surface and secure it with 1 bolt through the top hole.
2. Place the slip fitter with adaptor onto the pole by hanging it on the bolt previously screwed in. Fix the slip fitter with adaptor to the pole using the bottom adaptor hole and screwing into the back plate with the supplied hardware.
3. Pass the fixture wires through the slip fitter and secure the fixture on the mount end with supplied hardware. Secure the slip fitter at the desired angle and make appropriate connections as per wiring diagram on page 3.

MOUNTING DIMENSIONS

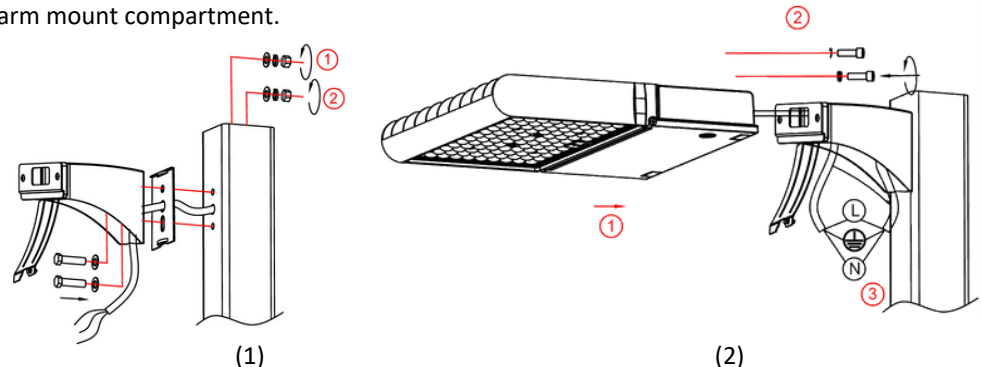
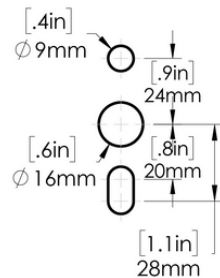


DIRECT MOUNT

For use on circular or square poles.

1. Open the arm mount compartment, pass wiring through, and fix arm mount to mounting surface with supplied hardware.
2. Secure the fixture on the mount end with supplied hardware. Make appropriate connections as per wiring diagram (on page 3) in the arm compartment, and then close arm mount compartment.

MOUNTING DIMENSIONS



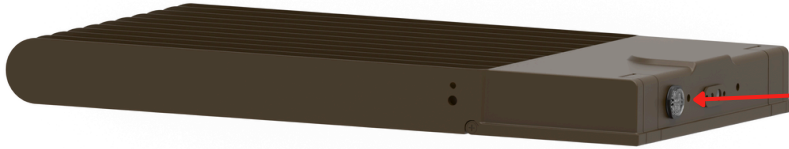
INSTALLATION INSTRUCTIONS

PHOTOCELL, LUMEN AND CCT SWITCH

One location with all three controls is accessible by removing the cover on the back side of the fixture.

Adjust to desired settings and reinstall cover.

Default settings: Photocell ON, 4000K, Maximum Wattage



Photocell	ON	Fixture will turn off when light is detected				
	OFF	Fixture will NOT turn off when light is detected				
CCT	3K	3000K				
	4K	4000K				
	5K	5000K				
Wattage	MODEL	FL5S-LED100A50	FL5S-LED150A80	FL8S-LED230A150	FL8S-LED320A200	FL9S-LED400A300
	L	50W	80W	150W	200W	300W
	M	80W	100W	200W	240W	350W
	H	100W	150W	230W	320W	400W

WIRING

- Check that the line voltage is correct.
- Connect fixture **GROUND** (green) wire to power supply **GROUND** (green) wire.
- Connect fixture **WHITE** wire to power supply **NEUTRAL** wire.
- Connect fixture **BLACK** wire to power supply **LINE** wire
- The fixture includes 0-10V dimming functionality, connect GREY or PINK and VIOLET wires to a 0-10V dimming controller (optional).

