



ECPL-LED

Indoor Ceiling Light

Frameless design along with Lumen selectable and CCT selectable features. These highly-efficient LED Panels provide uniform distribution, superior performance, and reduced glare.

IDEAL APPLICATIONS

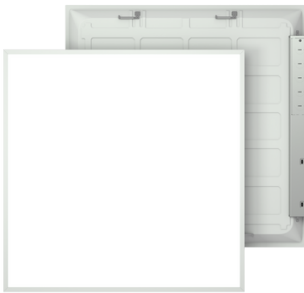
- ✔ Offices
- ✔ Schools
- ✔ Retail Spaces

SPECIFICATIONS

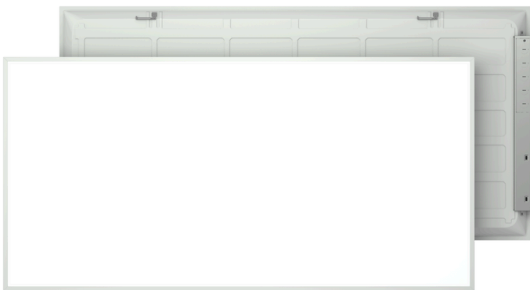
	ECPL14	ECPL22	ECPL24
PERFORMANCE			
Light Output (Lumen Selectable)	2500/3125/3750/4375/5000lm	2500/3125/3750/4375/5000lm	3750/4375/5000/5625/6250lm
Efficacy	125lm/W		
CCT	3000/3500/4000/5000/6500K (CCT Selectable)		
Beam Angle	120°		
LED Lifetime(L80)	>60,000 Hrs		
CRI	82		
ELECTRICAL			
Wattage	20/25/30/35/40W	20/25/30/35/40W	30/35/40/45/50W
Voltage	120-277V		
Surge Protection	1kV (Built-in Driver) as per IEC/EN61000-4-5		
Power Factor	0.97		
THD	10%		
CONSTRUCTION			
Housing	Die-formed Steel		
Lens	PMMA lenses over LEDs		
Finish	White		
AMBIENT OPERATING TEMPERATURE			
-20°C to 40°C (-4°F to 104°F)			
MOUNTING			
Recessed in T-bar grid ceiling with integral earthquake clips			
Surface mount and suspension mount cable kit sold separately			
CERTIFICATIONS			
cULus Listed for Canada and USA, per UL 1598, CSA C22.2 No. 250.0			
DLC Premium, IP20			
ADDITIONAL OPTIONS			
8W Battery Back up - 90 minute discharge			
CONTROLS			
0-10V Dimming (Dim to Off)			



ECPL14



ECPL22



ECPL24

MAX AMPERAGE DRAW (A)

	120V	208V	240V	277V
ECPL14	0.35	0.2	0.17	0.15
ECPL22	0.35	0.2	0.17	0.15
ECPL24	0.44	0.26	0.22	0.19

LUMEN MAINTENANCE

L90	L80	L70
52,000 Hrs	100,000 Hrs	130,000 Hrs

Life hours are derived from IESNA LM-80 testing report and projected per IESNA TM-21 calculations.

All reported values were tested at 120V and 3000K and shown for the highest lumen setting.

Default Setting: Highest wattage and 4000K



ORDERING GUIDE



Fixture	Wattage	Voltage	Colour Temp.	Dimming	Misc	Battery Backup
ECPL14	LED40A20	B - 120-277V	VK - Colour Selectable	DIM - 0-10V Dimming	F- Five Settings	BLANK* - No Battery back up
ECPL22	LED40A20		(3000K/3500K/4000K/5000K/6500K)			
ECPL24	LED50A30					BBK8 ^a - 8W Battery Back up

a - Battery Back up unit only available with ECPL22 & ECPL24
Only available with 3 CCT and 3 Wattage select option

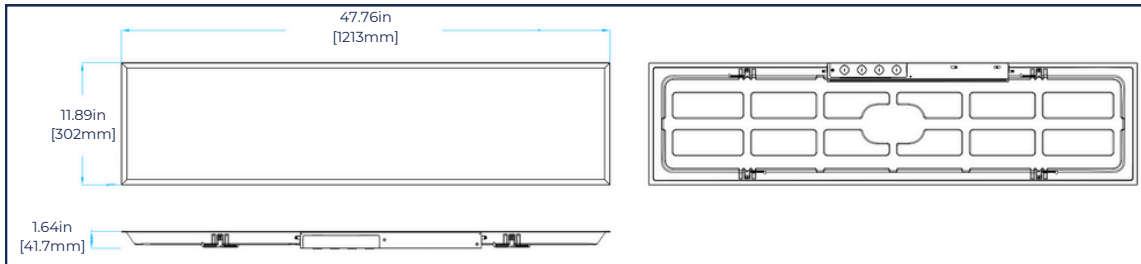
ACCESSORIES SOLD SEPARATELY

STOCK CODES	
053314	ECPL14-LED40A20-B-VK-DIM-F
053322	ECPL22-LED40A20-B-VK-DIM-F
053324	ECPL24-LED50A30-B-VK-DIM-F

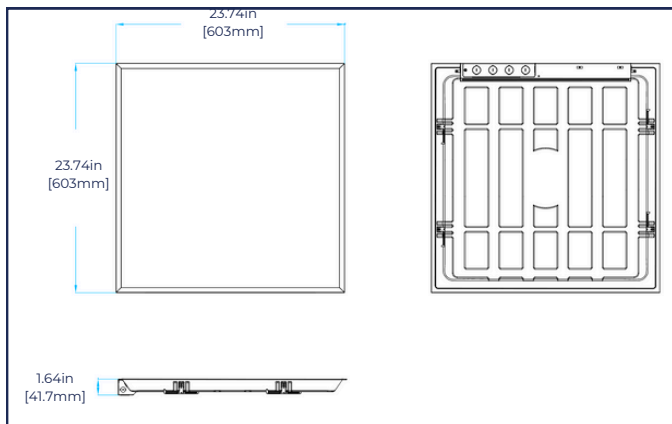
053325	SURFACE MOUNT KIT F/BACKLIT CPL14 & ECPL14-3" H
053326	SURFACE MOUNT KIT F/BACKLIT CPL22 & ECPL22-3" H
053327	SURFACE MOUNT KIT F/BACKLIT CPL24 & ECPL24-3" H
053328	2 CABLE SUSPENSION MOUNT KIT F/ECPL
053329	WIRING COMPARTMENT-8.88" L X 2.44" W X 1.24" H

DIMENSIONS

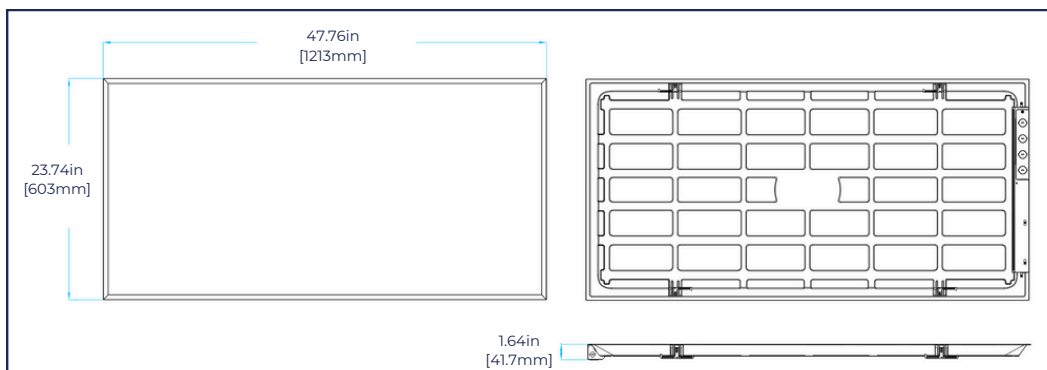
ECPL14



ECPL22

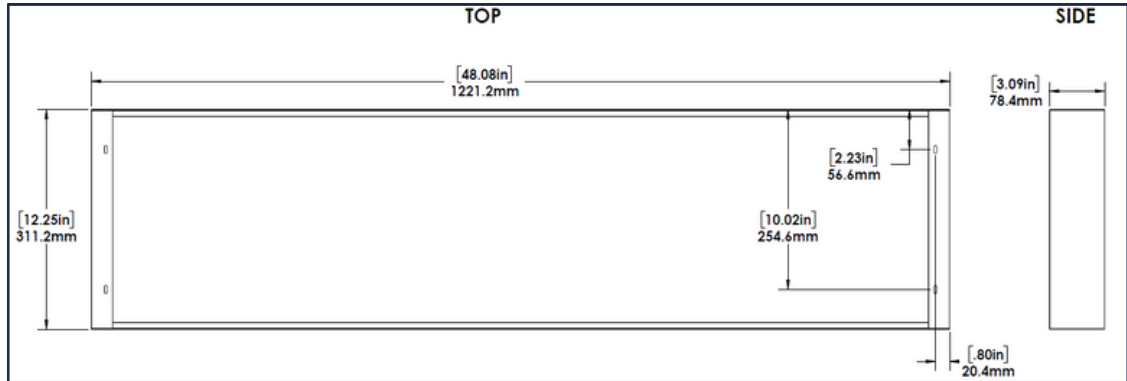


ECPL24

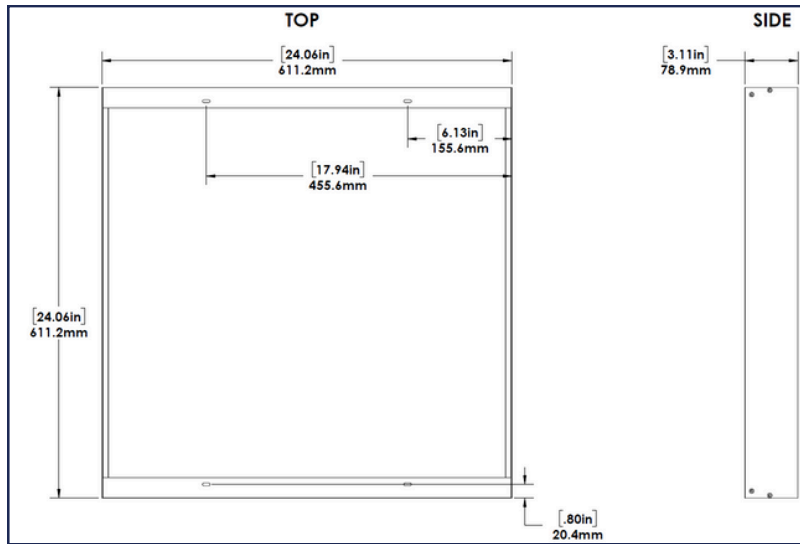


SURFACE MOUNT KITS

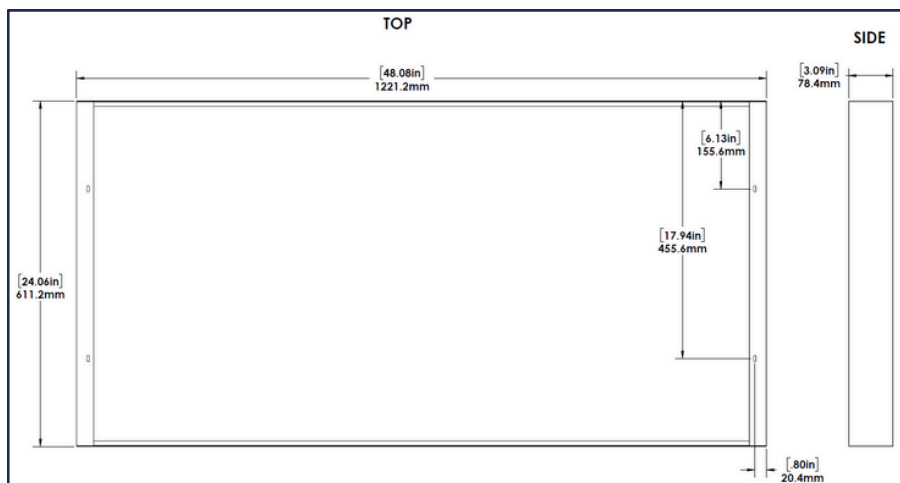
ECPL14



ECPL22



ECPL24



PHOTOMETRIC PLOTS

