

## INSTALLATION INSTRUCTIONS



**ELECTRICAL SHOCK HAZARD**

**READ, UNDERSTAND, and FOLLOW** these instructions before installing the equipment.

### WARNING

Disconnect the Electrical supply power at the service panel (fuse or circuit breaker box). Failure to do so could result in serious injury or death. Only qualified electricians should install this fixture and the installation MUST conform to the Local Electrical Code Part I and all local codes and ordinances. Ensure that only proper tools, materials, and equipment are used to complete the installation.

### SAFETY

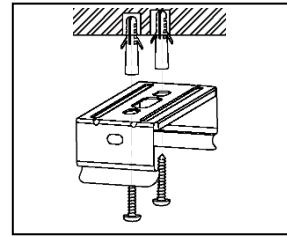
- Proper grounding is required to ensure personal safety.
- Fixture should be mounted in locations where unauthorized personnel will not readily subject it to tampering.
- Do not use this equipment for anything other than its intended purpose.
- Servicing this equipment should be performed by qualified service personnel.
- Save these instructions.
- **Minimum 90°C Supply Conductors**

### SPECIFICATIONS

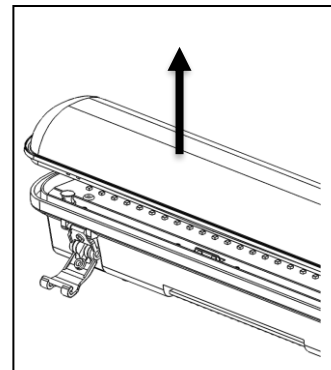
- Supply Voltage: 120-277V

### INSTALLATION

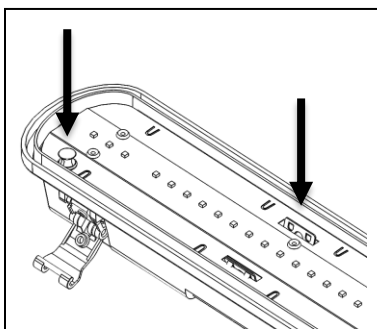
- Fix the stainless-steel hook brackets to the ceiling at min 662mm (26.063") to max 892mm (35.118") center to center, using the screws provided. [1]  
Make sure to use the proper anchors depending on the type of ceiling.
- Remove the lens and LED tray from the housing. [2]
- Attach the back housing to the stainless-steel hook brackets. [3]
- Make connections as per the wiring diagram.
- Snap the LED tray into the back housing and reinstall the lens. [3, 4]



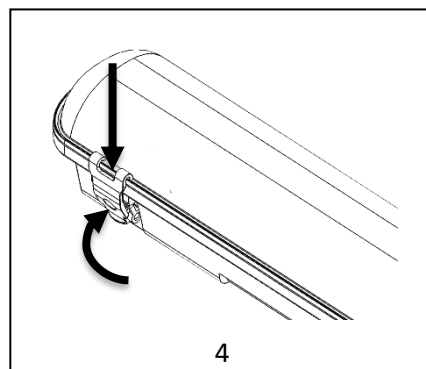
1



2



3



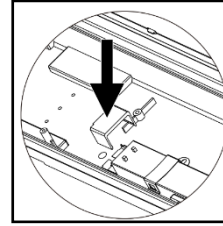
4

# VP4-LED

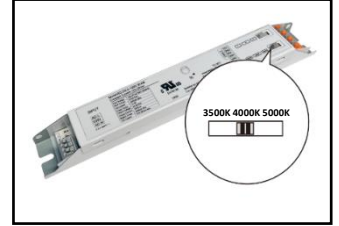
## INSTALLATION INSTRUCTIONS

### CCT SELECTABLE SWITCH

- Remove the safety cover from the LED Driver to access the CCT Select switch.[5]
- Adjust the switch shown to adjust the CCT. Default is 4000K. [6]
- Put the cover back when finished. [5]



5



6

### WIRING

- Check that the line voltage is correct.
- Connect fixture **GROUND** (green) wire to power supply **GROUND** (green) wire.
- Connect fixture **WHITE** wire to power supply **NEUTRAL** wire.
- Connect fixture **BLACK** wire to power supply **LINE** wire
- If the fixture includes 0-10V dimming functionality, connect **GREY/PINK** and **VIOLET** wires to the dimming controller.

