

RDA[®]

LIGHTING



VP4-LED

Narrow Linear Vaporproof

The VP4 is a four foot linear vaporproof fixture with color temperature selectability and wide voltage range ensuring compatibility to suit application in parking garages, industrial, commercial spaces. The fixture combines rugged construction with advanced features to deliver reliable, tailored illumination.

IDEAL APPLICATIONS



Industrial Application



Underground Parking Garages



Warehouse

SPECIFICATIONS

PERFORMANCE	
Light Output	4900lm
Efficacy	142lm/W
CCT	CCT Selectable - 3500K/4000K/5000K
Beam Distribution	120°
Replaces Up To	2 Lamp T8
CRI	84
ELECTRICAL	
Wattage	35W
Voltage	120-277V
Surge Protection	2kV (Built-in Driver) as per IEC/EN 61000-4-5
Power Factor	>0.9
THD	<17%
Battery Back up	8W Battery Back Up (Optional)
AMBIENT OPERATING TEMPERATURE	
Fixture	-22°F to +104°F (-30°C to 40°C)
With Battery Back Up	50°F to +104°F (10°C to +40°C)
With Motion Sensor	-22°F to +104°F (-30°C to 40°C)

CONSTRUCTION	
Housing	Polycarbonate
Lens	Frosted Polycarbonate
Clips	Polycarbonate (10x) Clips (Standard) Stainless Steel Clips (Sold Separately)
Finish	Grey
Predrilled Conduit Entries	Two 1/2" (one at each end)
Fixture Weight	4.2lbs (1.9kg)
CONTROLS	
Multifunction Sensor	Dimming High Frequency Motion Sensor
MOUNTING	
Surface/Ceiling Mount	
Adjustable Stainless Steel Surface Mount Clips included in the box	
CERTIFICATIONS	
cETLus certified per UL1598 & CSA C22.2 NO. 250.0:21, DLC Premium, DLC Standard, Wet Location, IP65, IK10	
DEFAULT SETTING	
CCT	4000K

LUMEN MAINTENANCE		
L90	L80	L70
88,000 Hrs	160,000 Hrs	250,000 Hrs

MAX AMPERAGE DRAW (A)			
120V	208V	240V	277V
0.306	0.177	0.153	0.133

Note:

- Life hours are derived from IESNA LM-80 testing report and projected per IESNA TM-21 calculations.
- Electrical and Light Performance data is based on LM79 test report at 4000K and 120V.
- This product is not suitable for Car Washes. Please see our LFW-LED series for Car Wash applications.



ORDERING GUIDE



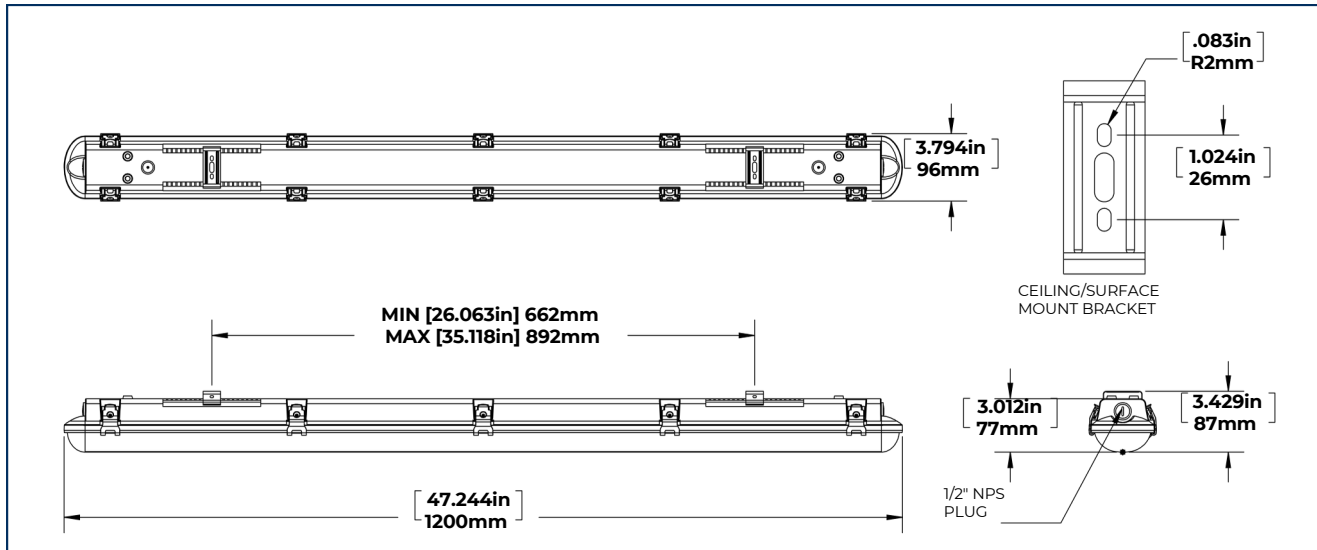
Fixture	Wattage	Voltage	Color Temp.	Dimming	Motion Sensor	Emergency Battery Backup
VP4	LED35	B - 120-277V	VK- CCT Selectable - 3500K/4000K/ 5000K	DIM - 0 -10V Dimming	Blank* - No Motion Sensor	Blank* - No Emergency Battery Backup
					DHFS- Dimming High Frequency Motion Sensor	BBK8 - 8W Emergency Battery Backup

*Standard Configuration

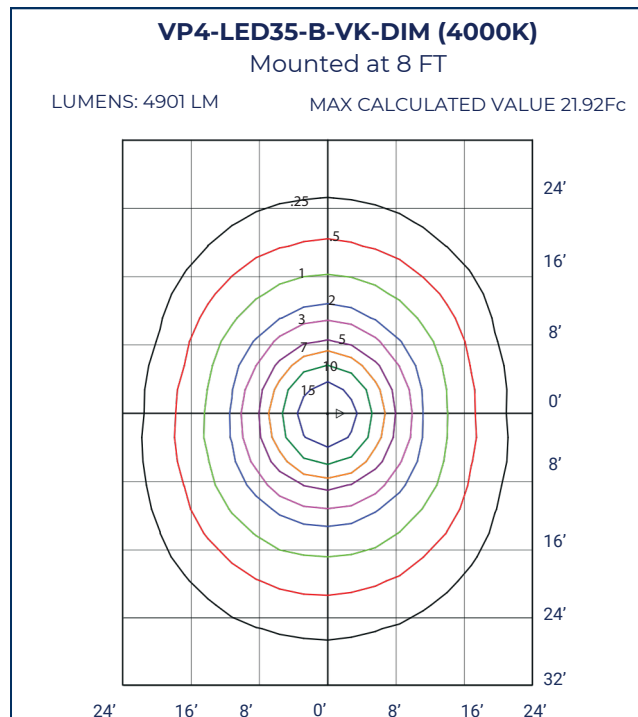
STOCK CODE		INCLUDED IN THE BOX	
053132	VP4-LED35-B-VK-DIM	SURFACE MOUNT INSTALLATION ACCESSORIES (2X)	
053131	VP4-LED35-B-VK-DIM-DHFS		

ACCESSORY SOLD SEPARATELY			
052267	RC-100 MOTION SENSOR REMOTE CONTROL		051599 SL4/VP4-LED JUNCTION BOX COVER PLATE
051331	LINEAR CEILING PENDANT MOUNT KIT (2x5ft)		

DIMENSIONS



PHOTOMETRIC PLOT



MOTION SENSOR SPECIFICATIONS

Maximum Mounting Height/Range	<p>Height of installation: 8-12ft</p> <p>Detection Range at 8ft Mounting Height</p> <p>Detection Angle</p>
Maximum Detection Angle	360°
Recommended Mounting Height	8ft - 12ft
Sensor Detection Range	26ft at 8ft mounting

DEFAULT MOTION SENSOR SETTINGS

BRIGHTNESS	SENSITIVITY	HOLD TIME	DAYLIGHT SENSOR	STAND-BY DIM	STAND-BY TIME
100%	100%	10 Seconds	Disabled	DIM: 50%	60 minutes

*Applicable to light fixtures with Motion Sensors (DHFS)

EMERGENCY BATTERY BACKUP SPECIFICATIONS

Rated Input Voltage	100-277 VAC, 50/60HZ
Input current	20-100mA
Input power	8W
Power Factor	0.6 @ 100VAC, 0.5 @277 VAC
Output Power (Emergency Mode)	9W±10%, Constant Power
Recharge Current	0-200mA
Recharge Time	24 Hours
Discharge Time	90 Minutes
Maximum Case Temperature	158°F (70°C)
Ambient Operating Temperature	50°F - 140°F (10°C-60°C)

Note: Lumen output with emergency battery backup can be calculated by multiplying battery power output with efficacy of fixture.