

## INSTALLATION INSTRUCTIONS



### ELECTRICAL SHOCK HAZARD

**READ, UNDERSTAND, and FOLLOW** these instructions before installing the equipment.

## WARNING

Disconnect the Electrical supply power at the service panel (fuse or circuit breaker box). Failure to do so could result in serious injury or death. Only qualified electricians should install this fixture and the installation **MUST** conform to the Canadian Electrical Code Part I and all local codes and ordinances. Ensure that only proper tools, materials, and equipment are used to complete the installation.

## SAFETY

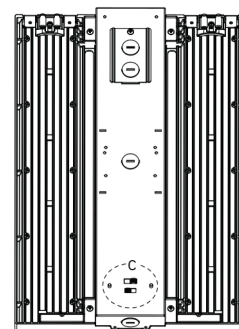
- Proper grounding is required to ensure personal safety.
- Fixture should be mounted in locations where unauthorized personnel will not readily subject it to tampering.
- Do not use this equipment for anything other than its intended purpose.
- Servicing this equipment should be performed by qualified service personnel.
- Save these instructions.
- Min 90°C supply conductor
- Do NOT use any electric generators to test the fixture.

## TOOLS REQUIRED

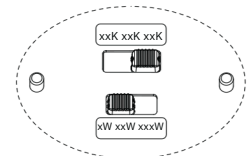
- Drill tool (optional)
- Philips screwdriver

## CCT & WATTAGE SELECTABLE SWITCHES

- CCT selectable switch is included in every luminaire & it is accessed on the top of the fixture. The switch can be set to 3500K, 4000K, or 5000K CCT. 4000K is the default.
- Wattage selectable switch is included in every luminaire & it is accessed on the top of the fixture. Wattages vary depending on the model. The max Wattage setting is the default.



CCT Select Switch



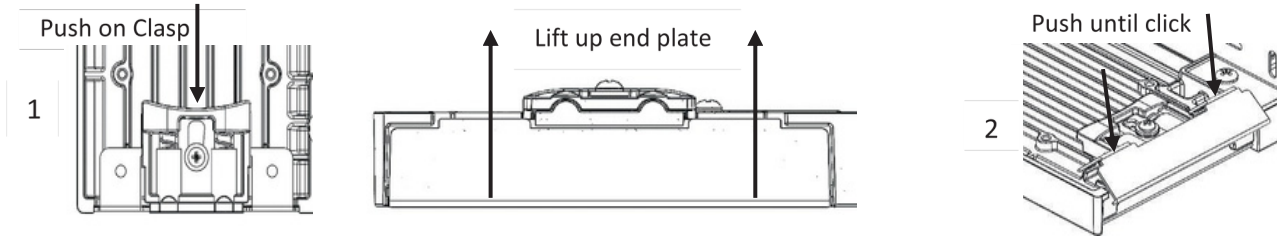
Wattage Select Switch

**INSTALLATION INSTRUCTIONS**

**LENS REPLACEMENT**

1. Push on spring-loaded clasp and lift up on the end plate holding the lens in place. [1]
2. Remove and replace lens, then secure the lens in place by pushing down on the end plate until it snaps into place. [2]

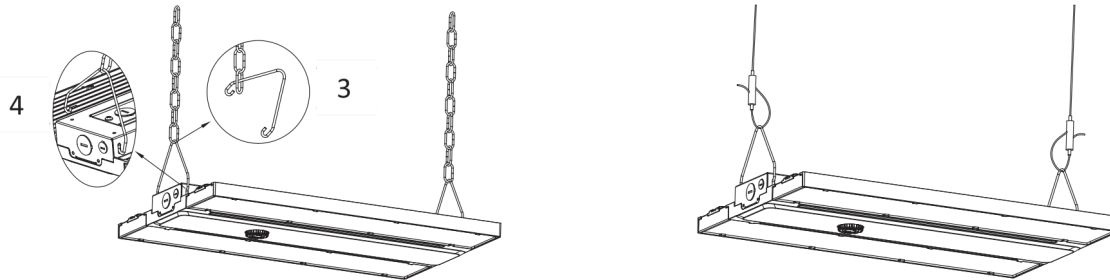
**Note: Smooth side of the lens should be facing away from the fixture**



**INSTALLATION**

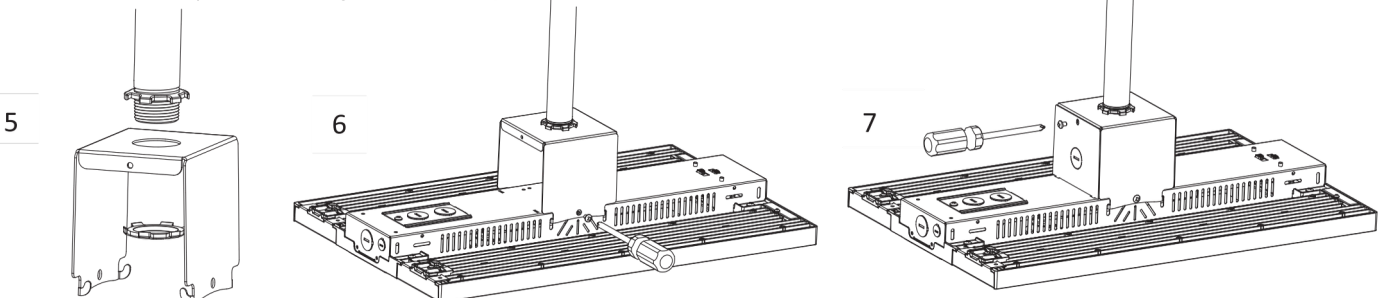
**SUSPENDED MOUNT**

1. Attach chain/aircraft cable to the suspension hook. [3]
2. Snap the suspension hook into the fixture at the specified location. [4]
3. Make appropriate wiring connections as the per wiring diagram on page 4.



**PIPE PENDANT MOUNT WITH JUNCTION BOX (SOLD SEPARATELY)**

1. Attach 3/4" NPT Pipe to pendant mount bracket. [5]
2. Attach the pendant mount bracket assembly to the fixture using the screws included in the kit. [6]
3. Make appropriate wiring connections as per the wiring diagram.
4. Attach the side panels of the junction box. [7]

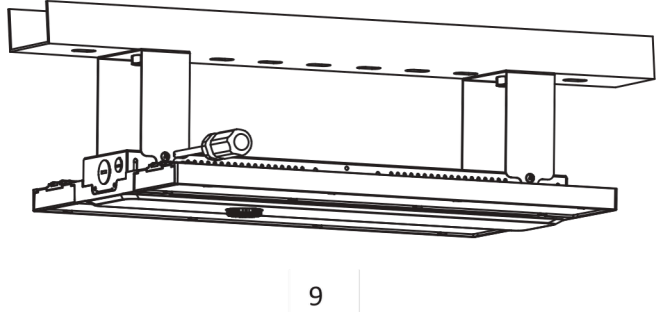
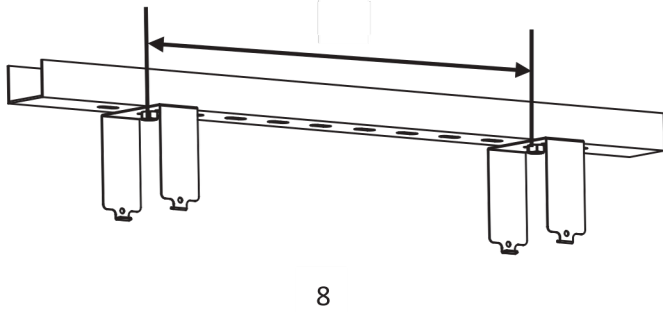


**INSTALLATION INSTRUCTIONS**

**SURFACE MOUNT (SOLD SEPARATELY)**

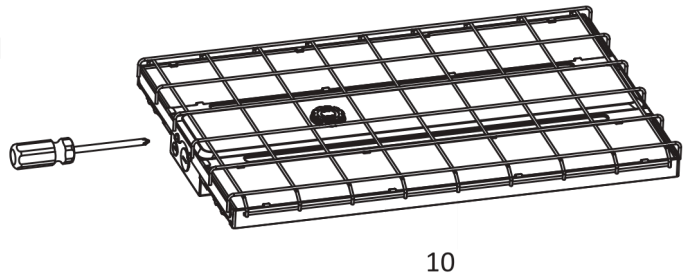
1. Attach the surface mount brackets to the ceiling or rail (see table). [8]
2. Mount the fixture onto the brackets and secure using included screws. [9]
3. Make appropriate wiring connections according to the wiring diagram on page 4.

Fixture	Distance B/W Holes (X)
LH1S	290mm [11.42in]
LH2S	380.1mm [14.96in]
LH3S	500mm [19.69in]



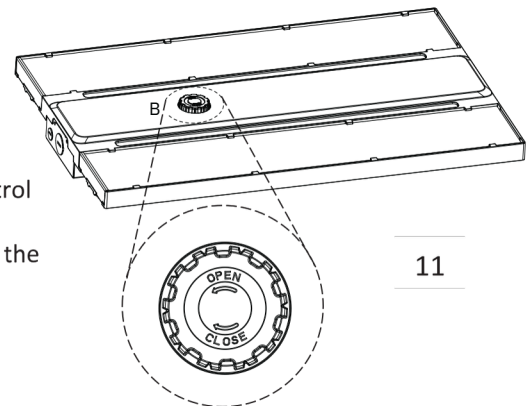
**WIRE CAGE (SOLD SEPARATELY)**

Attach wire cage to the fixture using the included hardware. [10]



**MOTION SENSOR/WIRELESS DIMMER (SOLD SEPARATELY)**

1. The fixture comes with the sensor receptacle installed. Unscrew the 1/2" plug and twist-lock the sensor. [11]
2. The sensor is set to the default setting; it can be programmed using a remote control (sold separately). To change the mode of the motion sensor to a dimmer, long-press the ON/OFF button on the remote control and adjust the brightness as desired.



INSTALLATION INSTRUCTIONS

MOTION SENSOR/WIRELESS DIMMER REMOTE CONTROL (SOLD SEPARATELY)

	Button	Function
	ON/OFF	Long press until the brightness indicator light is on. Then press to permanently turn on and off the fixture.
	BRIGHTNESS	Sets the highest light fixture brightness when motion is detected.
	SEND	Uploads the selected remote-control parameters to the light fixture sensor.
	HOLD TIME	The time the light fixture will remain at the brightness setting after it detects motion.
	STAND-BY DIM	The Dim level that the light fixture will dim down after the Hold Time has expired.
	STAND-BY TIME	The time the light fixture will remain in the Stand-by dim state before it shuts off. To disable the light from shutting off, select the <b>INFINITY</b> icon.
	SENSITIVITY	Sets the sensitivity to which the sensor will detect motion.
	DAYLIGHT	The lux setting that the light fixture will turn on/off. If the ambient lux is more than the defined lux setting, the fixture & sensor function will turn off and remain off until the ambient lux is below the setting. Long press until the daylight indicator light is on. Then press to select the desired lux setting.
	RESET	Resets the light fixture sensor parameters to the default settings.
	- / +	Press to increase or decrease brightness from 0% to 100%.
	TEST	Press to test the sensor (hold time is only 3s).

To switch from the motion sensor mode to dimmer mode, long press the ON/OFF button until only the BRIGHTNESS option lights up. Then use the -/+ buttons to adjust the brightness; brightness changes 2% at a time.

**WIRING**

- Check that the line voltage is correct.
- Connect fixture **GROUND** (green) wire to power supply **GROUND** (green) wire.
- Connect fixture **WHITE** wire to power supply **NEUTRAL** wire.
- Connect fixture **BLACK** wire to power supply **LINE** wire
- If the fixture includes 0-10V dimming functionality, connect **PINK** and **PURPLE** wires to the dimming controller.

