

INSTALLATION INSTRUCTIONS



ELECTRICAL SHOCK HAZARD

READ, UNDERSTAND, and FOLLOW these instructions before installing the equipment.

WARNING

Disconnect the Electrical supply power at the service panel (fuse or circuit breaker box). Failure to do so could result in serious injury or death. Only qualified electricians should install this fixture and the installation **MUST** conform to the Canadian Electrical Code Part I and all local codes and ordinances. Ensure that only proper tools, materials, and equipment are used to complete the installation.

SAFETY

- Proper grounding is required to ensure personal safety.
- Fixture should be mounted in locations where unauthorized personnel will not readily subject it to tampering.
- Do not use this equipment for anything other than its intended purpose.
- Servicing of this equipment should be performed by qualified service personnel.
- Save these instructions.
- **MIN 90 °C SUPPLY CONDUCTOR**

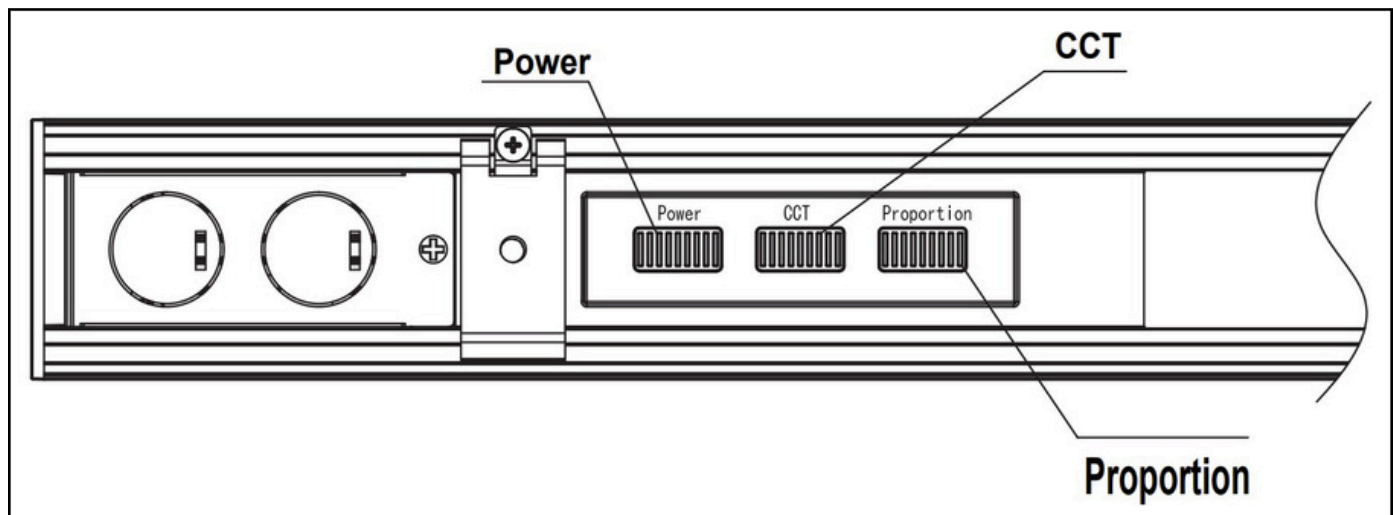
TOOLS REQUIRED

- Phillips Screwdriver
- Flathead Screwdriver (Optional)

INSTALLATION

Selectable Lumens, Colour Temperature & Up/Downlight

- CCT selectable switch, Lumens switch, and Up/Downlight switch is included. It can be accessed on the top of the fixture during installation. [1]
- CCT can be set to 3000K, 3500K, and 4000K CCT. The default CCT is 4000K.
- Lumens/Power can be set. The default is the maximum wattage setting.
- Proportion can be set to 0%, 15%, and 30%. The default is 0% (Downlight only).

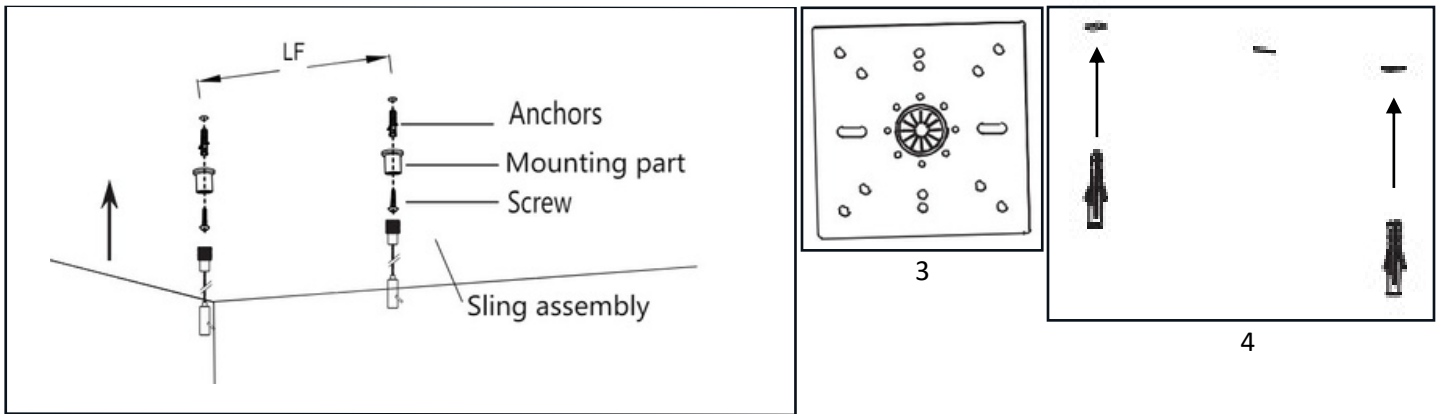


INSTALLATION INSTRUCTIONS

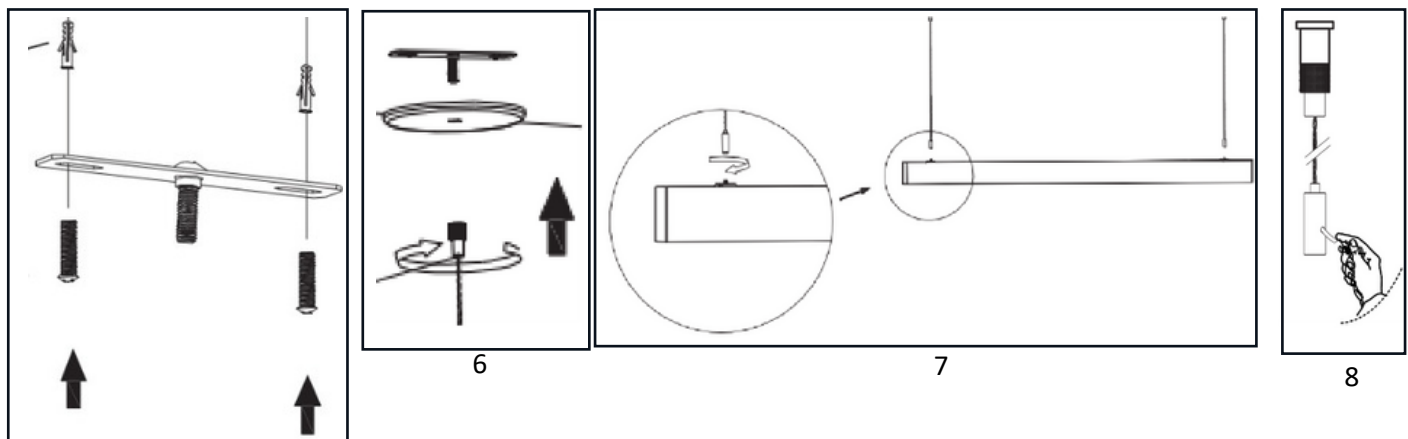
Different Mount Types (A-D):

A: Suspension Mount (Dry Ceiling):

1. Attaching ceiling brackets:
 - a. Aircraft Cable and No Canopy Mount (Standard with all accessories included with fixture)
 - i. Install the mounting hardware to the surface. [2]
 - ii. Mount the aircraft cables.
 - iii. Optional: Use the junction box coverplate. (sold separately) [3]
 - b. Aircraft Cable and Canopy Mount (Canopy discs and crossbars sold separately)
 - i. Install the mounting hardware and crossbars to the surface. [4] [5]
 - ii. Mount the canopy discs and aircraft cables. [6]
2. Screw the cables into the position on the suspension mount brackets and adjust the length of the aircraft cable. [7] [8]
3. 6' power cord is pre-installed on the fixture. Complete the wiring connection according to the wiring diagram on page 8.



2



5

6

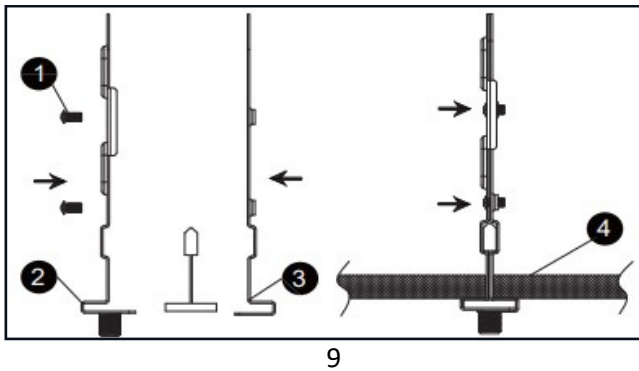
7

8

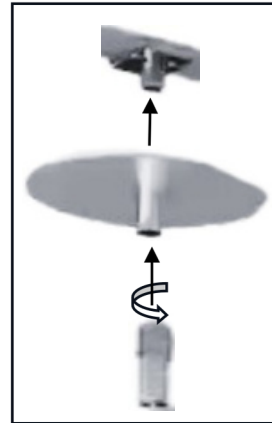
INSTALLATION INSTRUCTIONS

B: Pendant Mounting (Drop Ceiling):

1. Attach T-grid clips to the ceiling. [9]
2. Screw in the cables into the part of the T-grid clip extruding from the ceiling. [10]
 - a. Optionally place the canopy mount on top of the cable before screwing it in.
3. Loosen the screws on the bracket and move it to the desired position. Tighten when in position. [11]
4. Screw the cables into the position on the brackets and adjust the length of the aircraft cable. [12] [13]
5. 6' power cord is pre-installed on the fixture. Complete the wiring connection according to the wiring diagram on page 8.



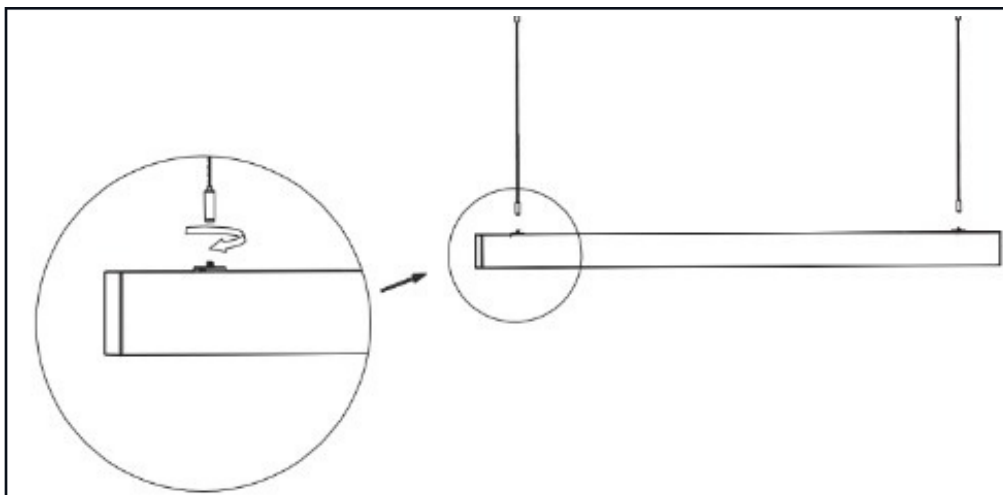
9



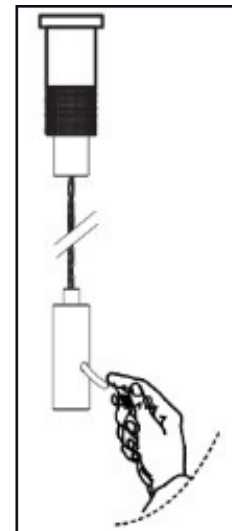
10



11



12

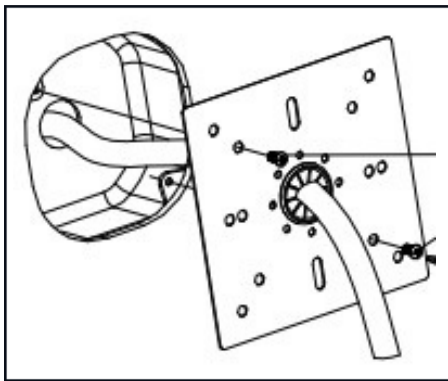


13

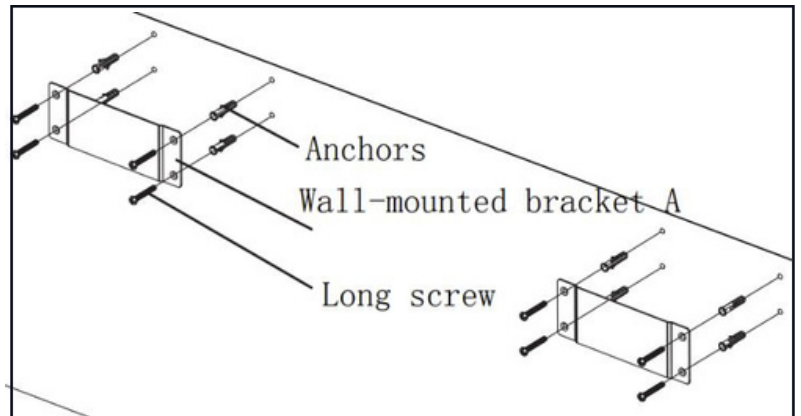
INSTALLATION INSTRUCTIONS

C: Wall Mount:

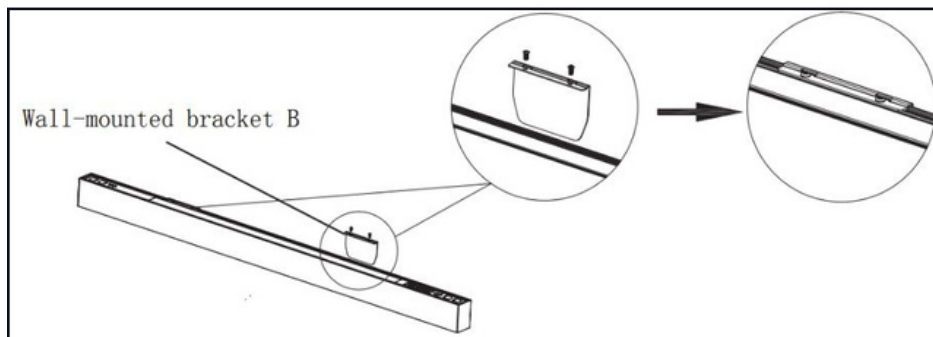
1. Wire as per the wiring diagram on page 8. Wire leads are provided on both ends of the fixture. Use the wire leads of either side and push the wire leads into the fixture for the other side.
 - a. Optional: Use junction box cover plate. (Sold separately) [14]
2. Use anchors to screw in the wall-mounted brackets into the wall at an appropriate distance from each other (depending on the size of the fixture being installed). [15]
3. Screw the holding plates onto the fixture at the appropriate locations. [16]
4. Fit the holding plates on the fixture into the wall-mounted brackets to finish installation. [17]



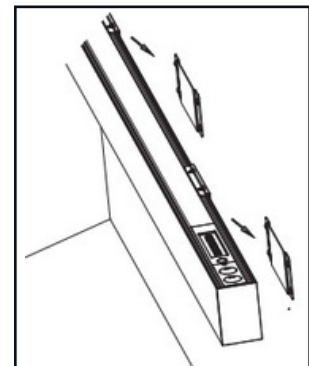
14



15



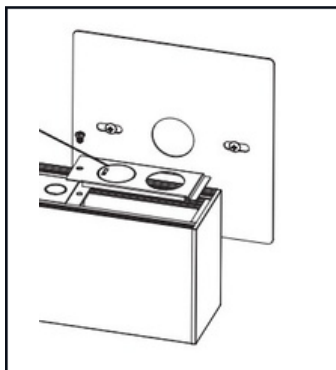
16



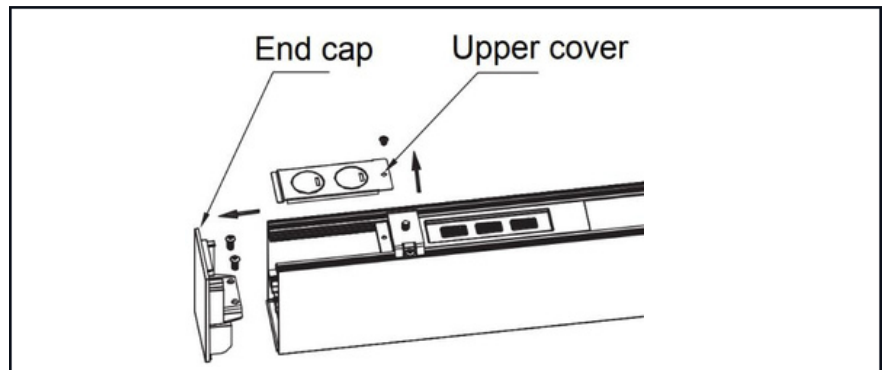
17

D: Surface Mount:

1. Remove the access plate. [18]
2. Remove the end cap. [19]



18



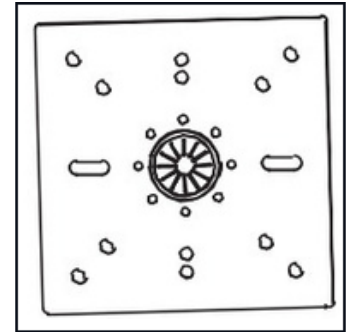
19

INSTALLATION INSTRUCTIONS

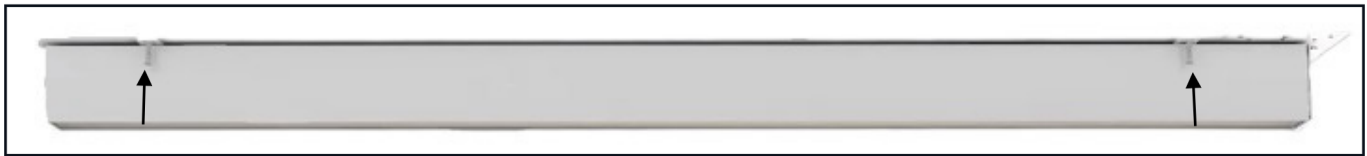
3. Remove the pendant mount clips and put the access plate and end cap back on.
4. Screw the surface-mounted brackets into place on the fixture using short screws. [20]
5. 6' power cord is pre-installed on the fixture. Complete the wiring connection according to the wiring diagram on page
Optional: Use Junction box cover plate (sold separately). [21]
6. Use the anchors and the long screws to screw the brackets into the surface. [22]



20



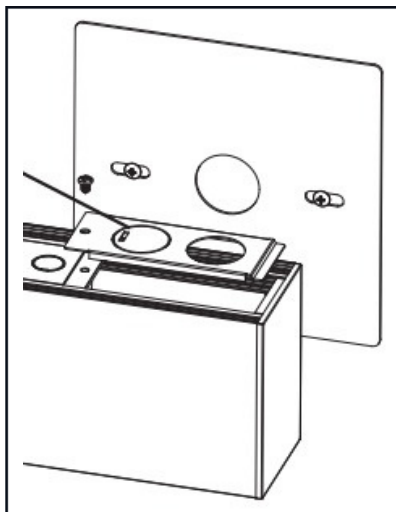
21



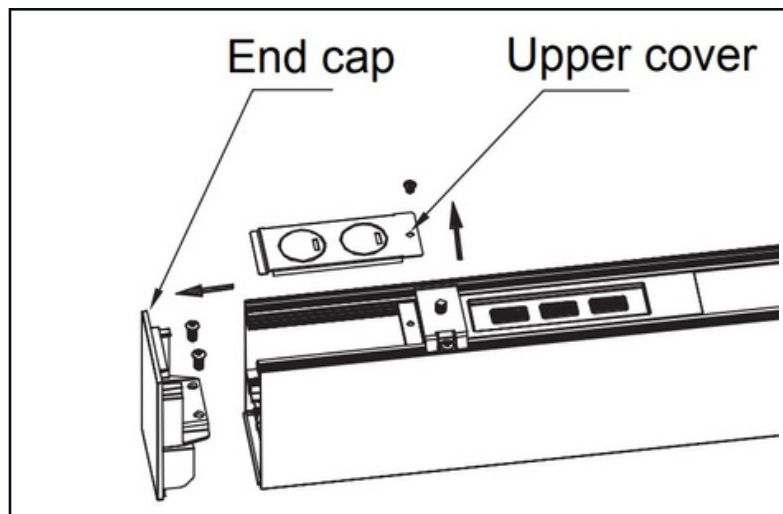
22

Row Mount Fixtures

1. Remove the access plate.[23]
2. Remove the end cap. [24]



23



24

INSTALLATION INSTRUCTIONS

3. Remove one of the locking clips. (They are pre-installed)
4. Screw in row connector into the fixture without the locking clip.
5. Slide in connector into exposed end of the fixture with a locking clip to connect any two of the Flexiline fixtures. Make sure that locking mechanism is in place. [25]
6. Install smaller right angle brackets using 1 screw each. [26]
7. Connect the male and female wires of the connected fixtures. [27]
8. Reattach wire covering/upper cover to finish installation.

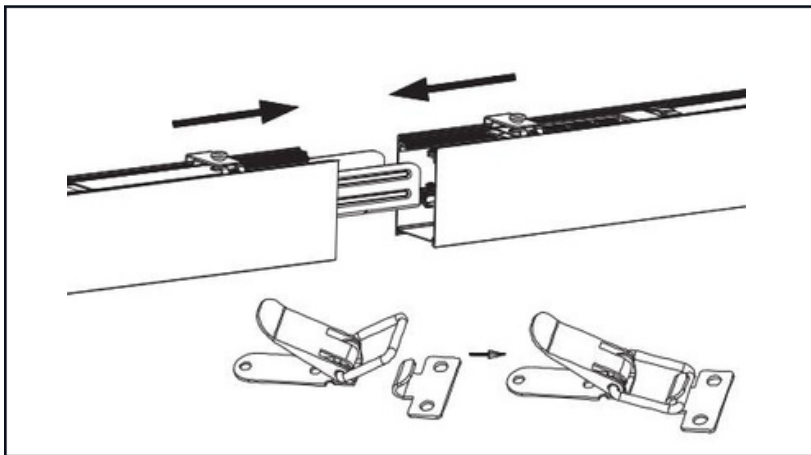
Creating Shapes & Configurations

Different connecting junctions can be used to create different shapes using multiple fixtures. This example will go through assembling a T shape. The process can be replicated with different junctions for different shapes as listed:

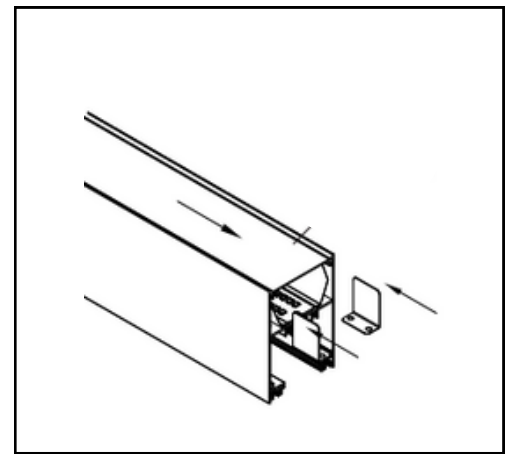
- Row connection
- 90 degree L connection
- 60 degree L connection
- 120 degree L connection
- T connection
- X connection
- Y Connection
- 1 ft row connection

NOTE: When daisy chaining fixtures there is a 4A Max (Max length of 40ft at 120V & 84ft at 277V).

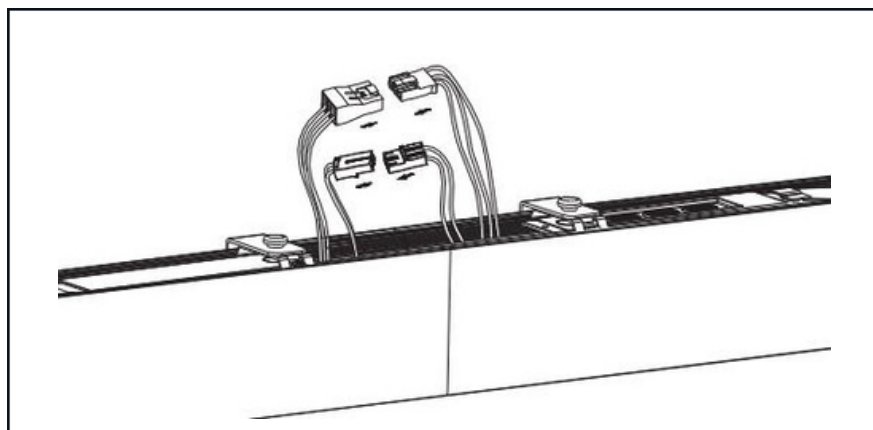
(Connectors do not contribute to max length of daisy chaining as they do not draw additional power and share the power supply with the fixture).



25

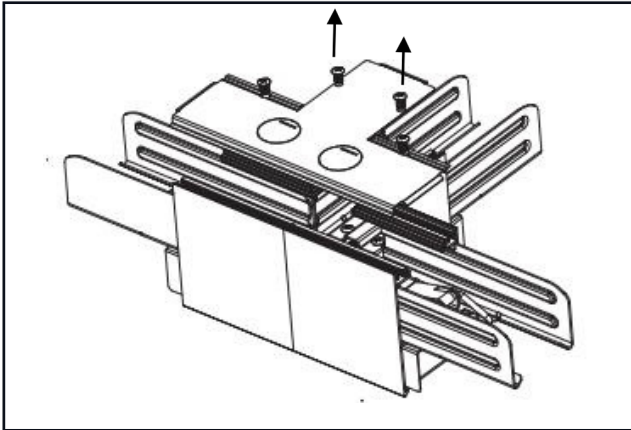


26

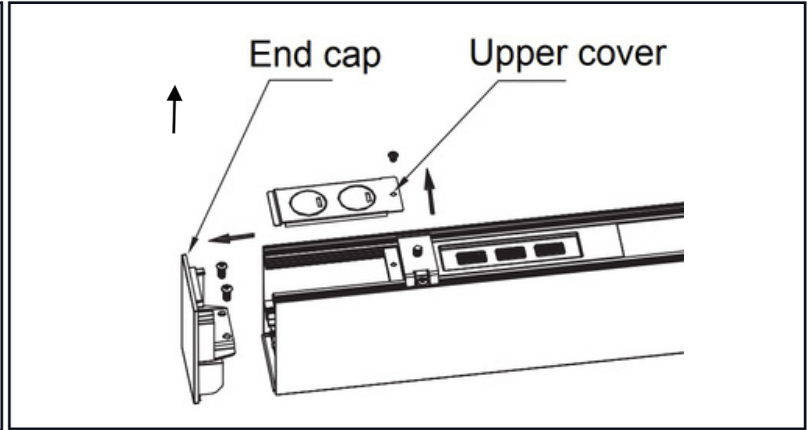


27

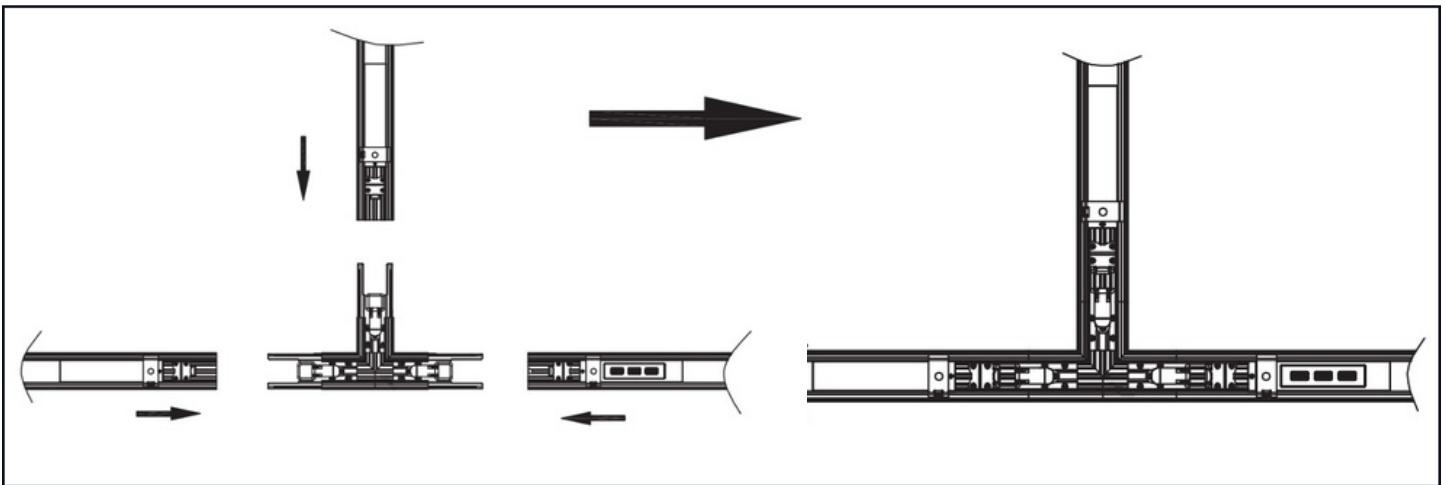
1. Take the cover off the junction. [28]
2. Take off the access plate and end cap from the fixture. [29]
3. Put the T junction corners into the exposed ends of the fixtures. Lock them into place with the locking clip. (Locking clips are pre-installed) [30]
4. Connect the male-female connectors. [31]



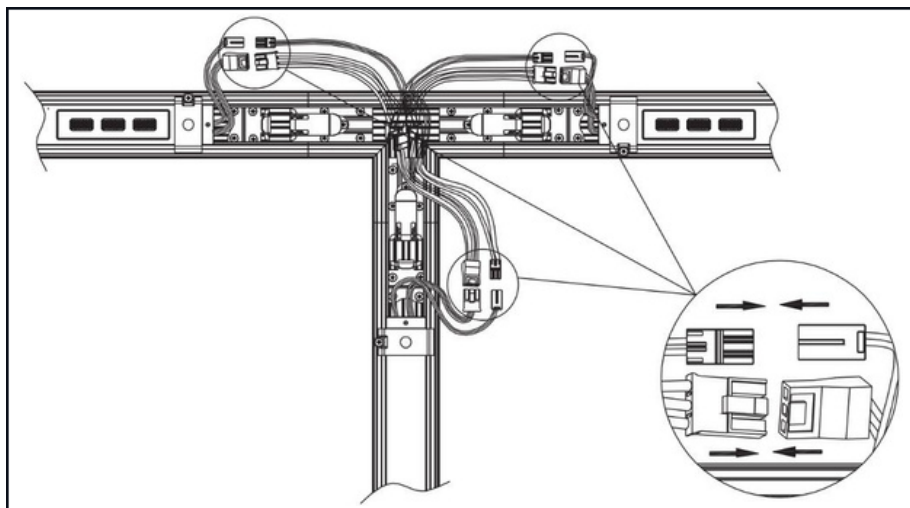
28



29



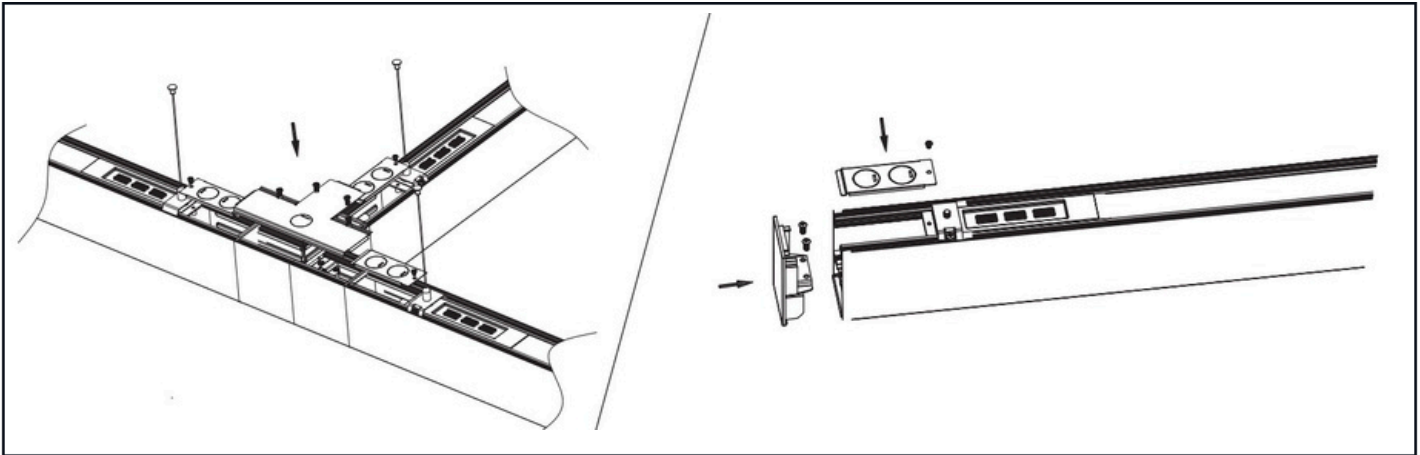
30



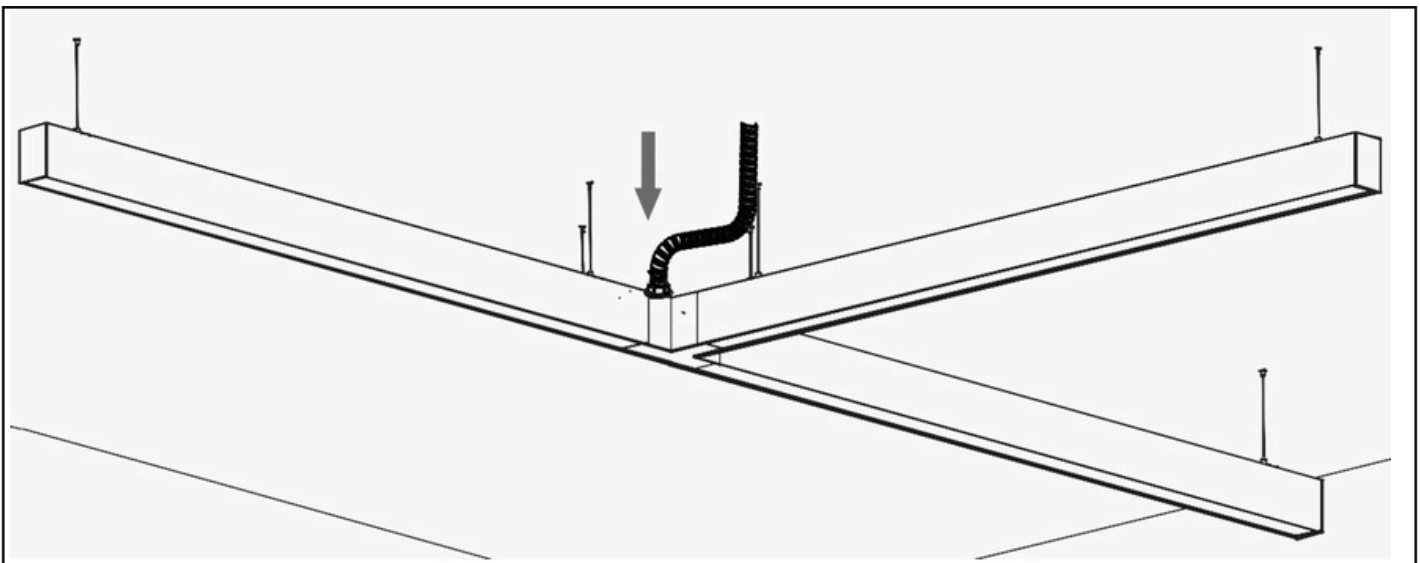
31

INSTALLATION INSTRUCTIONS

5. Put the T junction cover back on and put the wire cover and end cover of the fixture back on. [32]
6. Follow mounting instructions from part 2 for “Pendant Mounting” to fix 3 fixtures onto the ceiling.
7. Complete the wiring connection according to the wiring diagram on page 9 and installation is done. [33]



32



33

WIRING

- Check that the line voltage is correct.
- Connect fixture **GROUND** (green) wire to power supply **GROUND** (green) wire.
- Connect fixture **WHITE** wire to power supply **NEUTRAL** wire.
- Connect fixture **BLACK** wire to power supply **LINE** wire.
- The fixture includes 0-10V dimming functionality, connect **PINK** and **VIOLET** wires to a 0-10V dimming controller (optional).

