

INSTALLATION INSTRUCTIONS



ELECTRICAL SHOCK HAZARD

READ, UNDERSTAND, and FOLLOW these instructions before installing the equipment.

WARNING

Disconnect the Electrical supply power at the service panel (fuse or circuit breaker box). Failure to do so could result in serious injury or death. Only qualified electricians should install this fixture and the installation **MUST** conform to the Canadian Electrical Code Part I and all local codes and ordinances. Ensure that only proper tools, materials, and equipment are used to complete the installation.

SAFETY

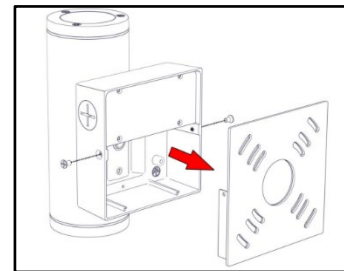
- Proper grounding is required to ensure personal safety.
- Fixture should be mounted in locations where unauthorized personnel will not readily subject it to tampering.
- Do not use this equipment for anything other than its intended purpose.
- Servicing this equipment should be performed by qualified service personnel.
- Save these instructions.
- Min 75°C supply conductor.

TOOLS REQUIRED

- Philip screwdriver
- Drill tool
- Wire strippers
- Wire Cutters

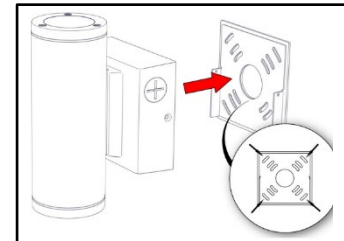
WALL MOUNT INSTALLATION

1. Unscrew the junction box cover plate and remove it. [1]



1

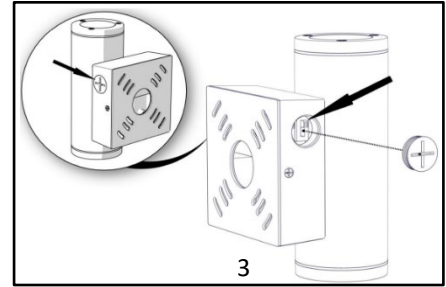
2. Install the junction box cover plate on to the junction box.
3. Wire according to wire diagram on page 4.
4. Install the fixture onto the junction box cover plate. [2]



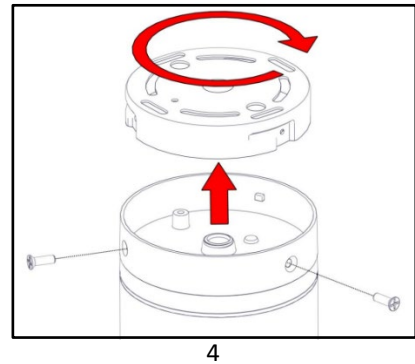
2

INSTALLATION INSTRUCTIONS

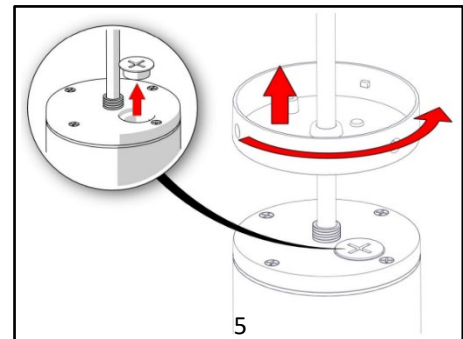
5. Remove conduit plug to access the photocontrol and CCT switches. (Optional) [3]
Note: Default setting is 4000K and photocell ON.

**CEILING MOUNT INSTALLATION**

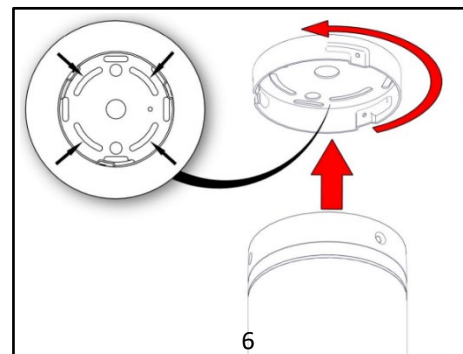
1. Unscrew the junction cover and remove it. [4]



2. Unscrew the upper cover and conduit plug to adjust CCT (Optional).
Note: Default setting is 4000K.



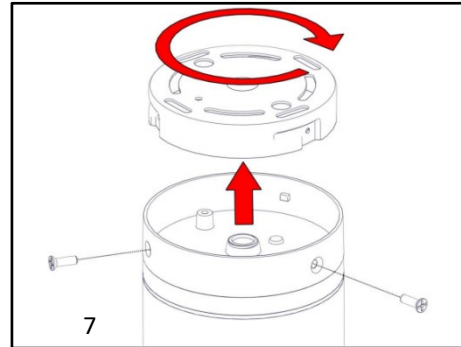
3. Install the junction box cover to the ceiling junction box. [6]
4. Wire according to wire diagram on page 4.
5. Install the fixture onto the junction box cover.



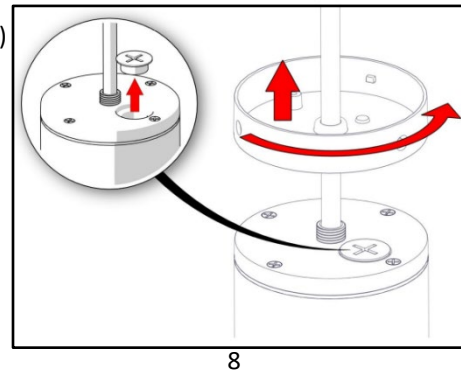
INSTALLATION INSTRUCTIONS

PENDANT MOUNT INSTALLATION

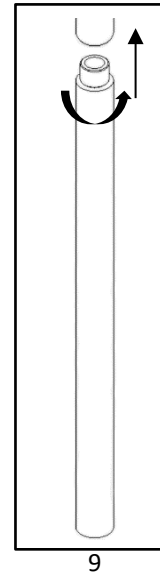
1. Unscrew junction cover and remove it. [7]



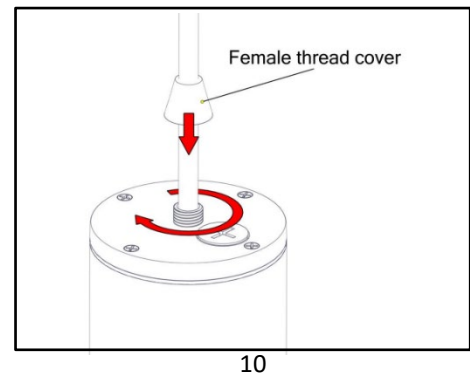
1. Unscrew the upper cover and conduit plug to adjust CCT. (Optional)
Note: Default setting is 4000K. [8]



2. Attach the desired number of pendant stems (sold separately) to make the pendant and pass the cables through this.
Note: Each stem is 1 foot long and 4 stems are included in one kit [9].

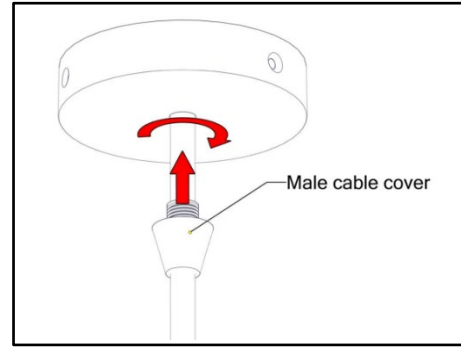


3. Attach cable using female thread cover. [10]



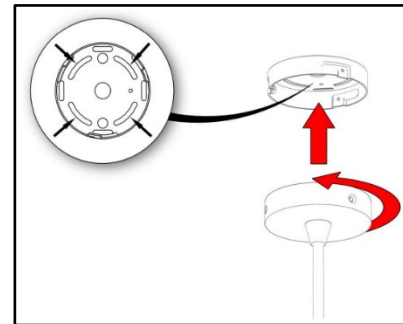
INSTALLATION INSTRUCTIONS

- Attach the fixture to the canopy using the male cable cover. [11]



11

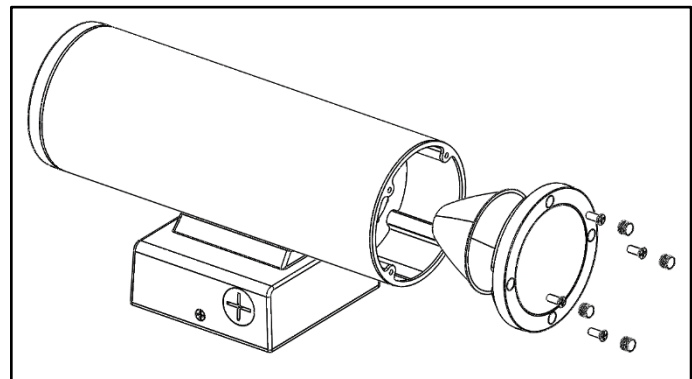
- Install the junction box cover into the ceiling. [12]
- Wire according to the wire diagram on page 4.
- Attach the canopy to the junction box cover.



12

CHANGING BEAM DISTRIBUTION/REFLECTOR

- Remove the plugs covering screws.
- Unscrew and remove the lens cap from the fixture.
- Replace the reflector with new reflector.
- Attach the lens cap using the 4 screws.
- Install the plugs.



WIRING

- Check that the line voltage is correct.
- Connect fixture **GROUND** (green) wire to power supply **GROUND** (green) wire.
- Connect fixture **WHITE** wire to power supply **NEUTRAL** wire.
- Connect fixture **BLACK** wire to power supply **LINE** wire
- The fixture includes 0-10V dimming functionality, connect **PINK** and **VIOLET** wires to a 0-10V dimming controller (optional).

