



## SBL6-LED24A14

### Field Adjustable Bollard with Photocell



Field adjustable bollards with wide input voltage, CCT and lumen select options and standard photocell in an elegant design. These bollards are ideal for pathway lighting in commercial and residential applications such as condos, townhouses, office buildings, campuses, shopping malls, and more.

#### IDEAL APPLICATIONS

- ✓ Pathways
- ✓ Townhouses
- ✓ Condos
- ✓ Campuses
- ✓ Parkettes
- ✓ Shopping Malls

#### SPECIFICATIONS

	SBL6F/SBL6D	SBL6DLV/SBL6FLV	SBL6S
<b>PERFORMANCE</b>			
<b>Light Output</b>	3400/2800/2000 lm (Lumen Selectable)	1700/1300/950 lm (Lumen Selectable)	3200/2600/1900 lm (Lumen Selectable)
<b>Efficacy</b>	149 lm/W	76 lm/W	139 lm/W
<b>CCT</b>	3000/4000/5000K (CCT Selectable)		
<b>Beam Distribution</b>	Type V - 360 Degree		
<b>LED Lifetime (L80)</b>	>100,000 Hrs		
<b>CRI</b>	74	74	75
<b>BUG Rating</b>	B2-U3-G2	B1-U3-G2	B2-U3-G2
<b>ELECTRICAL</b>			
<b>Wattage</b>	24/19/14W		
<b>Voltage</b>	120-277V		
<b>Surge Protection</b>	4kV (Built-in Driver) as per ANSI/C82.77-5-207		
<b>Power Factor</b>	>0.99		
<b>CONSTRUCTION</b>			
<b>Housing</b>	Extruded aluminum shaft, Die-cast base		
<b>Lens</b>	Polycarbonate		
<b>Paint</b>	Corrosion resistant polyester powder coating. Salt Spray tested for 1000 hours		
<b>Height</b>	42"	43.6"	42"
<b>Shaft Dimension</b>	ø 6.3"		6.3" x 6.3"
<b>Bolt Circle Diameter</b>	3.94"		5.57"
<b>Weight</b>	15.2 lbs	16.2 lbs	19.32 lbs
<b>Ambient Operating Temperature</b>	-40°C to 50°C, -40°F to 122°F		
<b>CERTIFICATIONS</b>			
cULus Listed for Canada and USA, per UL 1598, CSA C22.2 No. 250.0			
IK10, IP65, DLC Premium (SBL6DLV/SBL6FLV are not DLC Listed)			
<b>CONTROLS</b>			
0-10V Dimming (5%-100%)			
DC Dusk to Dawn Photocell			



MAX AMPERAGE DRAW (A)				
	120V	208V	240V	277V
SBL6-LED24A14	0.210	0.121	0.105	0.091

LUMEN MAINTENANCE		
L90	L80	L70
54,000 Hrs	120,000 Hrs	185,000 Hrs

Life hours are derived from IESNA LM-80 testing report and projected per IESNA TM-21 calculations.

### ORDERING GUIDE



Fixture	Wattage	Voltage	Colour Temp.	Beam Distribution	Finish	Dimming	Controls
SBL6F SBL6D SBL6FLV SBL6DLV SBL6S	Max 24W Min 14W	B - 120-277V	VK - Colour Selectable (3000K/ 4000K/ 5000K)	T5- 360 Degree	BRZ - Bronze	DIM - 0-10V Dimming	PC - Photocell

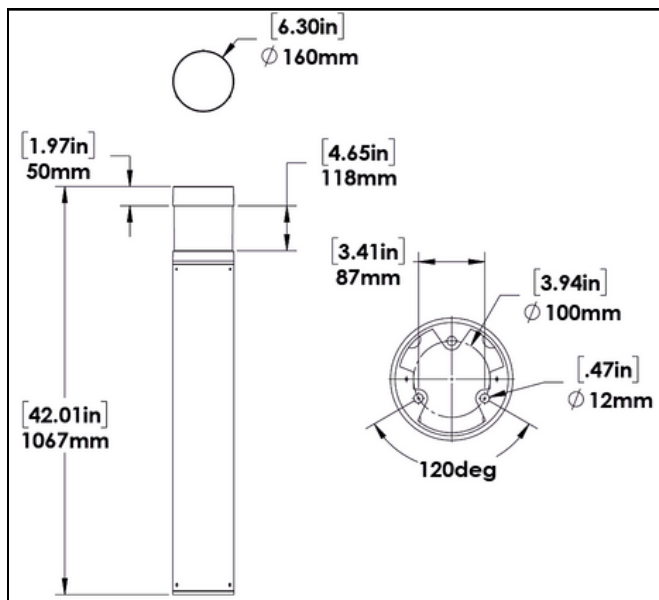
Default Setting: 24W, 4000K, Photocell ON

STOCK CODE	
052880	SBL6D-LED24A14-B-VK-T5-BRZ-DIM-PC
052878	SBL6DLV-LED24A14-B-VK-T5-BRZ-DIM-PC
052879	SBL6F-LED24A14-B-VK-T5-BRZ-DIM-PC
052877	SBL6FLV-LED24A14-B-VK-T5-BRZ-DIM-PC
052881	SBL6S-LED24A14-B-VK-T5-BRZ-DIM-PC

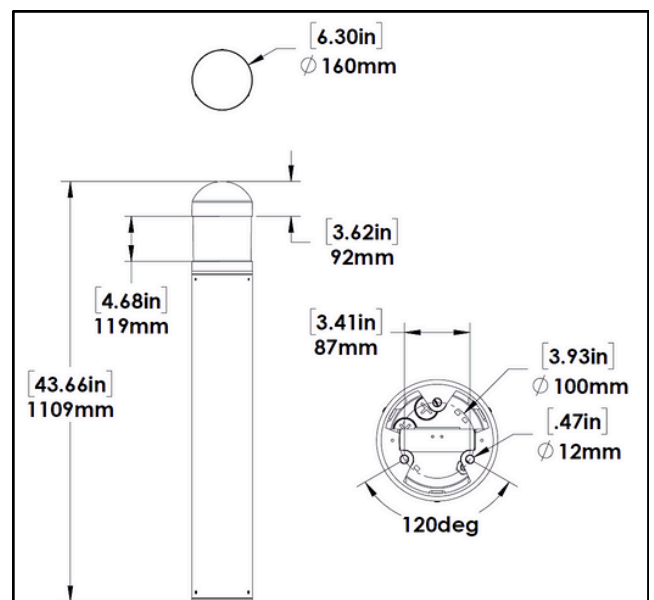
INCLUDED IN THE BOX	
	TEMPLATE
	ANCHOR BOLT SET (x3)

### DIMENSIONS

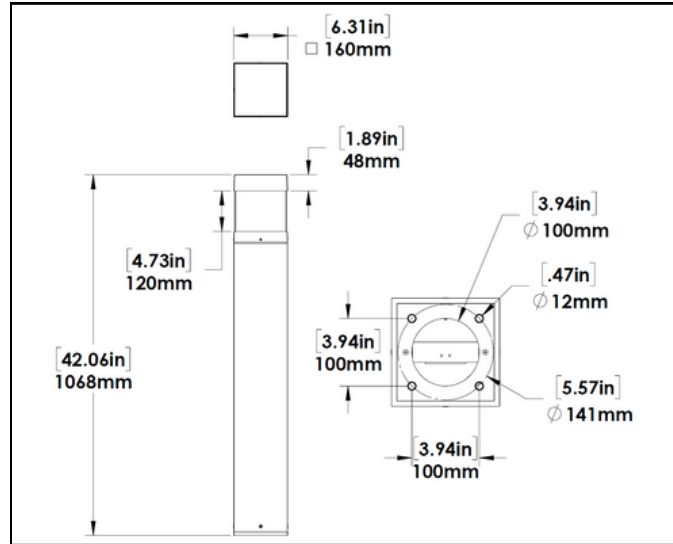
#### SBL6F/SBL6FLV



#### SBL6D/SBL6DLV

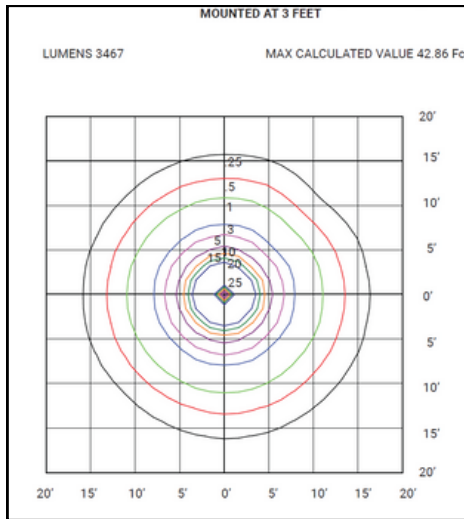


**SBL6S**

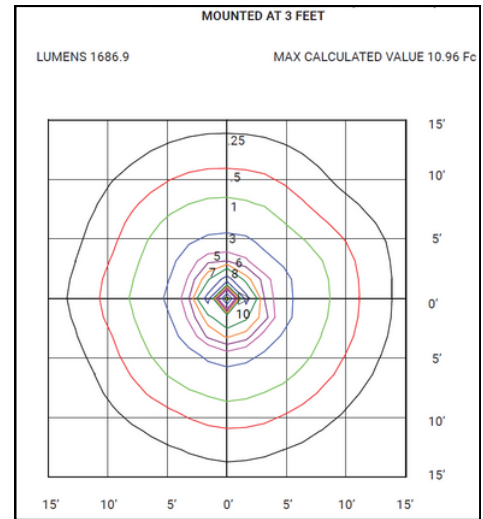


**PHOTOMETRIC PLOTS**

**SBL6F/SBL6D (24W, 120V, 4000K)**



**SBL6FLV/SBL6DLV (24W, 120V, 4000K)**



**SBL6S (24W, 120V, 4000K)**

