



XFL-LED Series Floodlight



The XFL is a floodlight with field adjustable beam distribution, ensuring contractors get light exactly where they need it. Along with a host of customizable features such as adjustable lumens and adjustable CCT, XFL family incorporates sturdy design built for extreme weather conditions. It is truly an innovation that gets the job done right the first time

IDEAL APPLICATIONS

- Parking Lots
- Patios
- Facades
- Commercial Plazas
- Yards
- Walkways

SPECIFICATIONS

	XFL4-LED150A100	XFL5-LED300A150	XFL6-LED500A350
PERFORMANCE			
Light Output	22500/18000/15000 lm	45000/36000/22500 lm	75000/60000/52500 lm
Efficacy	158 lm/W	151 lm/W	159 lm/W
CCT	CCT Selectable (3000K/4000K/5000K)		
LED Lifetime (L80)	110,000 Hrs		
CRI	84		
B-U-G	B4-U0-G1	B5-U0-G3	B5-U0-G2
BEAM DISTRIBUTION			
Standard	Field Adjustable [Extra Wide (90°, 7x6), Wide (75°, 6x6), Medium wide (55°, 5x5)]		
Narrow (Factory Installed)	Narrow (30°, 5x5)	Field Adjustable [Narrow (30°, 5x5), (25°, 4x4), or (20°, 4x4)]	
ELECTRICAL			
Wattage	150/120/100 W	300/240/150 W	500/400/350 W
Voltage	120-277 V		
Surge Protection	6 kV Internal and 10kV External		
Power Factor	> 0.98		
THD	< 10%		
Dimming	0-10 V (0-100%)		
CONSTRUCTION			
Housing	Die Cast Aluminum		
Lens	Clear Glass Lens		
Paint Specs.	Weather and Corrosion Resistant Polyester Powder Coat Finish		
Housing Finish	Bronze, Custom Finish		
Mounting	Slip Fitter (pre-installed), Yoke (included in box)		
Weight (with Mounting)	5.35 kg (11.8lbs)	8.5 kg (18.74lbs)	13.3kg (29.26lbs)
Cable Specs	Input Power - 1m Cabtire Cable (3x18 AWG), Dimming - 1m Cabtire Cable (2x18 AWG)		
AMBIENT OPERATING TEMPERATURE			
-40°C to +50°C (-40°F to +122°F)			
CERTIFICATIONS			
cULus certified as per UL1598 & CSA C22.2 NO.250.0:21, Wet Location, 7 Year Warranty, IP65, DLC Premium			

Electrical and Light Performance data is based on LM79 test report at 4000K CCT, 120V and 90° Beam.



MAX AMPERAGE DRAW (A)				
	120V	208V	240V	277V
XFL4-LED150A100	1.313	0.757	0.656	0.569
XFL5-LED300A150	2.625	1.514	1.313	1.137
XFL6-LED500A350	4.375	2.524	2.188	1.895

LUMEN MAINTENANCE	
L90	L80
51,000 Hrs	110,000 Hrs

Life hours are derived from IESNA LM-80 testing report and projected per IESNA TM-21 calculations.

EPA (ft ²)			
	0° tilt	45° tilt	90° tilt
XFL4-LED150A100	0.71	0.92	0.95
XFL5-LED300A150	1.3	0.92	1.8
XFL6-LED500A350	1.9	0.92	2.8

ORDERING GUIDE



Fixture	Wattage	Voltage	Color Temp.	Optics	Finish	Dimming
---------	---------	---------	-------------	--------	--------	---------

XFL4	LED150A100	B - 120-277V	VK - CCT Selectable (3000K/4000K/ 5000K)	VDW - Adjustable* (90°, NEMA 7x6) (75°, NEMA 6x6) (55°, NEMA 5x5)	BRZ - Bronze* CST - Custom Finish	DIM - 0-10V Dimming
XFL5	LED300A150					
XFL6	LED500A350					



Controls	Mounting	Surge Protection
----------	----------	------------------

PC - Photocontrol	FCM - Field Convertible Mounting	SP10 - 10kV Surge Protection
----------------------	--	---------------------------------

N - Narrow**
(30°, NEMA 5x5)

VDN - Adjustable
(30°, NEMA 5x5)
(25°, NEMA 4x4)
20°, NEMA 4x4)

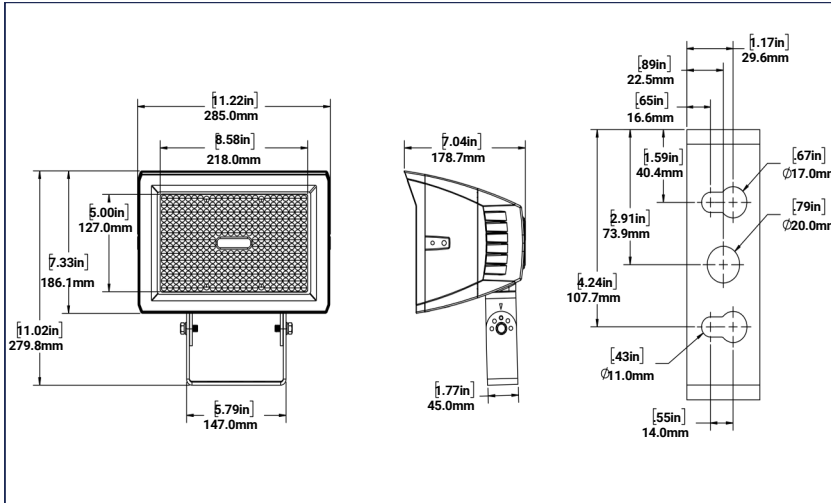
*Standard

** Available for XFL4

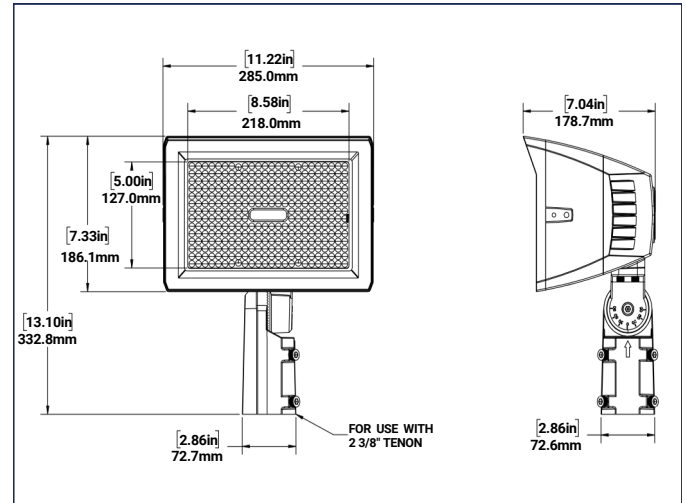
Default Factory Setting: 4000K/ highest lumen setting/ 90°
Slip fitter attached, Yoke included in the box

STOCK CODE	
053008	XFL4-LED150A100-B-VK-VDW-BRZ-DIM-PC-FCM-SP10
053138	XFL4-LED150A100-B-VK-N-BRZ-DIM-PC-FCM-SP10
053009	XFL5-LED300A150-B-VK-VDW-BRZ-DIM-PC-FCM-SP10
053094	XFL5-LED300A150-B-VK-VDN-BRZ-DIM-PC-FCM-SP10
053100	XFL6-LED500A350-B-VK-VDW-BRZ-DIM-PC-FCM-SP10
053101	XFL6-LED500A350-B-VK-VDN-BRZ-DIM-PC-FCM-SP10

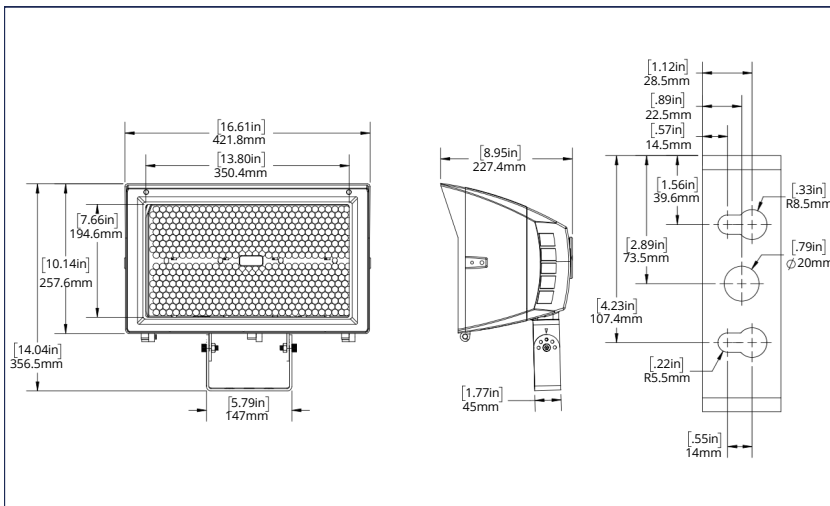
XFL4 Yoke Mount



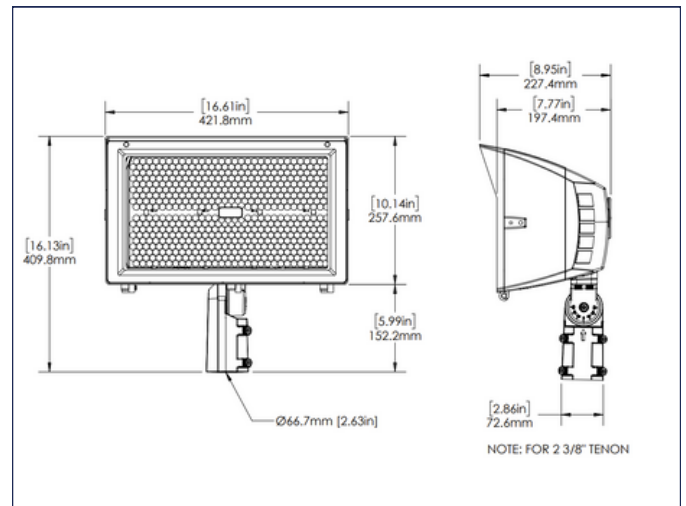
XFL4 Slipfitter



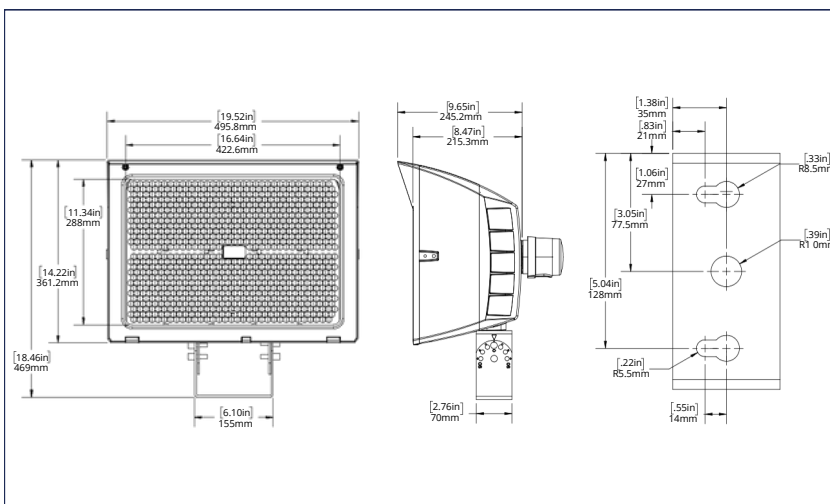
XFL5 Yoke Mount



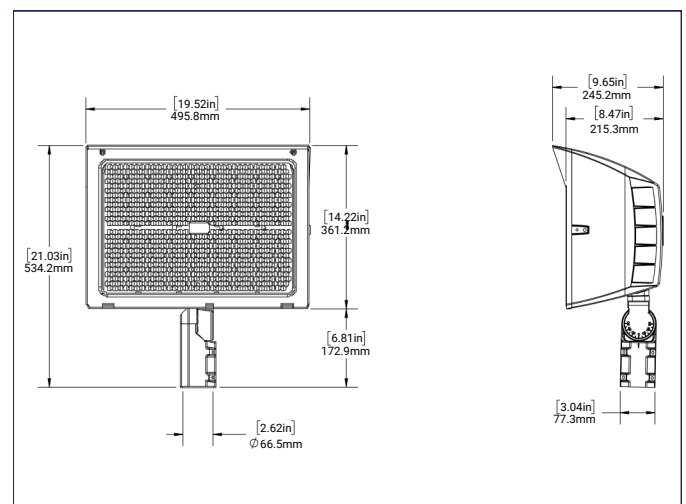
XFL5 Slipfitter



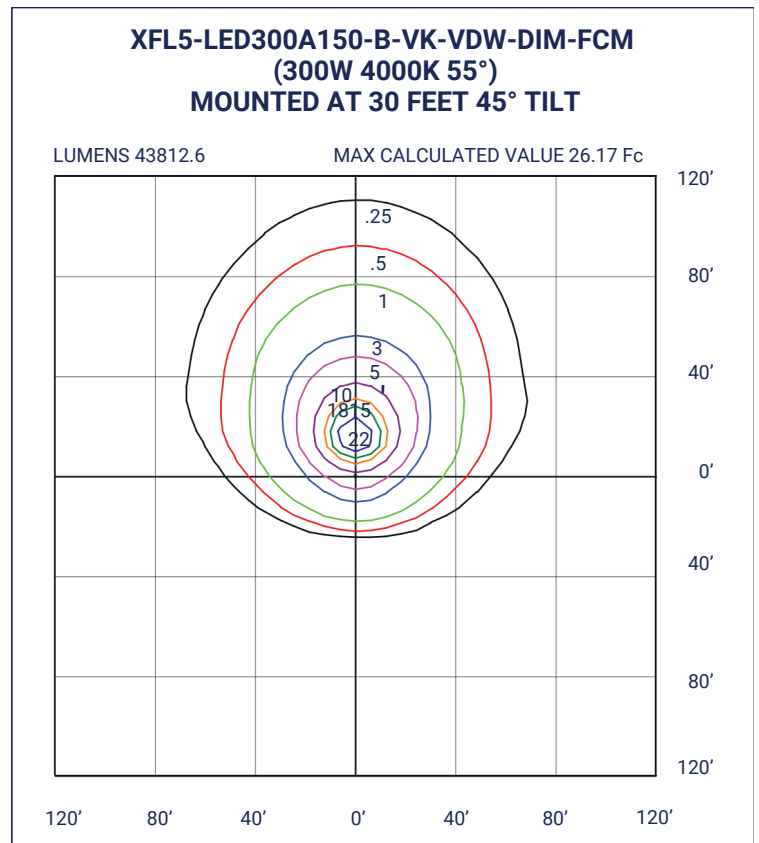
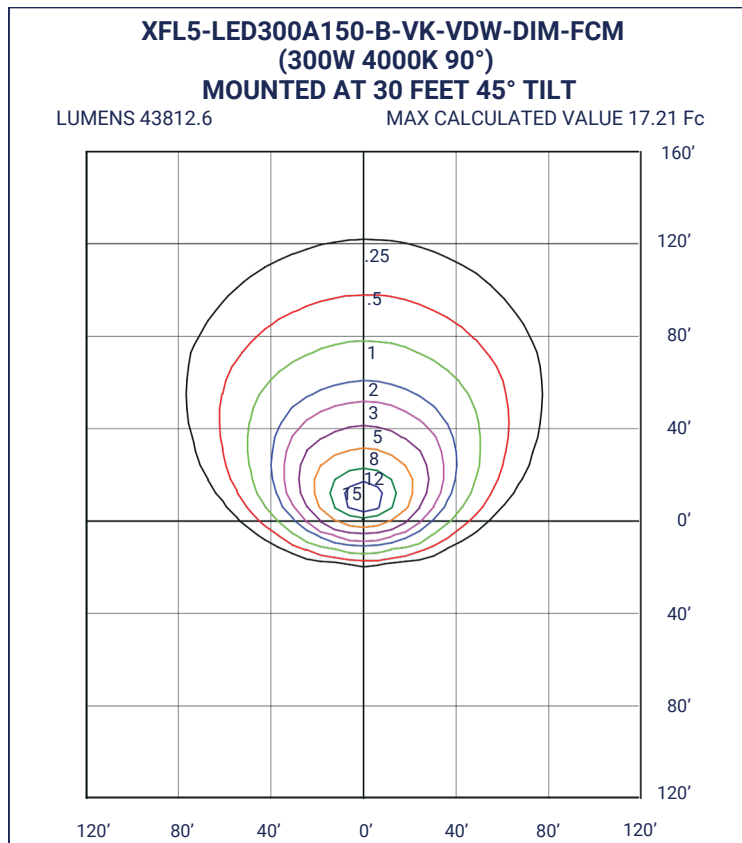
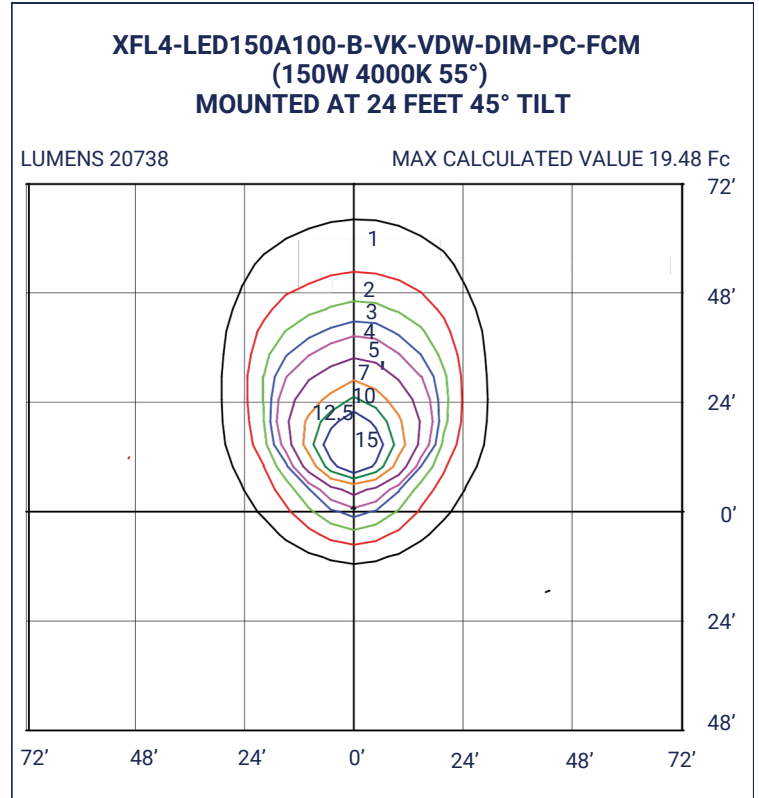
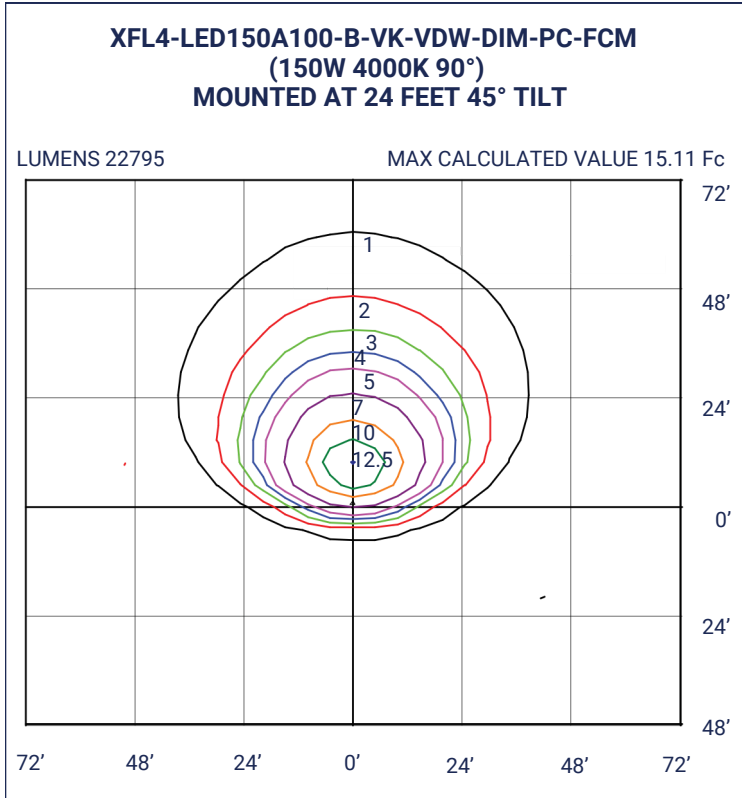
XFL6 Yoke Mount



XFL6 Slipfitter



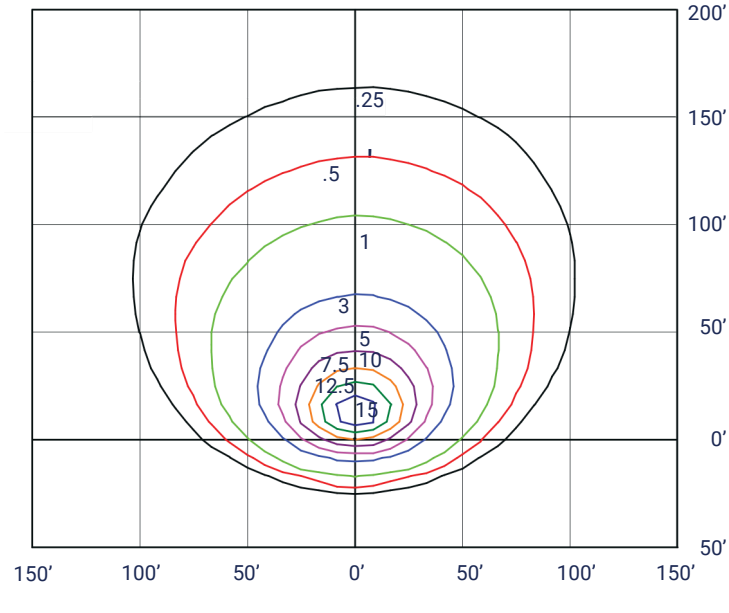
PHOTOMETRIC PLOTS



**XFL6-LED500A350-B-VK-VDN-DIM-FCM
(500W 5000K 90°)
MOUNTED AT 40 FEET 45° TILT**

LUMENS 74528.8

MAX CALCULATED VALUE 16.52Fc



**XFL6-LED500A350-B-VK-VDN-DIM-FCM
(500W 5000K 55°)
MOUNTED AT 40 FEET 45° TILT**

LUMENS 64359.2

MAX CALCULATED VALUE 19.56Fc

