

INSTALLATION INSTRUCTIONS



ELECTRICAL SHOCK HAZARD

READ, UNDERSTAND, and FOLLOW these instructions before installing the equipment.

WARNING

Disconnect the Electrical supply power at the service panel (fuse or circuit breaker box). Failure to do so could result in serious injury or death. Only qualified electricians should install this fixture and the installation **MUST** conform to the local electrical code and all local codes and ordinances. Ensure that only proper tools, materials, and equipment are used to complete the installation.

SAFETY

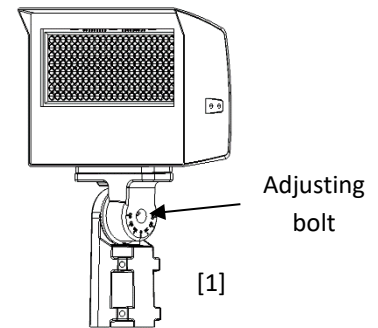
- Proper grounding is required to ensure personal safety.
- Fixture should be mounted in locations where unauthorized personnel will not readily subject it to tampering.
- Do not use this equipment for anything other than its intended purpose.
- Servicing this equipment should be performed by qualified service personnel.
- Save these instructions.
- **MIN 75 °C SUPPLY CONDUCTOR**

INSTALLATION

Slip Fitter:

1. Slip Fitter is installed as standard on this fixture. [1]
2. Loosen the adjusting bolt, align the fixture to required angle. Tighten adjusting bolt after the angle is confirmed.

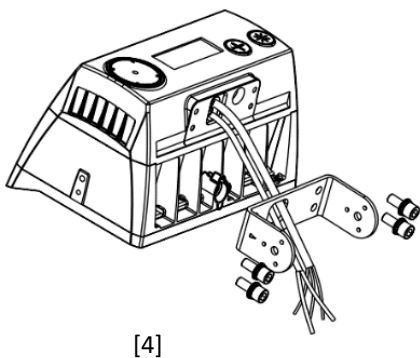
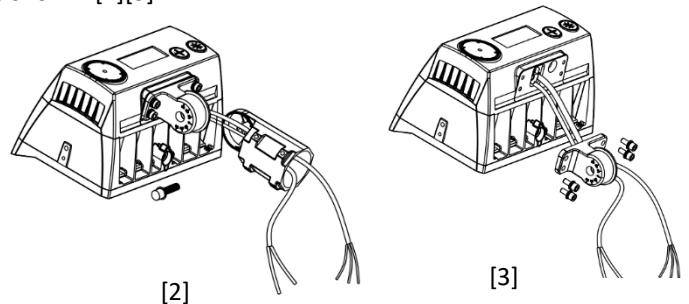
Note: Adjustable angle is 180°.



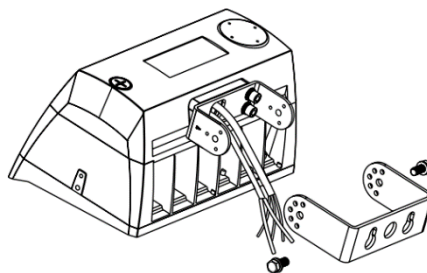
Yoke:

1. Remove slip fitter bracket and mounting screws on the fixture as shown. [2][3]
2. Install the yoke on the fixture as shown. [4][5][6]
3. Make the wiring connections as per diagram below. Install the yoke onto chosen mounting location.
4. Loosen the adjusting bolts, align the fixture to required angle. Tighten adjusting bolts after the angle is confirmed.[7][8]

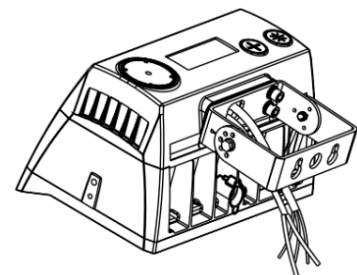
Note: Adjustable angle is 180°.



[4]

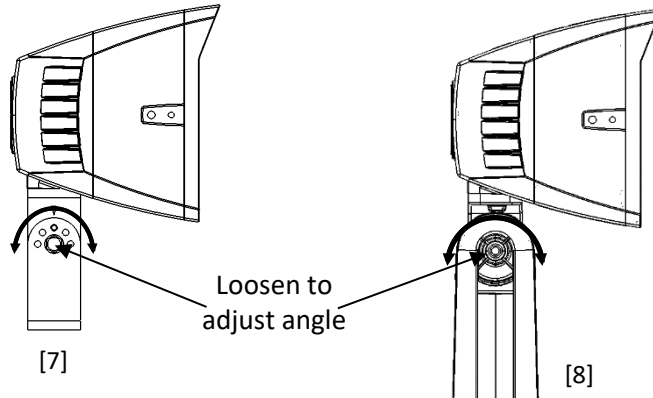


[5]



[6]

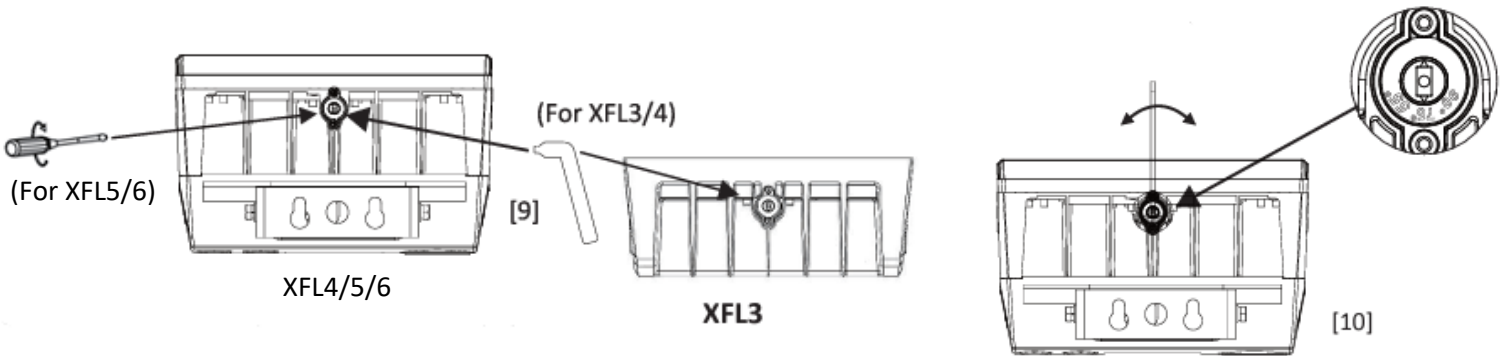
INSTALLATION INSTRUCTIONS



Adjustable optics:

XFL3/4/5/6 VDW (Wide) models: turn the slot [9] to adjust the beam distribution to 90°, 75°, or 55° [10];

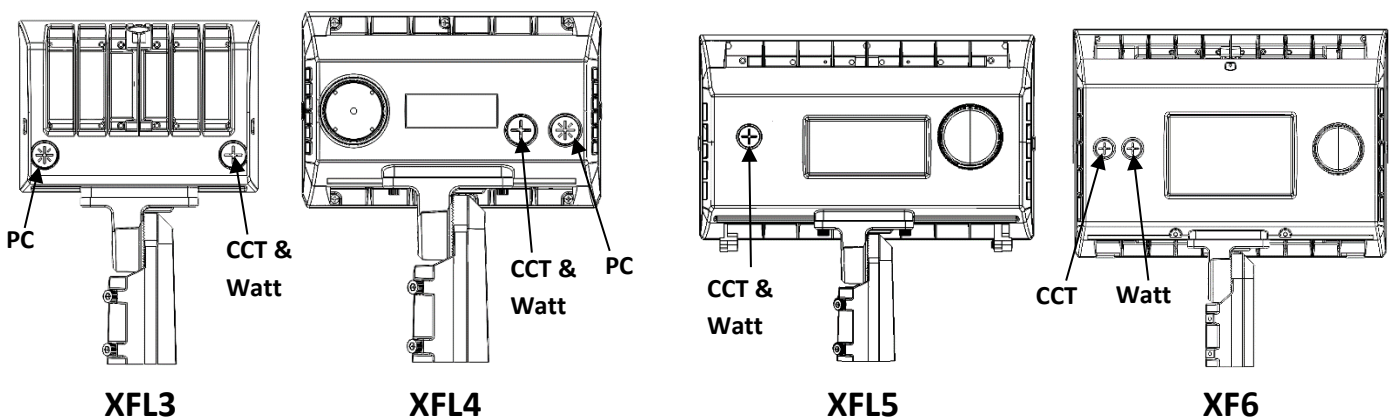
XFL5/6 VDN (Narrow) models: turn the slot [9] to adjust beam distribution to 30°, 25°, or 20°.



CCT, Lumen Select, Photocontrol:

1. Remove the screw caps to reveal either CCT & Wattage, CCT, Wattage, or Photocell (PC) control switches [11] [12]. As standard, fixture is set to 4000K CCT and highest wattage, and Photocontrol is set to ON. Switches will differ for different versions of the XFL.

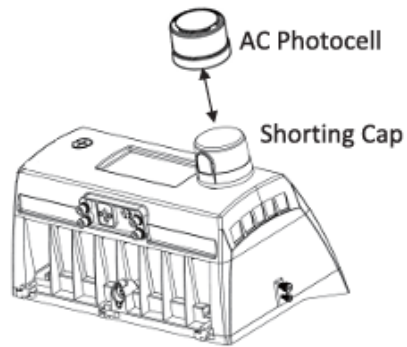
Note: XFL3/4 uses DC Photocell, located behind the screw cap, while XFL5/6 uses AC Photocell.



XFL3/4/5/6-LED



INSTALLATION INSTRUCTIONS



XFL5/6



WIRING

- Check that the line voltage is correct.
- Connect fixture **GROUND** (green) wire to power supply **GROUND** (green) wire.
- Connect fixture **WHITE** wire to power supply **NEUTRAL** wire.
- Connect fixture **BLACK** wire to power supply **LINE** wire.
- The fixture includes 0-10V dimming functionality, connect **DIM-** (pink) and **DIM+** (violet) wires to a 0-10V dimming controller (optional).

