



XFL-LED Series Floodlight



The XFL is a flood light with field adjustable beam distribution, ensuring contractors get light exactly where they need it. Along with a host of customizable features such as adjustable lumens and adjustable CCT, XFL family incorporates sturdy design built for extreme weather conditions. It is truly an innovation that gets the job done right the first time

IDEAL APPLICATIONS

- Parking Lots
- Patios
- Facades
- Commercial Plazas
- Yards
- Walkways

SPECIFICATIONS

	XFL1-LED35A15	XFL2-LED60A35	XFL3-LED80A60
PERFORMANCE			
Light Output	5250/3750/2250 lm	9000/6750/5250 lm	15000/12000/9000 lm
Efficacy	147 lm/W	155 lm/W	166 lm/W
CCT	CCT Selectable (3000K/4000K/5000K)		
LED Lifetime (L80)	110,000 Hrs		
CRI	84		
B-U-G	B2-U0-G0	B3-U0-G0	B3-U0-G1
BEAM DISTRIBUTION			
Standard	Field Adjustable [Extra Wide (90°, 7x6), Wide (75°, 6x6), Medium wide (55°, 5x5)]		
Narrow (Factory Installed)	Narrow (30°, 5x5)		
ELECTRICAL			
Wattage	35/25/15 W	60/45/35 W	80/70/60 W
Voltage	120-277 V		
Surge Protection	2.5 kV	6 kV	6 kV Internal and 10kV External
Power Factor	> 0.98		
THD	< 10%		
Dimming	0-10 V (0-100%)		
CONSTRUCTION			
Housing	Die Cast Aluminum		
Lens	Clear Glass Lens		
Paint Specs.	Weather and Corrosion Resistant Polyester Powder Coat Finish		
Housing Finish	Bronze, Custom Finish		
Mounting	Knuckle (pre-installed), Yoke & Mounting Plate (included in box)		Slip Fitter (pre-installed), Yoke (included in box)
Weight (with Mounting)	1.2 kg (2.69lbs)	1.8 kg (3.97lbs)	4.1 kg (9.04lbs)
Cable Specs	Input Power - 0.5m Cabtire Cable (3x18 AWG), Dimming - 0.5m Cabtire Cable (2x18 AWG)		
AMBIENT OPERATING TEMPERATURE			
-40°F to +122°F (-40°C to +50°C)			
CERTIFICATIONS			
cULus certified as per UL1598 & CSA C22.2 NO.250.0:21, Wet Location, 7 Year Warranty, IP65, DLC Premium			

Electrical and Light Performance data is based on LM79 test report at 4000K CCT, 120V and 90° Beam.



MAX AMPERAGE DRAW (A)				
	120V	208V	240V	277V
XFL1-LED35A15	0.306	0.177	0.153	0.133
XFL2-LED60A35	0.525	0.303	0.263	0.227
XFL3-LED80A60	0.700	0.404	0.350	0.303

LUMEN MAINTENANCE	
L90	L80
51,000 Hrs	110,000 Hrs

Life hours are derived from IESNA LM-80 testing report and projected per IESNA TM-21 calculations.

EPA (ft ²)			
	0° tilt	45° tilt	90° tilt
XFL1-LED35A15	0.18	0.37	0.40
XFL2-LED60A35	0.25	0.54	0.58
XFL3-LED80A60	0.39	0.78	0.90

ORDERING GUIDE



Fixture	Wattage	Voltage	Color Temp.	Optics	Finish	Dimming
XFL1	LED35A15	B - 120-277V	VK - CCT Selectable (3000K/4000K/ 5000K)	VDW - Adjustable* (90°, NEMA 7x6) (75°, NEMA 6x6) (55°, NEMA 5x5) N - Narrow (30°, NEMA 5x5)	BRZ - Bronze* CST - Custom Finish	DIM - 0-10V Dimming
XFL2	LED60A35					
XFL3	LED80A60					



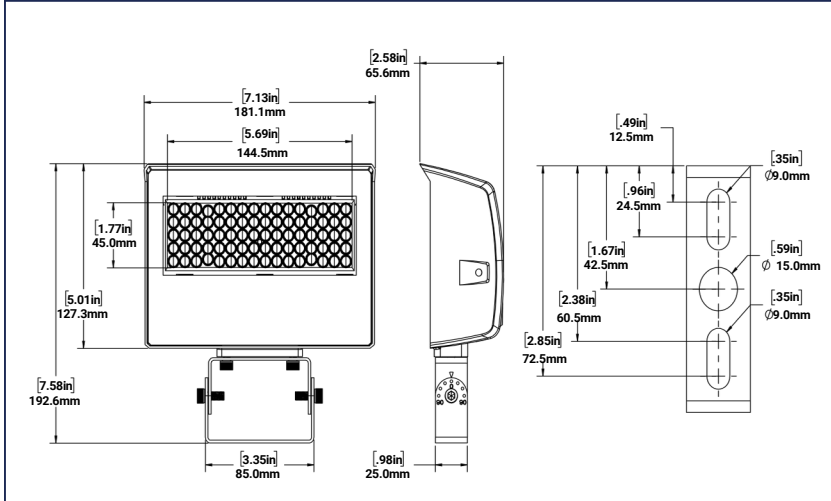
Controls	Mounting	Surge Protection
PC - Photocontrol	FCM - Field Convertible Mounting	BLANK (XFL1/2) SP10 - 10kV Surge Protection (XFL3)

*Standard

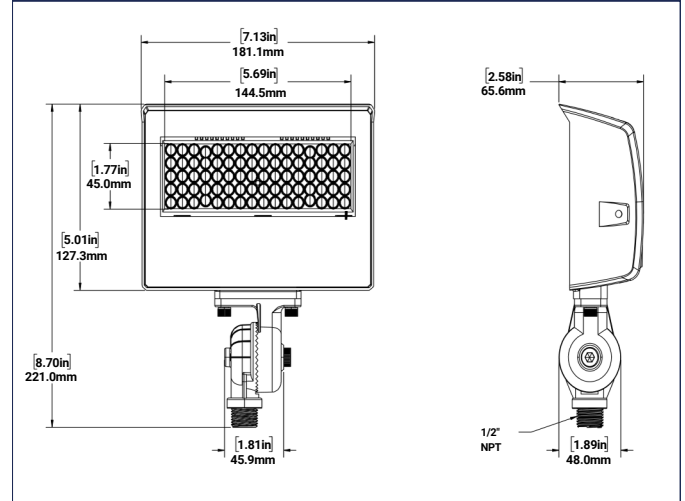
Default Factory Setting: 4000K/ highest lumen setting/ 90°/ PC ON
Knuckle attached for XFL1/2. Yoke and Mounting Plate included in the box.
Slip fitter attached for XFL3. Yoke included in the box

STOCK CODE	
053005	XFL1-LED35A15-B-VK-VDW-BRZ-DIM-PC-FCM
053135	XFL1-LED35A15-B-VK-N-BRZ-DIM-PC-FCM
053006	XFL2-LED60A35-B-VK-VDW-BRZ-DIM-PC-FCM
053136	XFL2-LED60A35-B-VK-N-BRZ-DIM-PC-FCM
053007	XFL3-LED80A60-B-VK-VDW-BRZ-DIM-PC-FCM-SP10
053137	XFL3-LED80A60-B-VK-N-BRZ-DIM-PC-FCM-SP10

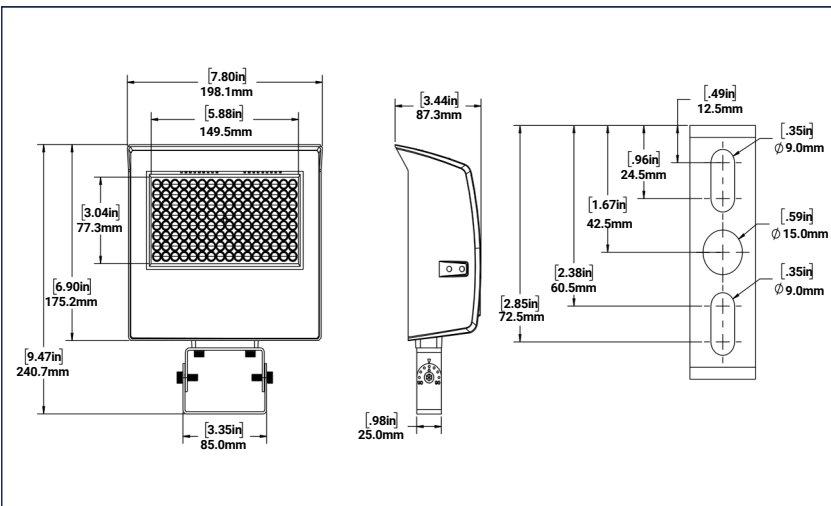
XFL1 Yoke Mount



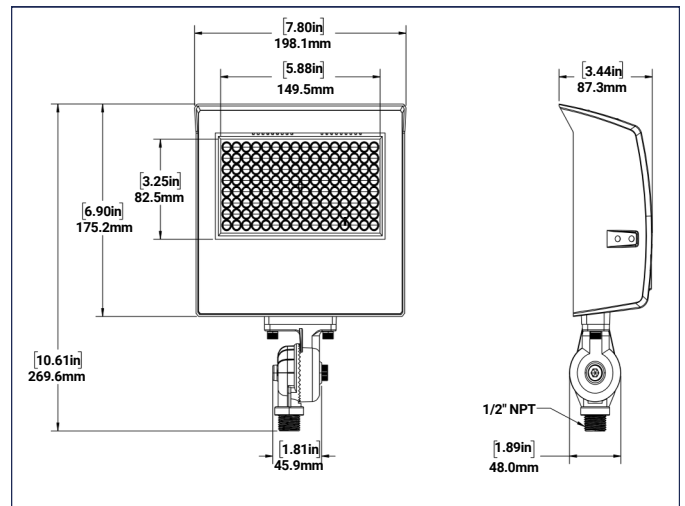
XFL1 Knuckle Mount



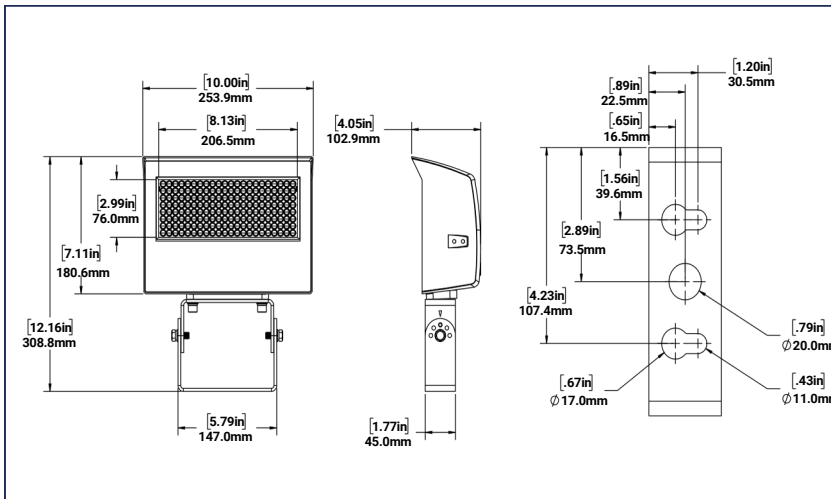
XFL2 Yoke Mount



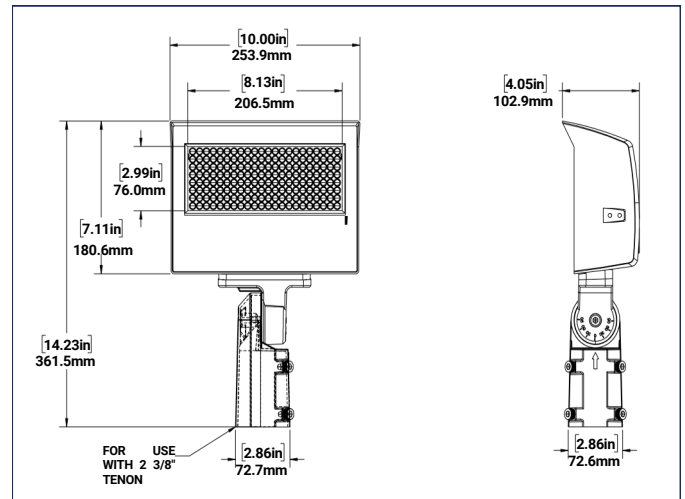
XFL2 Knuckle Mount



XFL3 Yoke Mount



XFL3 Slipfitter



PHOTOMETRIC PLOTS

