



VEKX-LED LED Wall Light



The VEKX-LED Series wall light offers a sleek adjustable head for precise beam control, wide voltage range, and the flexibility of field selectable CCT and lumens. It is the perfect lighting solution for malls, schools, offices, and commercial buildings

IDEAL APPLICATIONS

- ✔ Perimeter Lighting
- ✔ Condos
- ✔ Shopping Malls
- ✔ Architectural Application
- ✔ Schools
- ✔ Townhouses

SPECIFICATIONS

	VEK1X-LED30A15	VEK2X-LED60A30	VEK3X-LED90A60
PERFORMANCE			
Lumens	4700/3700/2500 lm	9600/6600/5100 lm	14000/11000/10000 lm
Efficacy	170 lm/W		
Color Temp	3000/4000/5000K (CCT Selectable)		
Beam Distribution	Type III		
CRI	90		
Replaces Up to	150W MH	250W MH	400W MH
BUG Rating	B1-U0-G1	B2-U0-G2	B3-U0-G2
LED Lifetime (L75)	100,000 hours		
ELECTRICAL			
Wattage	30/25/15 W	60/45/30 W	90/75/60 W
Voltage	120-277V		
Surge Protection	6kV as per IEC/EN61000-4-5, Optional 10kV		
Power Factor	0.98		
THD	10%		
Dimming	0-10V(10%-100%)		
CONSTRUCTION			
Housing	Die-cast aluminum		
Lens	Polycarbonate lens		
Paint Specs.	Weather and Corrosion resistant Polyester powder coat finish		
Conduit entry	5x 1/2" NPT conduit entries		
Housing Finish	Bronze, Custom colors		
AMBIENT OPERATING TEMPERATURE			
-40°C to 40°C (-40°F to 104°F)			
CERTIFICATIONS			
cULus Listed for Canada and US as per UL1598 and CSA C22.2 No. 250			
IP65, Wet location			
DLC Premium			
CONTROLS			
0-10V Dimming (10%-100%)			
DC Photocell, DHFS, PCLS			

Note: Default factory setting is 4000K, Highest Wattage, Photocell connected
Data shown are for 120V, Highest wattage, 4000K



ORDERING GUIDE



Fixture	Wattage	Voltage	Color Temp.	Beam	Finish	Dimming	Controls
VEK1X	LED30A15	B- 120-277V	VK - Color Selectable (3000K/ 4000K/ 5000K)	T3 - Type III*	BRZ - Bronze ^a	DIM - 0-10V Dimming	PC - Photocell ^a
VEK2X	LED60A30				BLK - Matte Black		DHFS - Microwave motion sensor
VEK3X	LED90A60				WHT - White		PCLS - Sensor photocell
					CST - Custom Color		DMS - Dimming motion sensor (MS180DIM)



Options

- Blank ^a
- SP10 - 10kV Surge ^b
Protector

^aStandard Configuration

^bStandard for VEK3X

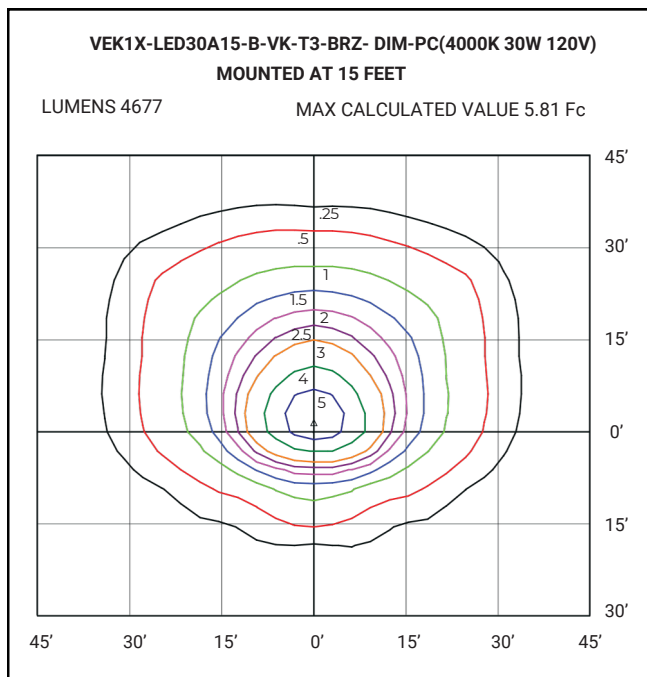
STOCK CODE	
053103	VEK1X-LED30A15-B-VK-T3-BRZ-DIM-PC
053104	VEK2X-LED60A30-B-VK-T3-BRZ-DIM-PC
053105	VEK3X-LED90A60-B-VK-T3-BRZ-DIM-PC-SP10

	MAX AMPERAGE DRAW (A)			
	120V	208V	240V	277V
VEK1X	0.263	0.151	0.131	0.114
VEK2X	0.525	0.303	0.263	0.227
VEK3X	0.788	0.454	0.394	0.272

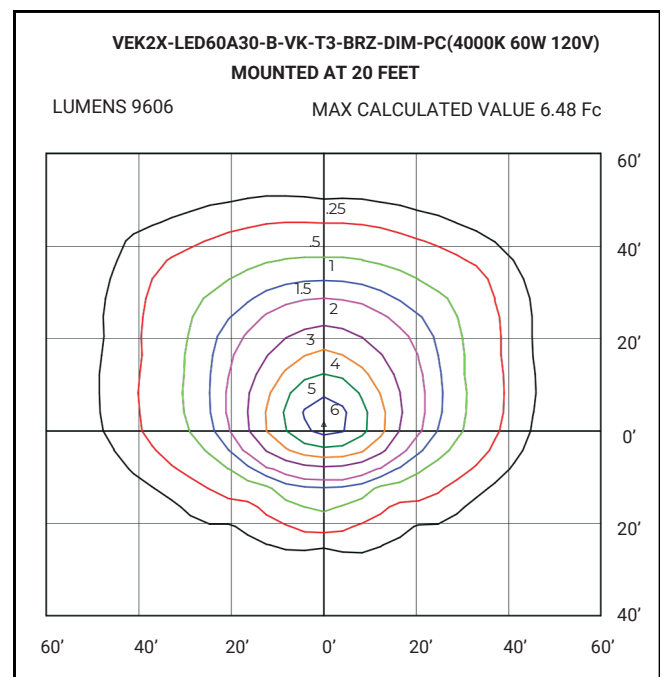
LUMEN MAINTNANCE		
L90	L80	L70
39,000 Hrs	80,000 Hrs	125,000 Hrs

PHOTOMETRIC PLOTS

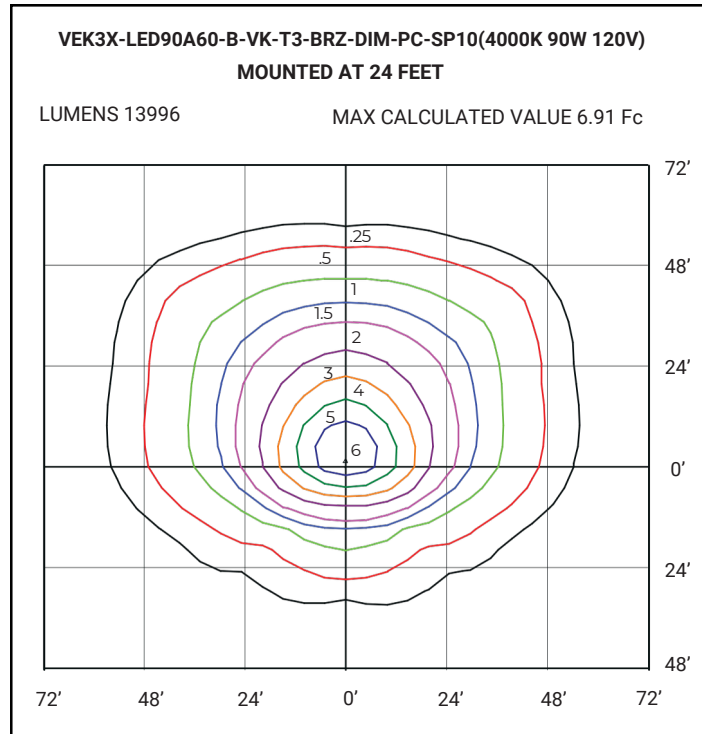
VEK1X



VEK2X

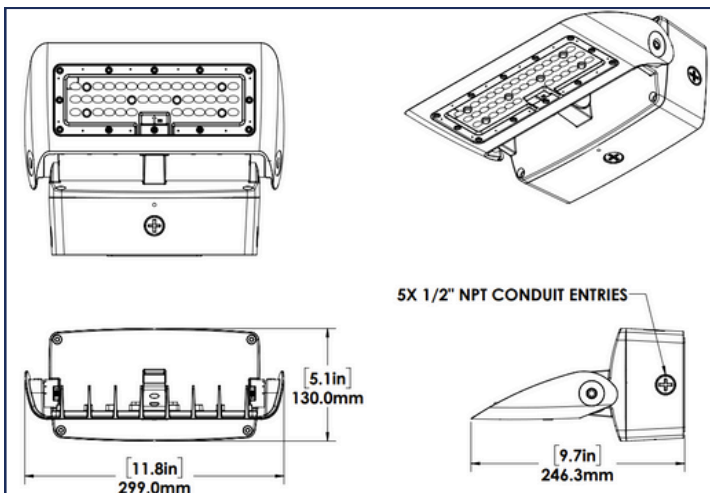


VEK3X

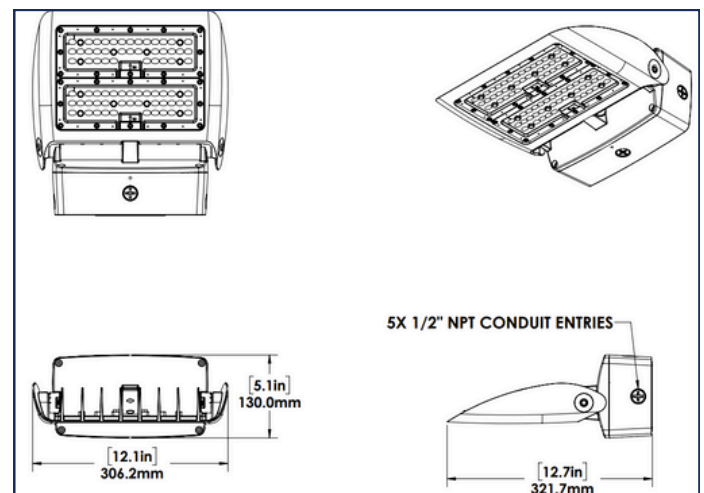


DIMENSIONS

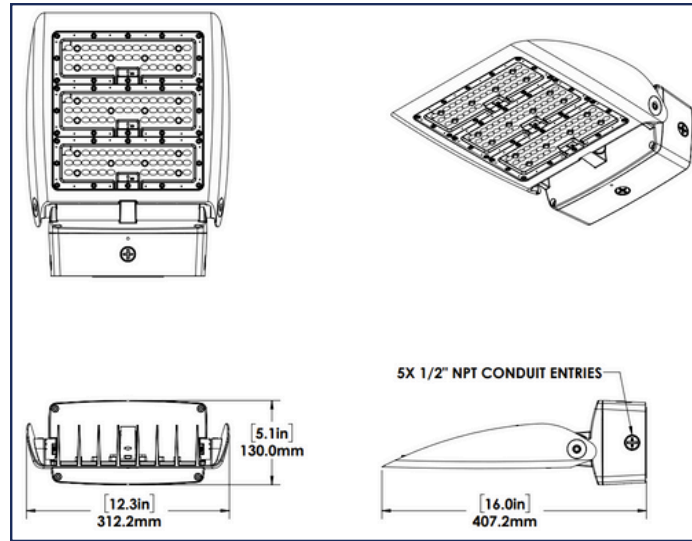
VEK1X



VEK2X



VEK3X



PHOTOCELL/CCT/LUMEN SENSOR (PCLS)

SPECIFICATIONS	
INPUT POWER	LED INPUT : MAX . 250VDC 3A; SENSOR INPUT: 10-14VDC, >30MA
INPUT CURRENT	MAX. 25MA
CONTROL OUTPUT	0-10V OUTPUT SIGNALS
POWER CONSUMPTION	MAX.0.5W
OPERATING LIGHT LEVELS	10-20LUX ON, 30-80LUX OFF
AMBIENT TEMPERATURE	99%RH
OPERATING TEMPERATURE	-40° F- +158° F (-40°C- +70°C)

New PCLS Controller allows the Installer to adjust color temperature, brightness, and photocontrol settings using a remote control after installation.

RC107 REMOTE SPECIFICATIONS (FOR PCLS CONTROLLER)

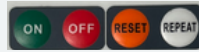
DEFAULT FACTORY SETTING

TASK LIGHT LEVEL	100%
HOLD TIME	DISABLE
PHOTOCELL	LOW
CCT	CCT LOW (WW - 3000K)

FEATURES



Detection Range:
50ft



ON:
Turn on the fixture, the brightness is according to the task level you set.

OFF:
Turn off the fixture, the fixture is permanently off.

RESET:
Task Light Level:100%; Hold Time: Disable; Photocell:Low; CCT:CCT Low (WW - 3000K)

REPEAT: Send the same setting to different fixtures installed.



DIM+:
With each push of the button, brightness increases by 10%.

DIM-:
With each push of the button, brightness decreases by 10%;

Select the task brightness of the fixture as needed.



HOLD TIME:
The "hold time" starts to count right after the fixture turns on. When the "hold time is up, the fixture adjusts to 50% brightness until the light fixture turns off.

DISABLE:
When you choose disabled, the fixture maintains the task light level



LOW:
When the ambient lux is less than 30lux, the fixture turn on at the task you set, when the ambient lux is more than 50lux, the fixture turns off.

MIDDLE:
When the ambient lux is less than 80lux, the fixture turn on at the task you set, when the ambient lux is more than 100lux, the fixture turns off.

HIGH: When the ambient lux is less than 150lux, the fixture turn on at the task level you set, when the ambient lux is more than 180lux, the fixture turns off.

DISABLE:
Photoelectric switch disabled:



CCT :
Adjust CCT(WW - Warm White/3000K, NW - Neutral White/4000K, CW - Cool White/5000K)

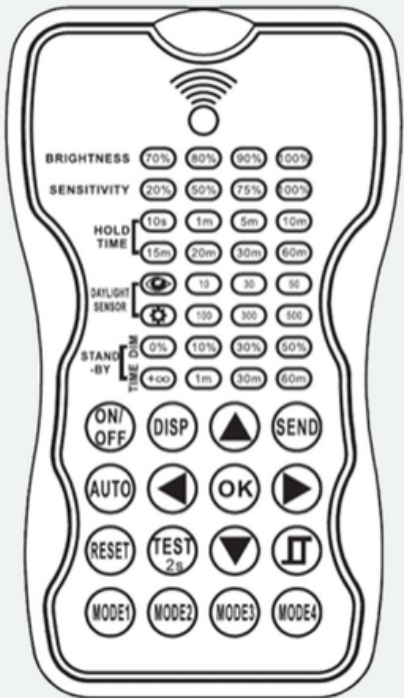
Note: Custom settings can be done based on requirements in the Factory.

DIMMING HIGH FREQUENCY MOTION SENSOR (DHFS)

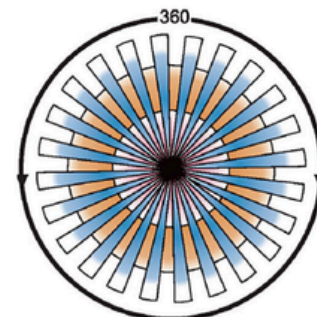
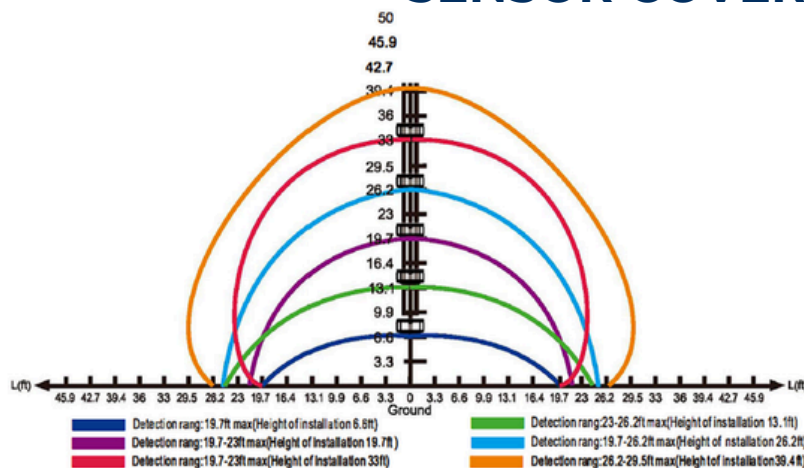
SENSOR SPECIFICATIONS	
POWER SUPPLY	12V-24V DC
HIGH FREQUENCY SYSTEM	5.8GHZ +/-75MHZ
DIM CONTROL OUTPUT	0-10V, MAX. 25MA SIMLING CURRENT
DETECTION RADIUS/ANGLE	MAX 26FT (8M)/360°
MOUNTING HEIGHT	MAX 40FT
REMOTE RANGE	50FT. (15M) INDOOR, NO BACKLIGHT
HUMIDITY	MAX. 90% RH
TEMPERATURE	-40°C to 70°C (-40°F to 158°F)

DEFAULT FACTORY SETTING	
BRIGHTNESS	100%
SENSITIVITY	100%
HOLD TIME	5 MINS
DAYLIGHT SENSOR	☼
STAND-BY DIM	30%
STAND-BY TIME	60 MINS

RC100 REMOTE SPECIFICATIONS (FOR DHFS CONTROLLER)

FEATURES	
	<p>BRIGHTNESS: Sets the highest light fixture brightness when motion is detected.</p>
	<p>SENSITIVITY: Sets the sensitivity to which the sensor will detect motion.</p>
	<p>HOLD TIME: The time the light fixture will remain at the brightness setting after it detects motion.</p>
	<p>DAYLIGHT SENSOR: The lux setting that the light fixture will turn on/off. If the ambient lux is more than the defined lux setting, the fixture & sensor function will turn off and remain off until the ambient lux is below the setting. To disable the lux sensor, select the SUN icon. To set the lux to match current room conditions, select the EYE icon.</p>
<p>STAND-BY DIM: The Dim level that the light fixture will dim down after the Hold Time has expired. To disable dimming and only have ON/OFF, select the 0% icon</p>	
<p>STAND-BY TIME: The time the light fixture will remain in the dim down state before it shuts off. To disable the light from shutting off, select the INFINITY icon.</p>	

SENSOR COVERAGE



Detection angle