



JAG2S-LED

Selectable Area Light

The JAG2S-LED is an exceptionally versatile lighting fixture, featuring field-adjustable beam distribution, high efficiency, and advanced controls to optimize lighting layouts for any area light application. Additionally, the standard fixture includes selectable features such as color selection and wattage selection, making it one of the most feature-rich area lights available on the market.



(Shown with Direct Mount for Round/Square Poles)

IDEAL APPLICATIONS

- Commercial Plazas
- Dealerships
- Schools and Campuses
- Parking Lots
- Transit Stations
- Pathways
- Perimeter Lighting

SPECIFICATIONS

	LED240A180	LED300A240
PERFORMANCE		
Light Output	38400/33600/28800 lm	48000/43200/38400 lm
Efficacy	160 lm/W	
CCT	CCT Selectable - 3000K/4000K/5000K	
Beam Distribution	Variable Distribution - VD1 (Type III/Type IV/Type V); VD2 (Type II/Type III/Type IV) (Optional)	
	Adjust beam distribution effortlessly using a switch—no need to swap or reorient optics.	
LED Lifetime (L85)	100,000 Hours	
CRI	84	
ELECTRICAL		
Wattage	240/210/180 W	300/270/240 W
Voltage	120-277V, 480V	
Surge Protection	6 kV Internal & 10 kV External per UL1449	
Power Factor	0.99	
THD	3.1%	2.82%
Dimming	0-10 V (0-100%)	
Replaces Up to	750W MH	1000W MH
Cable Specs	Input Power - 1m Cabtire Cable (3x18 AWG) Dimming - 1m Cabtire Cable (2x18 AWG)	
AMBIENT OPERATING TEMPERATURE		
Fixture	-40°F to +122°F (-40°C to 50°C)	
DEFAULT SETTINGS		
CCT	4000K	
Wattage	240 W	300 W
Beam Distribution	VD1 - Type III VD2 - Type II	

CERTIFICATIONS					
cULus Certified as per UL 1598 & CSA C22.2, IP65, Wet Location, DLC Premium					
FACTORY INSTALLED CONTROLS					
DHFS Motion Sensor, PBLs Control, Twist Lock Photocell, 3 PIN or 7 PIN Receptacle with Shorting Cap ANSI C136 compliant, 20 kV Surge Protection (120-277 V)					
OPTIONS SOLD SEPERATELY					
Slip Fitter, Direct Mount for Round/Square Poles, Trunnion Mount, Yoke Mount, House Side Cutoff, Side Cutoff, DHFS Motion Sensor Remote Control, PBLs Remote Control					
CONSTRUCTION					
Housing	Die-cast Aluminum				
Lens/Optics	Polycarbonate Lens/Optics with integral field-adjustable light distribution allows beam distribution changes without replacing or re-orienting the lens/optics.				
Paint	Weather and Corrosion Resistant Polyester Powder Coat Finish				
Housing Finish	Bronze, Custom Colors				
WEIGHT (FIXTURE ONLY)					
14.33lbs (6.5kg)					
MAX AMPERAGE DRAW (A)					
	120V	208V	240V	277V	480V
LED240A180 (240W)	2.100	1.212	1.050	0.910	0.525
LED300A240 (300W)	2.625	1.514	1.313	1.137	0.656
LUMEN MAINTENANCE					
	L90	L80	L70		
LED240A180 & LED300A240	68,000 Hours	>100,000 Hours	>120,000 Hours		

Electrical and Light Performance data is based on LM79 test report at 4000K, Type IV and 120V.

Life hours are derived from IESNA LM-80 testing report and projected per IESNA TM-21 calculations.



ORDERING GUIDE




Fixture	Wattage	Voltage	Color Temp.	Beam Distribution	Finish	Dimming	Controls	Surge Protection
JAG2S	LED240A180	B - 120-277V ^a	VK - CCT Selectable (3000K/4000K/5000K)	VD1 - Variable Distribution ^a (Type III/Type IV/Type V)	BRZ - Bronze ^a	DIM - 0-10V Dimming	Blank - No Controls ^a	SP10 - 10kV Surge Protection ^a
	LED300A240	L - 480V		VD2 - Variable Distribution (Type II/Type III/Type IV)	CST - Custom Finish		PBLS - Photocell Beam Lumen Sensor ^c	SP20 - 20kV Surge Protection ^b
							DHFS - Dimming High Frequency Motion Sensor ^d	
							PC - Photocontrol	
							3PIN - 3PIN Receptacle	
							7PIN - 7PIN Receptacle	

- a - Standard Configuration
- b - B voltage (120-277V) is only applicable to SP20
- c - One RC107 remote control is required for PBLS
- d - One RC100 remote control is required for DHFS

STOCK CODE	
053116	JAG2S-LED240A180-B-VK-VD1-BRZ-DIM-SP10
053117	JAG2S-LED300A240-B-VK-VD1-BRZ-DIM-SP10
053187	JAG2S-LED240A180-L-VK-VD1-BRZ-DIM-SP10
053188	JAG2S-LED300A240-L-VK-VD1-BRZ-DIM-SP10
053194	JAG2S-LED240A180-B-VK-VD1-BRZ-DIM-PBLS-SP10
053196	JAG2S-LED300A240-B-VK-VD1-BRZ-DIM-PBLS-SP10

- NOTE:**
- "VD1" offers selectable beam distribution options (Type III, Type IV, Type V).
 - For **Type II** beam distribution, please order "VD2" which offers selectable beam distribution options (**Type II**, Type III, Type IV).
 - "PBLS" allows **remote** adjustment of the photocell, beam distribution, and lumen output.

ACCESSORIES SOLD SEPARATELY

053185	YOKE MOUNT BRZ F/JAG2		053181	JAG2 HOUSE CUTOFF SHIELD BRZ	
052004	SLIP FITTER BRZ F/HELIX1/2 & JAG1/2		053182	JAG2 SIDE CUTOFF SHIELD BRZ	
052002	DIRECT MOUNT F/RND & SQR POLE BRZ F/HELIX1/2 & JAG1/2		052267	RC-100 MOTION SENSOR REMOTE CONTROL	
052003	DIRECT TRUNNION MOUNT BRZ F/HELIX1/2 & JAG1/2		052929	RC-107 PHOTOCONTROL REMOTE CONTROL	

EPA (ft ²)			
	Tilt 0°	Tilt 45°	Tilt 90°
JAG2S	0.67	2.37	3.21
JAG2S (with HCO)	1.08	2.37	3.21
JAG2S (with SCO)	1.49	2.37	3.21

*EPA calculation includes both fixture and slipfitter mount

PHOTOCELL/BEAM DISTRIBUTION/LUMEN SENSOR (PBLs)

PBLs Controller allows the Installer to adjust beam, lumens and photocontrol settings using a remote control after installation.



PHOTOCELL/BEAM DISTRIBUTION/LUMEN SENSOR (PBLs)	
Input Power	LED Input: Max. 250VDC 3A; Sensor Input: 10-14VDC, >30mA
Input Current	Max. 25mA
Control Output	0-10V Output Signals
Operate Level	10-20LUX ON, 30-80LUX OFF
Humidity	Max. 99% RH
Operating Temperature	-40°F to +122°F (-40°C to 50°C)

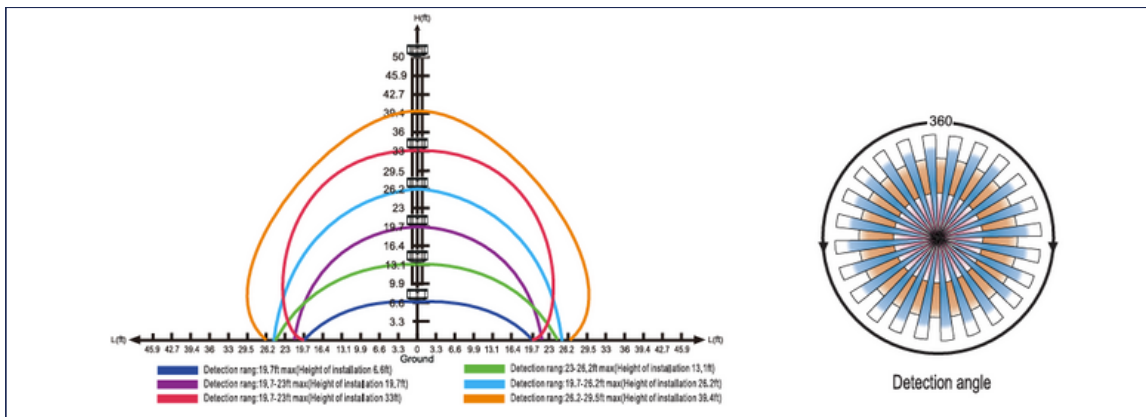
RC107 REMOTE SEPCIFICATIONS (For PBLs Controller)			
DEFAULT FACTORY SETTING			FEATURES
Task Light Level	100%		<p>ON: Turn on the fixture, brightness is set according to task level.</p> <p>OFF: Turn off the fixture, the fixture is permanently off.</p> <p>RESET: Task Light Level:100%; Hold Time: Disable; Photocell: Low; CCT:WW - Type III</p> <p>REPEAT: Send the same setting to different fixtures installed.</p>
Hold Time	Disable		<p>HOLD TIME: The "hold time" starts to count right after the fixture turns on. When the "hold time is up, the fixture adjusts to 50% brightness until the light control turns the light fixture off.</p> <p>DISABLE: When you choose disabled, the fixture maintains the task light level</p>
Photocell	Low		<p>LOW: When the ambient lux is less than 30lux, the fixture turn on at the task level you set, when the ambient lux is more than 50lux, the fixture turns off.</p> <p>MIDDLE: When the ambient lux is less than 80lux, the fixture turn on at the task level you set, when the ambient lux is more than 100lux, the fixture turns off.</p> <p>HIGH: When the ambient lux is less than 150lux, the fixture turn on at the task level you set, when the ambient lux is more than 180lux, the fixture turns off;</p> <p>DISABLE: Photoelectric switch disabled:</p>
BEAM Distribution	VD1 - TYPE III; VD2 - TYPE II		<p>Adjust Beam Distribution Setting: VD1: WW - Type III, NW - Type IV, CW - Type V, VD2: WW - Type II, NW - Type III, CW - Type IV</p>
			<p>Range: 50ft (15m)</p>

Note: Custom settings can be done based on requirements in the Factory.

DIMMING HIGH FREQUENCY MOTION SENSOR (DHFS)

DHFS Microwave motion sensor offers a range of control features based on motion detection allowing the Installer to adjust the brightness of the fixture, hold time and daylight settings using a remote control after installation.

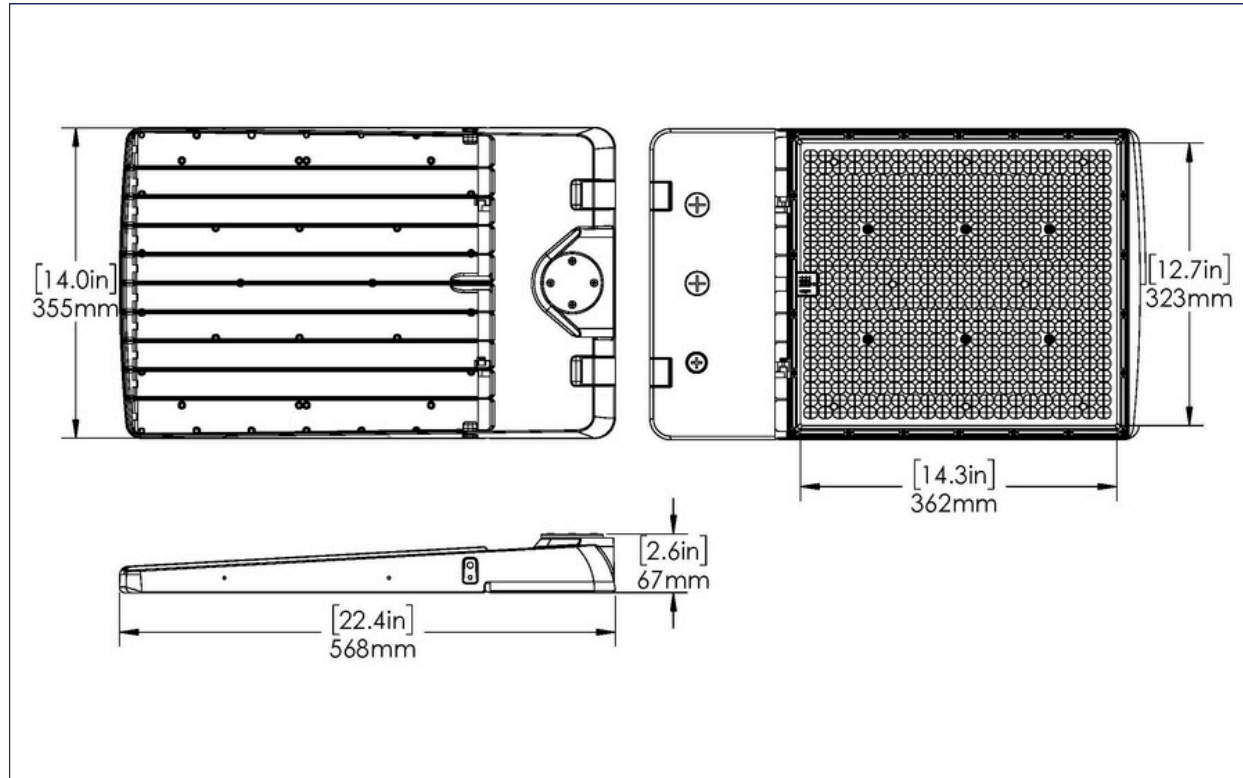
DIMMING HIGH FREQUENCY MOTION SENSOR (DHFS)	
Power Supply	12V-24V DC
High Frequency System	5.8GHz +/- 75MHz
Dim Control Output	0-10V, Max. 25mA Sinking Current
Detection Radius/Angle	Max. 26FT (8M)/360°
Mounting Height	Max. 40FT
Remote Range	50FT (15M)
Humidity	Max. 95% RH
Operating Temperature	-40°F to +122°F (-40°C to 50°C)



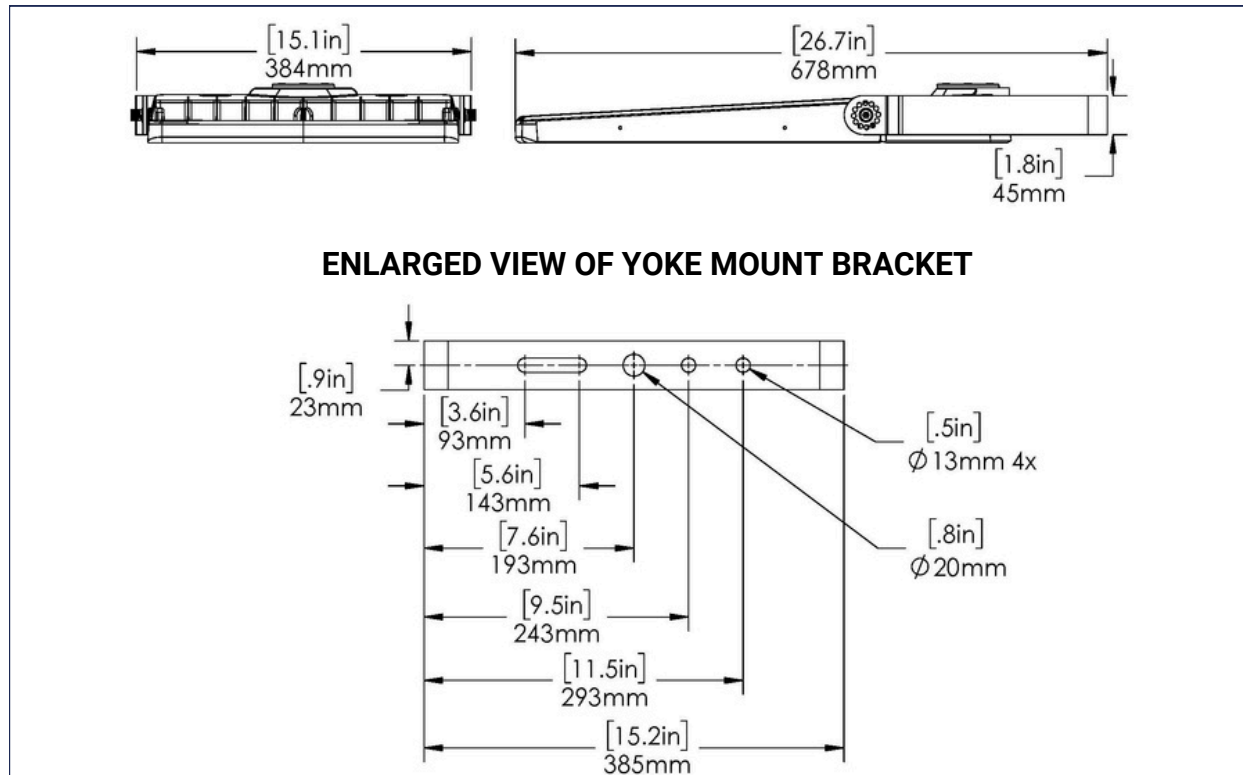
RC100 REMOTE SEPCIFICATIONS (For DHFS Controller)		FEATURES
DEFAULT FACTORY SETTING		
Brightness	100%	
Sensitivity	100%	
Hold Time	5 Mins.	
Daylight Sensor	☼	
Stand-by Dim	30%	
Stand-by Time	60 Mins.	<p>BRIGHTNESS: Sets the highest light fixture brightness when motion is detected.</p> <p>SENSITIVITY: Sets the sensitivity to which the sensor will detect motion.</p> <p>HOLD TIME: The time the light fixture will remain at the brightness setting after it detects motion.</p> <p>DAYLIGHT SENSOR: The lux setting that the light fixture will turn on/off. If the ambient lux is more than the defined lux setting, the fixture & sensor function will turn off and remain off until the ambient lux is below the setting. To disable the lux sensor, select the SUN icon. To set the lux to match current room conditions, select the EYE icon.</p> <p>STAND-BY DIM: The Dim level that the light fixture will dim down after the Hold Time has expired. To disable dimming and only have ON/OFF, select the 0% icon.</p> <p>STAND-BY TIME: The time the light fixture will remain in the dim down state before it shuts off. To disable the light from shutting off, select the INFINITY icon.</p>

Range: 15m (50ft)

FIXTURE WITHOUT MOUNT

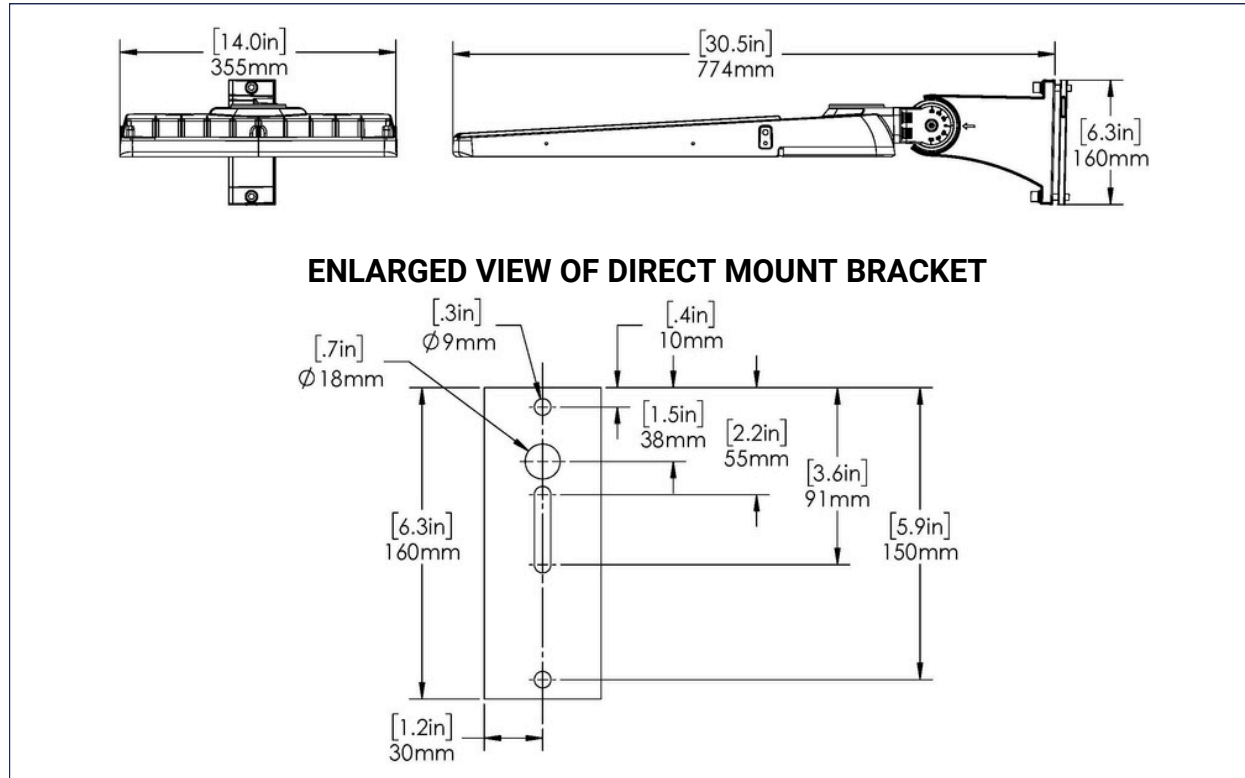


FIXTURE WITH YOKE MOUNT



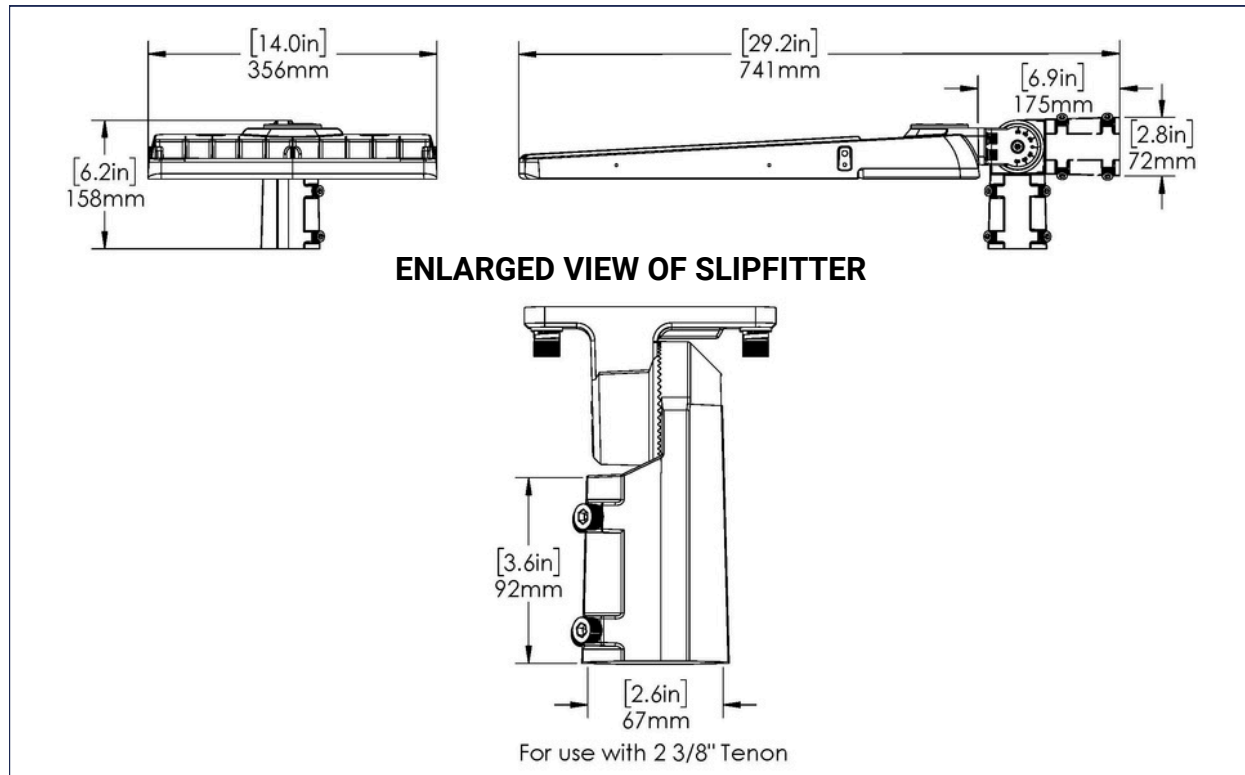
*Angle marking increment - 30°

FIXTURE WITH DIRECT MOUNT



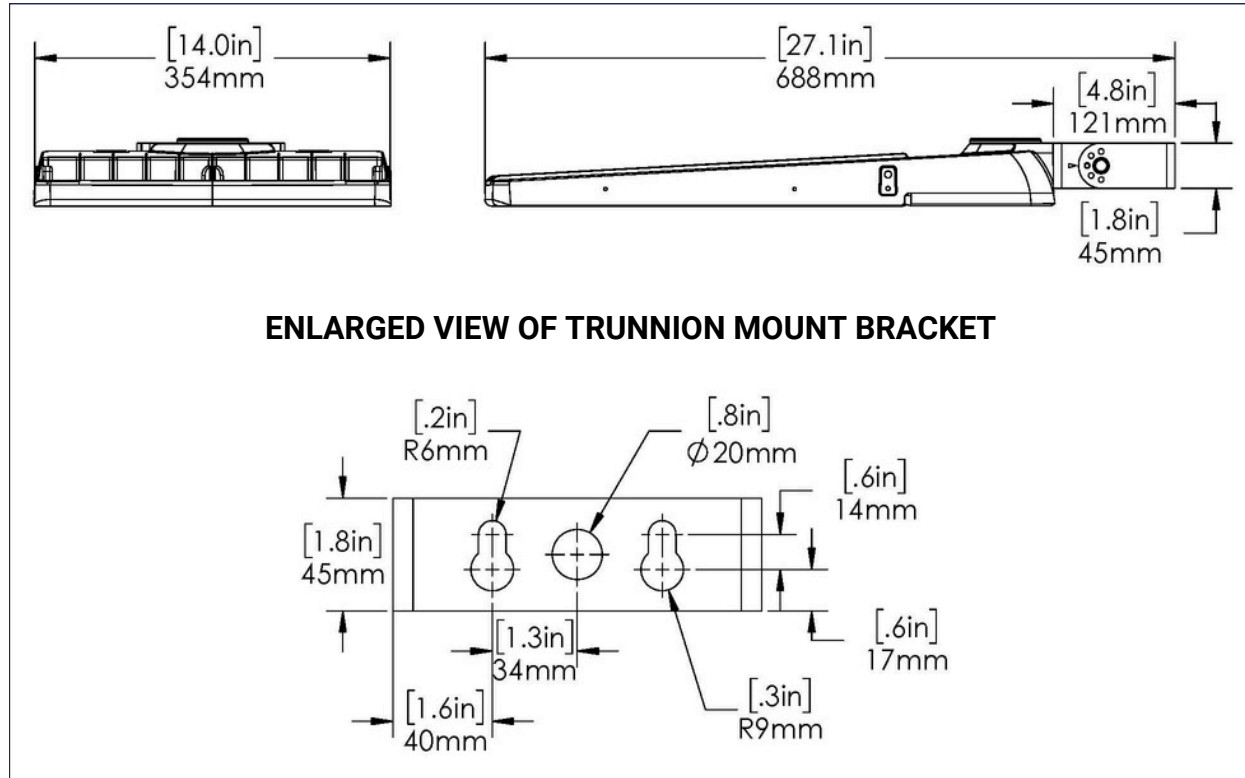
*Angle marking increment - 30°

FIXTURE WITH SLIPFITTER



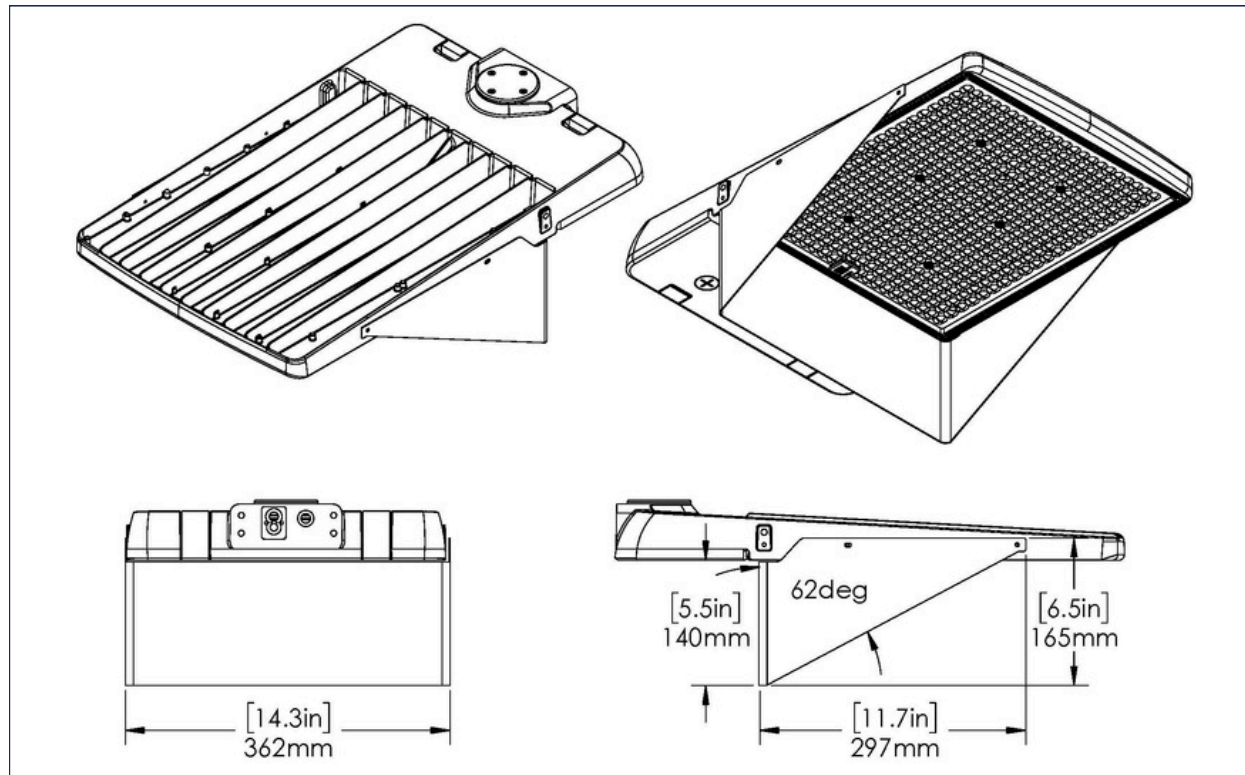
*Angle marking increment - 30°

FIXTURE WITH TRUNNION MOUNT

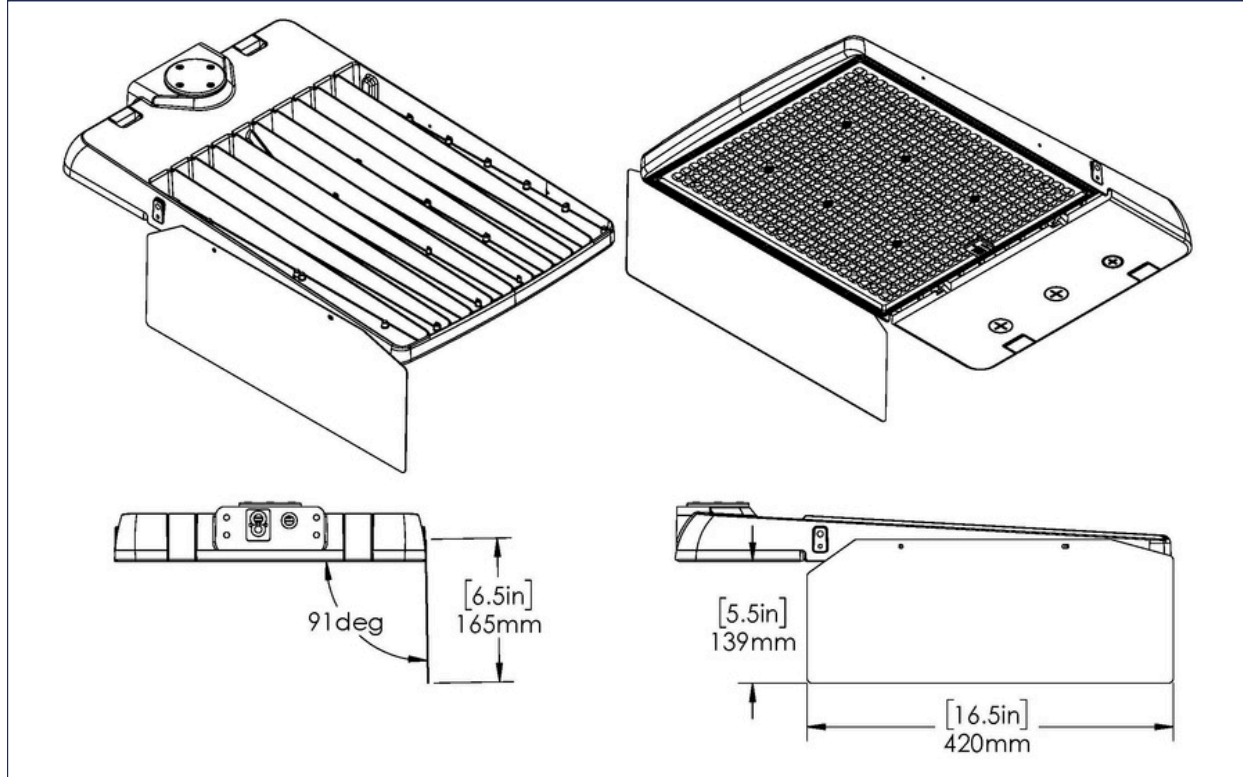


*Angle marking increment - 45°

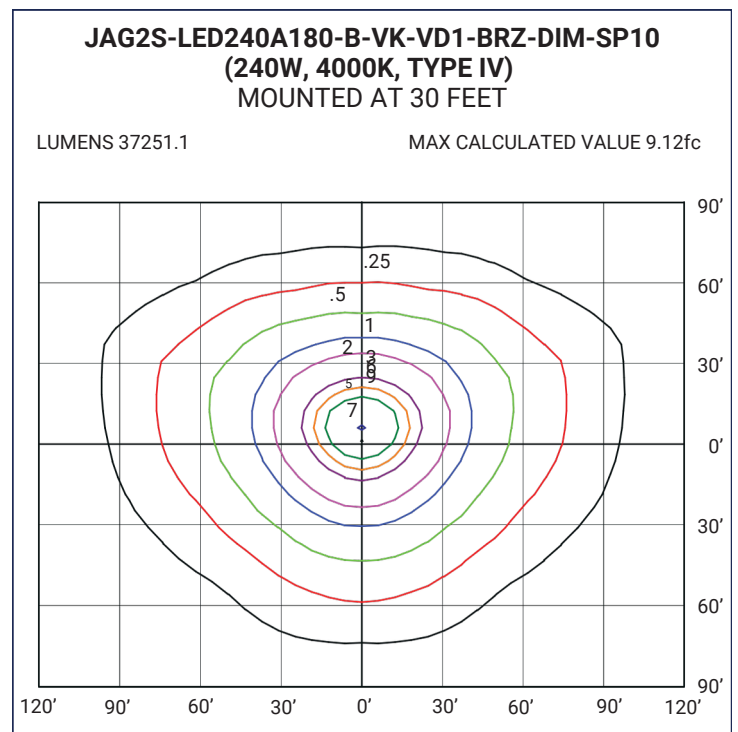
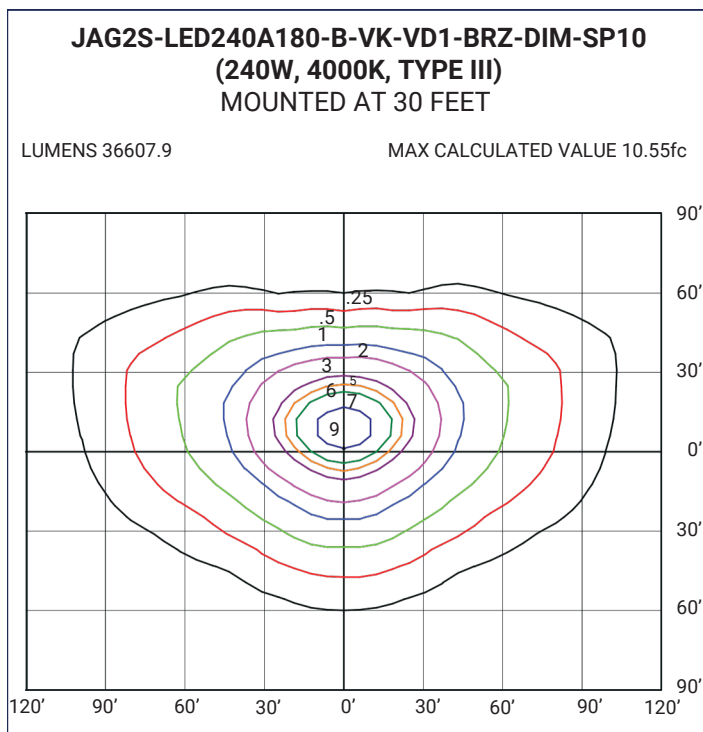
FIXTURE WITH HOUSE SIDE CUTOFF (HCO)



FIXTURE WITH SIDE CUTOFF (SCO)



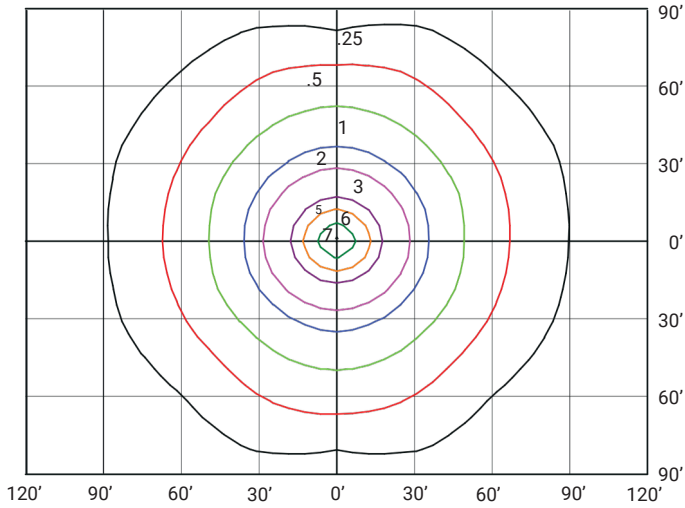
PHOTOMETRIC PLOTS



JAG2S-LED240A180-B-VK-VD1-BRZ-DIM-SP10
(240W, 4000K, TYPE V)
MOUNTED AT 30 FEET

LUMENS 35930.2

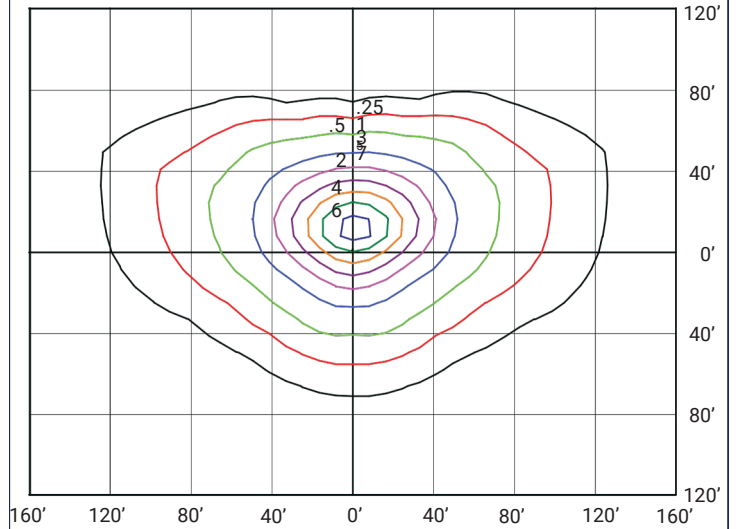
MAX CALCULATED VALUE 7.58fc



JAG2S-LED300A240-B-VK-VD1-BRZ-DIM-SP10
(300W, 4000K, TYPE III)
MOUNTED AT 40 FEET

LUMENS 45977

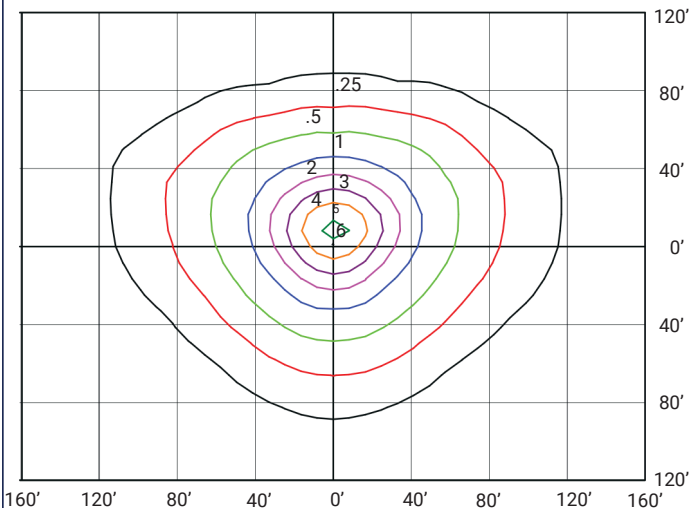
MAX CALCULATED VALUE 7.38fc



JAG2S-LED300A240-B-VK-VD1-BRZ-DIM-SP10
(300W, 4000K, TYPE IV)
MOUNTED AT 40 FEET

LUMENS 45505.8

MAX CALCULATED VALUE 6.30fc



JAG2S-LED300A240-B-VK-VD1-BRZ-DIM-SP10
(300W, 4000K, TYPE V)
MOUNTED AT 40 FEET

LUMENS 45357.6

MAX CALCULATED VALUE 5.49fc

