



# HELIXI-LED Area Light



The HELIX-LED is a highly versatile fixture designed with a full range of beam distribution options (Type II, III, IV, V), rotatable optics, glare control shields, and control options to create the perfect, most optimized lighting layout for your area. This standard fixture has all-in-one features including color selection, and lumen adjustability.

The HELIX-LED Series is one of the most progressive area lights that is dark sky friendly and listed on the DLC LUNA QPL.

## IDEAL APPLICATIONS

- Parking Lot
- Roadways
- Schools
- Dealerships
- Pathway
- Commercial Plazas

## SPECIFICATIONS

|                                      | LED100A60  | LED150A100                              |
|--------------------------------------|--|---|
| <b>PERFORMANCE</b>                   |  |   |
| <b>Light Output</b>                  | 14400/11500/8600 lm (Lumen Selectable)   | 21200/17000/14000 lm (Lumen Selectable) |
| <b>Efficacy</b>                      | 143 lm/W   |   |
| <b>CCT</b>                           | CCT Selectable - 3000K/4000K/5000K<br>Dedicated CCT - 2200K, 2700K, 3000K          |   |
| <b>Beam Distribution</b>             | Type II, Type III, Type IV, Type V   |   |
| <b>LED Lifetime (L80)</b>            | 100,000 Hours  |   |
| <b>CRI</b>                           | 83   |   |
| <b>B-U-G</b>                         | B3-U0-G3   |   |
| <b>ELECTRICAL</b>                    |  |   |
| <b>Wattage</b>                       | 100/80/60 W  | 150/120/100 W                           |
| <b>Voltage</b>                       | 120-277 V  |   |
| <b>Surge Protection</b>              | 6 kV Internal & 10 kV External per UL1449  |   |
| <b>Power Factor</b>                  | 0.998  |   |
| <b>THD</b>                           | 4.17%  | 4.54%                                   |
| <b>Dimming</b>                       | 0-10 V (0-100%)  |   |
| <b>Cable Specs</b>                   | Input Power - 1m Cabtire Cable (3x18 AWG)<br>Dimming - 1m Cabtire Cable (2x18 AWG) |   |
| <b>AMBIENT OPERATING TEMPERATURE</b> |  |   |
| <b>Fixture</b>                       | -40°C to 50°C (-40°F to +122°F)  |   |
| <b>CONSTRUCTION</b>                  |  |   |
| <b>Housing</b>                       | Die-cast Aluminum  |   |
| <b>Lens</b>                          | Polycarbonate  |   |
| <b>Paint Specs.</b>                  | Weather and Corrosion Resistant Polyester Powder Coat Finish                       |   |
| <b>Housing Finish</b>                | Bronze, Custom Colors  |   |

|   | LED100A60         | LED150A100        |                    |             |
|---|-------------------|-------------------|--------------------|-------------|
| <b>CERTIFICATIONS</b>   |                   |                   |                    |             |
| cULus certified as per UL1598 & CSA C22.2 NO. 250.0:21, IP65, Wet Location, DLC Premium, DLC LUNA   |                   |                   |                    |             |
| <b>FACTORY INSTALLED CONTROLS</b>   |                   |                   |                    |             |
| DHFS Motion Sensor, PCLS Control, Twist Lock Photocell, 7 PIN Receptacle with Shorting Cap ANSI C136. 41-2013 compliant, 3 PIN Receptacle with Shorting Cap ANSI C136.10, 20kV Surge protection(120-277V) |                   |                   |                    |             |
| <b>OPTIONS SOLD SEPERATELY</b>  |                   |                   |                    |             |
| Slip fitter, Direct mount for round/square poles, Non- Adjustable Direct Mount, Trunnion mount, Yoke mount, House Side Cutoff, Side Cutoff, DHFS Motion sensor remote control, PCLS remote control        |                   |                   |                    |             |
| <b>DEFAULT SETTINGS</b>   |                   |                   |                    |             |
| <b>CCT</b>  | 4000K             |                   |                    |             |
| <b>Wattage</b>  | 100 W             | 150 W             |                    |             |
| <b>WEIGHT (FIXTURE ONLY)</b>  |                   |                   |                    |             |
| 8.4 lbs   |                   |                   |                    |             |
| <b>MAX AMPERAGE DRAW (A)</b>  |                   |                   |                    |             |
|   | <b>120V</b>       | <b>208V</b>       | <b>240V</b>        | <b>277V</b> |
| <b>LED100A60</b>  | 0.86              | 0.67              | 0.5                | 0.49        |
| <b>LED150A100</b>   | 1.32              | 0.76              | 0.66               | 0.57        |
| <b>LUMEN MAINTENANCE</b>  |                   |                   |                    |             |
|   | <b>50,000 Hrs</b> | <b>75,000 Hrs</b> | <b>100,000 Hrs</b> |             |
| <b>HELIXI-LED</b>   | 88.9%             | 83.7%             | 78.9%              |             |

Life hours are derived from IESNA LM-80 testing report and projected per IESNA TM-21 calculations

Note: DLC LUNA certification applies to only HELIXI-LED150A100 fixtures in 2200K - 3000K CCT and mounted with a Non Adjustable Direct Mount Arm (Code - 052906).



## ORDERING GUIDE

| HELIX1  |            | B            |   |                              |                           | DIM                 |  |   |
|---------|------------|--------------|---|------------------------------|---------------------------|---------------------|--|---|
| Fixture | Wattage    | Voltage      | Color Temp.   | Beam Distribution            | Finish                    | Dimming             | Controls   | Surge Protection                          |
| HELIX1  | LED100A60  | B - 120-277V | VK- CCT Selectable <sup>a</sup><br>3000K/4000K /5000K | T2 - Type II                 | BRZ - Bronze <sup>a</sup> | Dim - 0-10V Dimming | Blank - No Controls <sup>a</sup>                         | SP10 - 10kV Surge Protection <sup>a</sup> |
|         | LED150A100 |              | 2.2K - 2200K <sup>c</sup>                             | T3 - Type III <sup>a</sup>   | CST - Custom Finish       |                     | PC - Photocontrol  |   |
|         |            |              | 2.7K -2700K <sup>c</sup>                              | T4 - Type IV                 |                           |                     | PCLS - Photocell CCT Lumen Sensor <sup>b</sup>           | SP20 - 20kV Surge Protection              |
|         |            |              | 3K - 3000K <sup>c</sup>                               | T5 - Type V                  |                           |                     | 3PIN - 3 PIN Receptacle                                  |   |
|         |            |              |   | T2R - Type II Rotated Right  |                           |                     | 7PIN - 7 PIN Receptacle                                  |   |
|         |            |              |   | T2L - Type II Rotated Left   |                           |                     | DHFS - Dimming High Frequency Motion Sensor <sup>b</sup> |   |
|         |            |              |   | T3R - Type III Rotated Right |                           |                     |  |   |
|         |            |              |   | T3L - Type III Rotated Left  |                           |                     |  |   |
|         |            |              |   | T4R - Type IV Rotated Right  |                           |                     |  |   |
|         |            |              |   | T4L - Type IV Rotated Left   |                           |                     |  |   |

<sup>a</sup> - Standard Configuration  
<sup>b</sup> - One remote control needed for sensor (PCLS-RC107 & DHFS-RC100)  
<sup>c</sup> - Units qualify for DLC LUNA when ordered in fixed 2200K or 2700K or 3000K CCT and with a non adjustable direct mount arm

| STOCK CODE    |  |
|---------------|--|
| <b>053066</b> | HELIX1-LED100A60-B-VK-T3-BRZ-DIM-SP10                    |
| <b>053067</b> | HELIX1-LED100A60-B-VK-T3-BRZ-DIM-PCLS-SP10 <sup>c</sup>  |
| <b>052863</b> | HELIX1-LED150A100-B-VK-T3-BRZ-DIM-SP10                   |
| <b>052939</b> | HELIX1-LED150A100-B-VK-T3-BRZ-DIM-PCLS-SP10 <sup>c</sup> |

| ACCESSORIES SOLD SEPARATELY |                                      |   |               |  |   |
|-----------------------------|--------------------------------------|---|---------------|--|---|
| <b>052861</b>               | YOKE MOUNT BRZ F/HELIX1 SELECT       |  | <b>052866</b> | HELIX1 SELECT SIDE CUTOFF SHIELD BRZ       |  |
| <b>052002</b>               | DIRECT MOUNT BRZ F/HELIX1/2          |  | <b>052865</b> | HELIX1 SELECT HOUSE SIDE CUTOFF SHIELD BRZ |  |
| <b>052003</b>               | DIRECT TRUNNION MOUNT BRZ F/HELIX1/2 |  | <b>052267</b> | RC-100 MOTION SENSOR REMOTE CONTROL        |  |
| <b>052004</b>               | SLIP FITTER BRZ F/HELIX1/2           |  | <b>052929</b> | RC-107 PHOTOCONTROL REMOTE CONTROL         |  |
| <b>052906</b>               | NON ADJ DIRECT MOUNT BRZ F/HELIX1/2  |  |               |  |   |

**EPA (ft<sup>2</sup>)**

|                          | Tilt 0° | Tilt 45° | Tilt 90° |
|--------------------------|---------|----------|----------|
| <b>HELIX1</b>            | 0.25    | 1.16     | 1.52     |
| <b>HELIX1 (with HCO)</b> | 0.63    | 1.32     | 1.52     |
| <b>HELIX1 (with SCO)</b> | 0.70    | 1.16     | 1.52     |

\*EPA calculation includes both fixture and mounting

**PHOTOCELL/CCT/LUMEN SENSOR (PCLS)**

PCLS Controller allows the Installer to adjust color temperature, brightness, and photocontrol settings using a remote control after installation.



**PHOTOCELL/CCT/LUMEN SENSOR (PCLS)**

|                              |   |
|------------------------------|---|
| <b>Input Power</b>           | LED Input: Max. 250VDC 3A;<br>Sensor Input: 10-14VDC, >30mA |
| <b>Input Current</b>         | Max. 25mA   |
| <b>Control Output</b>        | 0-10V Output Signals  |
| <b>Operate Level</b>         | 10-20LUX ON, 30-80LUX OFF                                   |
| <b>Ambient Temperature</b>   | 99% RH  |
| <b>Operating Temperature</b> | -40°C to +70°C (-40°F to +158°F)                            |

**RC107 REMOTE SEPCIFICATIONS (For PCLS Controller)**

| DEFAULT FACTORY SETTING |                  | FEATURES  |
|-------------------------|------------------|---|
| <b>Task Light Level</b> | 100%             | <p>ON: Turn on the fixture, brightness is set according to task level.</p> <p>OFF: Turn off the fixture, the fixture is permanently off.</p> <p>RESET: Task Light Level:100%; Hold Time: Disable; Photocell: Low; CCT:CCT Low (WW - 3000K)</p> <p>REPEAT: Send the same setting to different fixtures installed.</p>  |
| <b>Hold Time</b>        | Disable          | <p>DIM+: With each push of the button, brightness increases by 10%.</p> <p>DIM-: With each push of the button, brightness decreases by 10%;</p> <p>HOLD TIME: The "hold time" starts to count right after the fixture turns on. When the "hold time is up, the fixture adjusts to 50% brightness until the light control turns the light fixture off.</p> <p>DISABLE: When you choose disabled, the fixture maintains the task light level</p>  |
| <b>Photocell</b>        | Low              | <p>LOW: When the ambient lux is less than 30lux, the fixture turn on at the task level you set, when the ambient lux is more than 50lux, the fixture turns off.</p> <p>MIDDLE: When the ambient lux is less than 80lux, the fixture turn on at the task level you set, when the ambient lux is more than 100lux, the fixture turns off.</p> <p>HIGH: When the ambient lux is less than 150lux, the fixture turn on at the task level you set, when the ambient lux is more than 180lux, the fixture turns off;</p> <p>DISABLE: Photoelectric switch disabled:</p> |
| <b>CCT</b>              | CCT - WW (3000K) | <p>CCT : Adjust CCT(WW - Warm White/3000K, NW - Neutral White/4000K, CW - Cool White/5000K)</p>   |



Detection Range: 50 ft

Note: Custom settings can be done based on requirements in the Factory.

## DIMMING HIGH FREQUENCY MOTION SENSOR (DHFS)

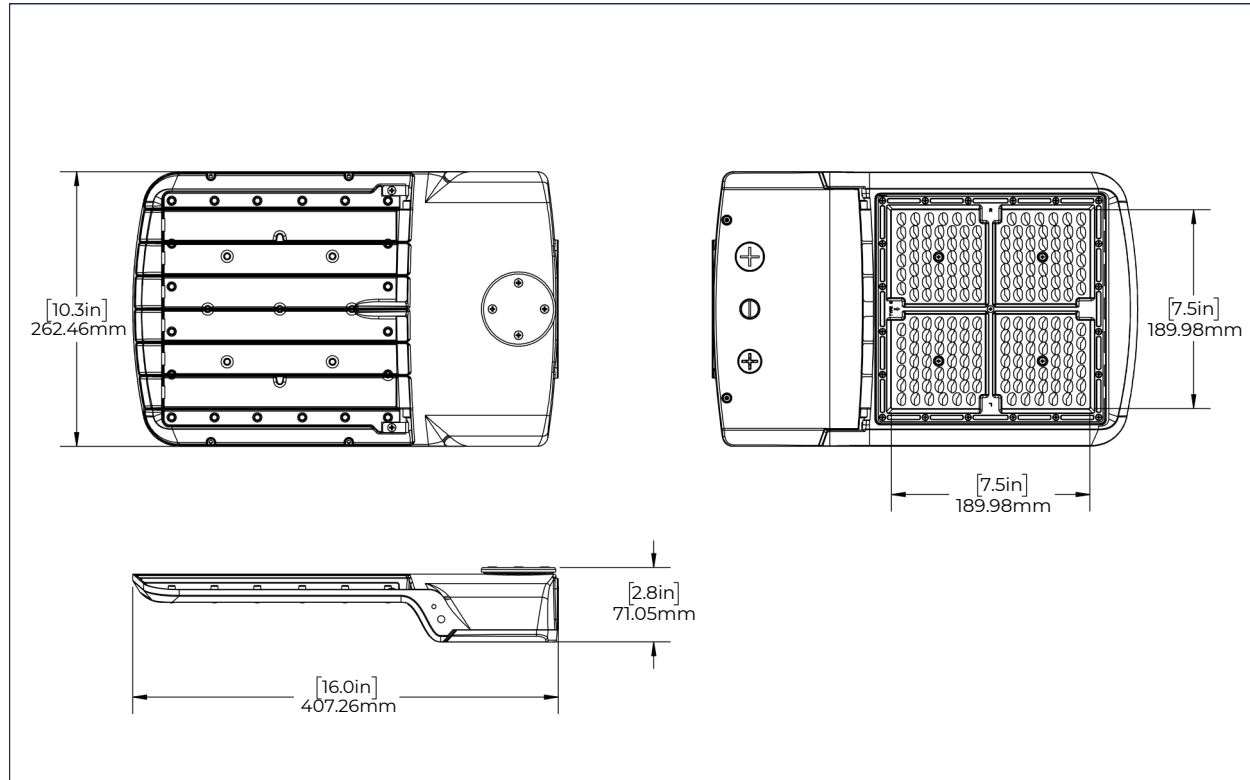
DHFS Microwave motion sensor offers a range of control features based on motion detection allowing the Installer to adjust the brightness of the fixture, hold time and daylight settings using a remote control after installation.

| DIMMING HIGH FREQUENCY MOTION SENSOR (DHFS) |                                  |
|---|----------------------------------|
| <b>Power Supply</b>                         | 12V-24V DC                       |
| <b>High Frequency System</b>                | 5.8GHz +/- 75MHz                 |
| <b>Dim Control Output</b>                   | 0-10V, Max. 25mA Sinking Current |
| <b>Detection Radius/Angle</b>               | Max. 26FT (8M)/360°              |
| <b>Mounting Height</b>                      | Max. 40FT                        |
| <b>Remote Range</b>                         | 50FT (15M) Indoor, No Backlight  |
| <b>Humidity</b>                             | Max. 95% RH                      |
| <b>Temperature</b>                          | -40°C to +70°C (-40°F to +158°F) |

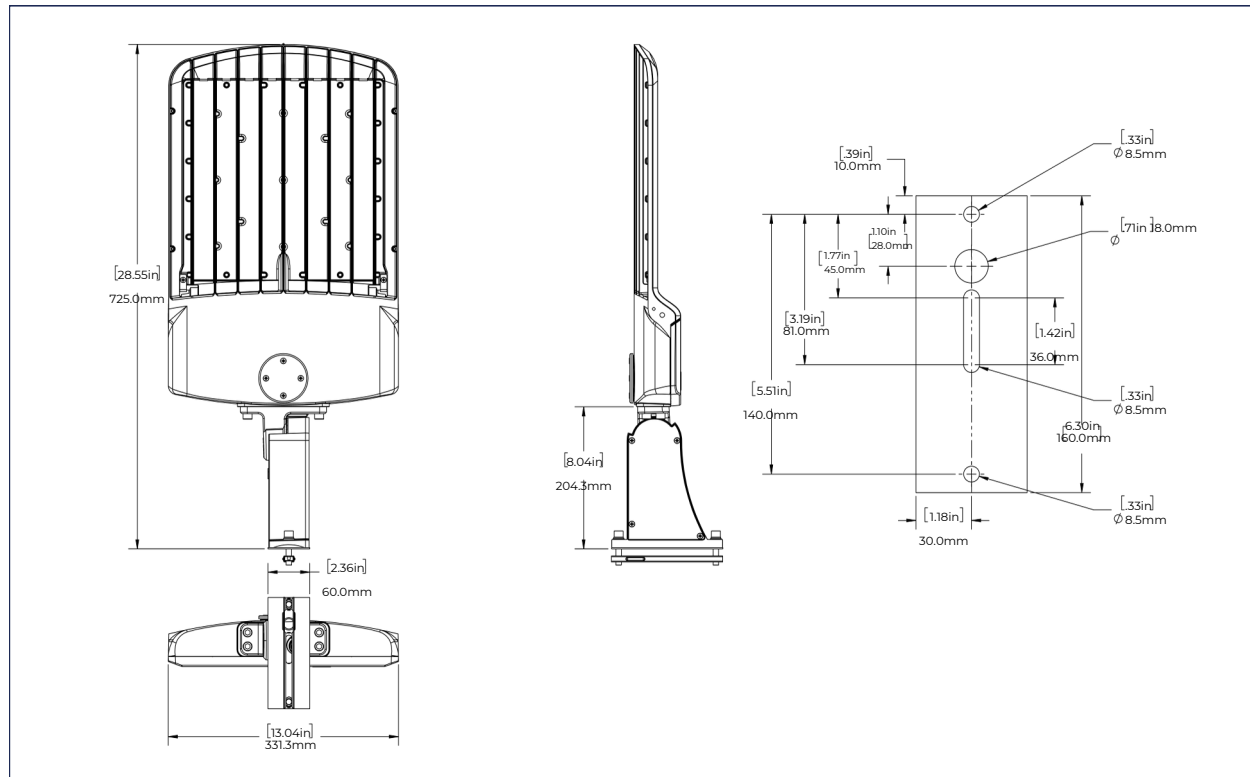


| RC100 REMOTE SEPCIFICATIONS (For DHFS Controller) |          |  | FEATURES  |
|---|----------|--|---|
| DEFAULT FACTORY SETTING                           |          |  |   |
| <b>Brightness</b>                                 | 100%     |  | BRIGHTNESS: Sets the highest light fixture brightness when motion is detected.  |
| <b>Sensitivity</b>                                | 100%     |  | SENSITIVITY: Sets the sensitivity to which the sensor will detect motion.   |
| <b>Hold Time</b>                                  | 5 Mins.  |  | HOLD TIME: The time the light fixture will remain at the brightness setting after it detects motion.  |
| <b>Daylight Sensor</b>                            | ☼        |  | DAYLIGHT SENSOR: The lux setting that the light fixture will turn on/off. If the ambient lux is more than the defined lux setting, the fixture & sensor function will turn off and remain off until the ambient lux is below the setting. To disable the lux sensor, select the SUN icon. To set the lux to match current room conditions, select the EYE icon. |
| <b>Stand-by Dim</b>                               | 30%      |  | STAND-BY DIM: The Dim level that the light fixture will dim down after the Hold Time has expired. To disable dimming and only have ON/OFF, select the 0% icon.  |
| <b>Stand-by Time</b>                              | 60 Mins. |  | STAND-BY TIME: The time the light fixture will remain in the dim down state before it shuts off. To disable the light from shutting off, select the INFINITY icon.  |

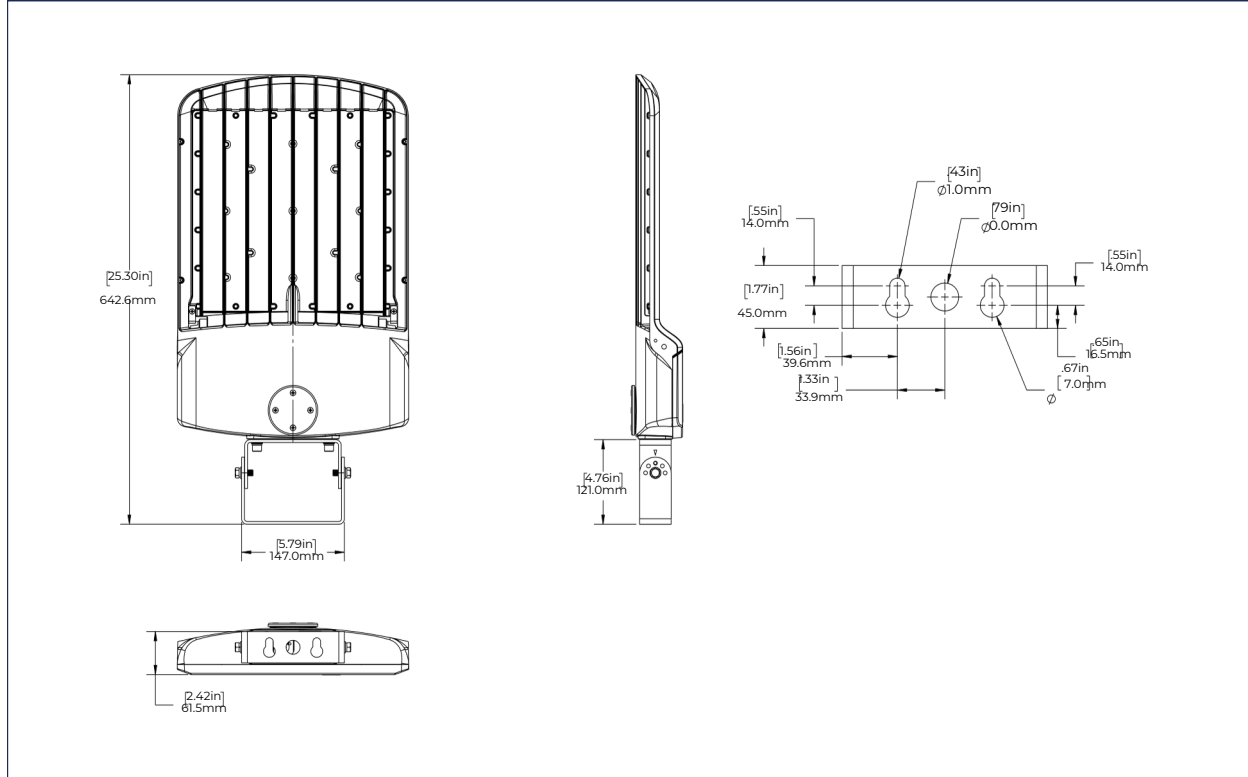
## HELIX1 (WITHOUT MOUNTING)



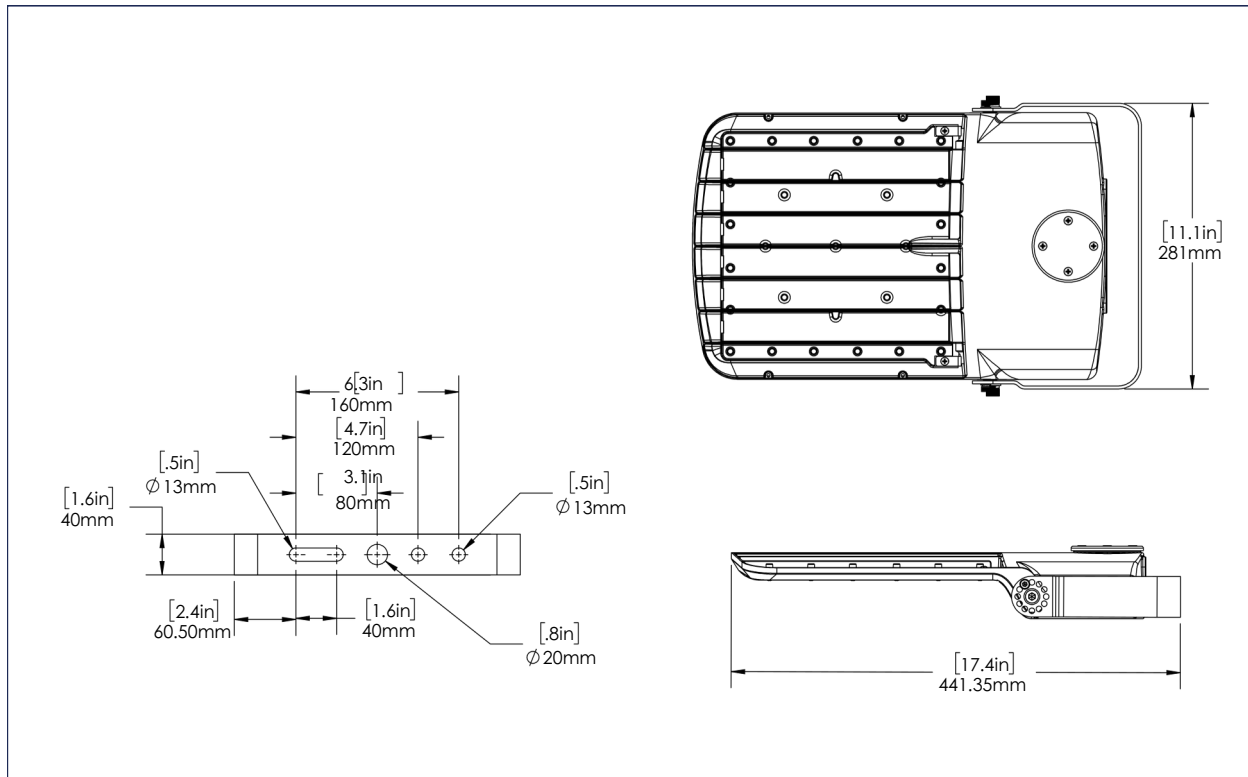
## DIRECT MOUNT



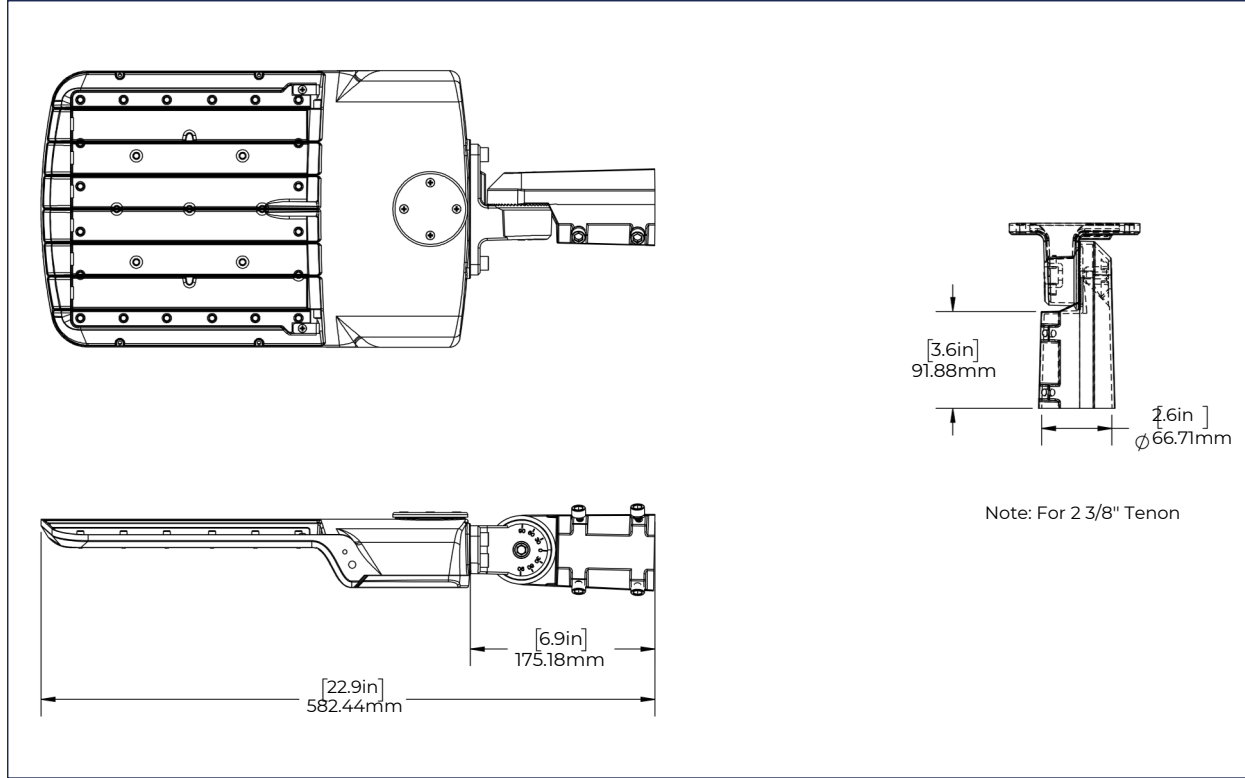
## TRUNNION



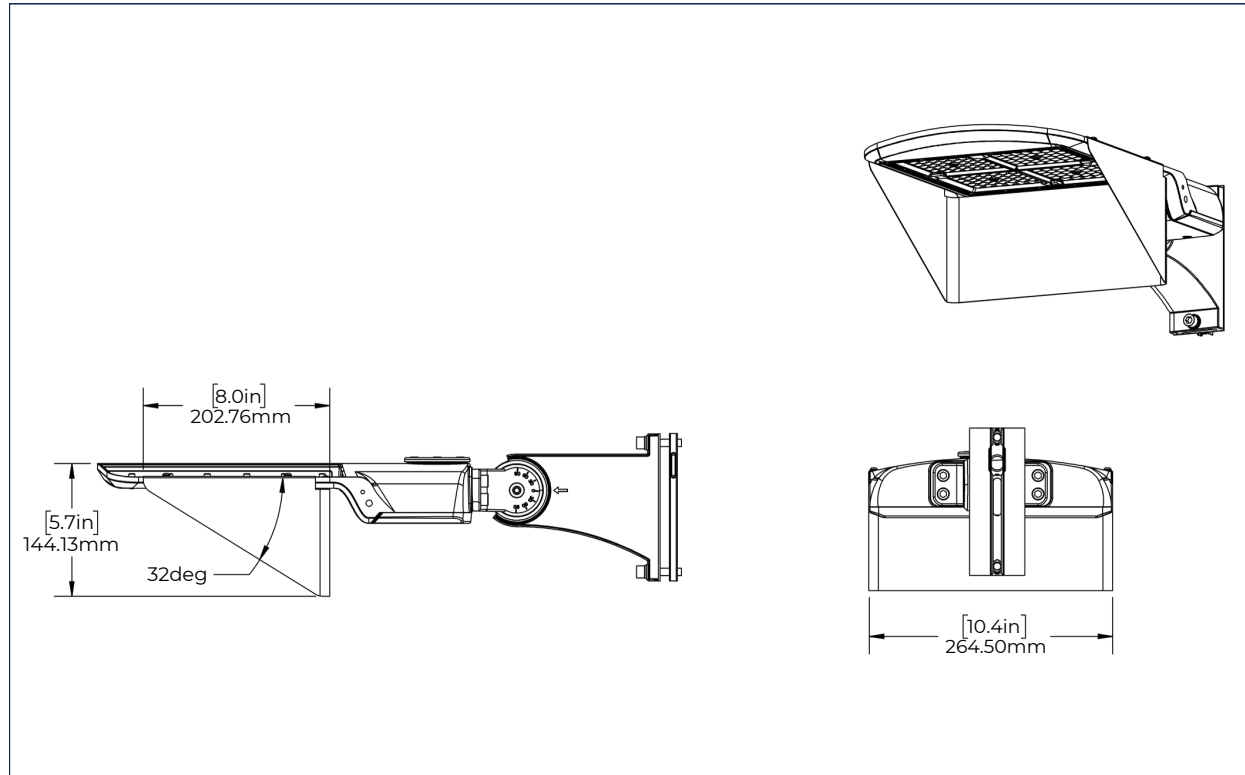
## YOKE



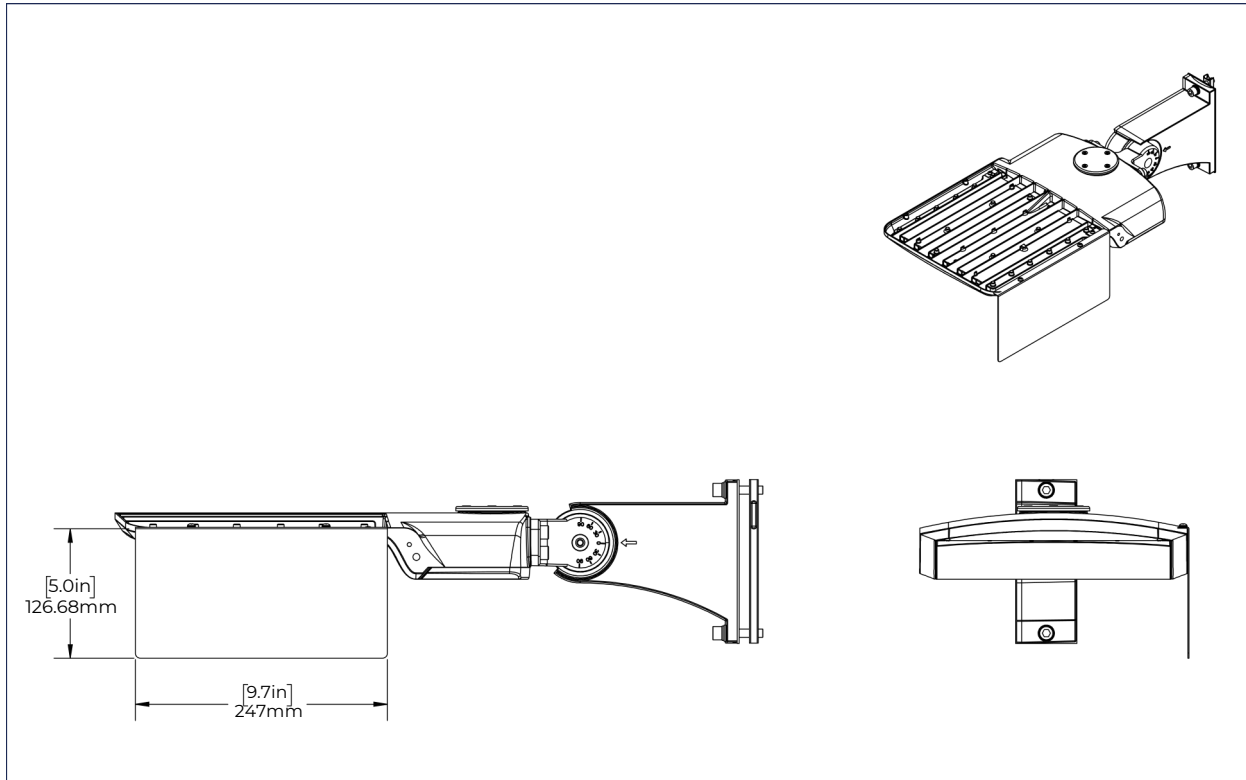
### SLIPFITTER



### HELIX1 WITH HOUSE SIDE CUTOFF (HCO)



## HELIX1 WITH SIDE CUTOFF (SCO)

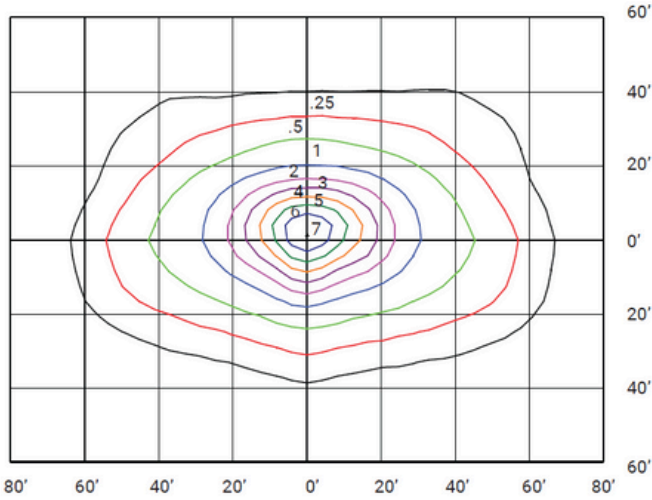




**HELIX1-LED100A60-B-VK-T2-BRZ-DIM-SP10**  
**(100W, 120V, 4000K)**  
MOUNTED AT 20 FEET

LUMENS 14516.6

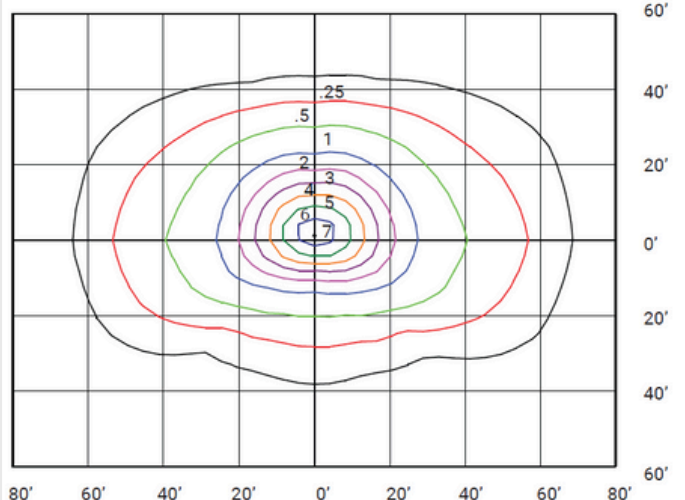
MAX CALCULATED VALUE 8 Fc



**HELIX1-LED100A60-B-VK-T3-BRZ-DIM-SP10**  
**(100W, 120V, 4000K)**  
MOUNTED AT 20 FEET

LUMENS 14380.6

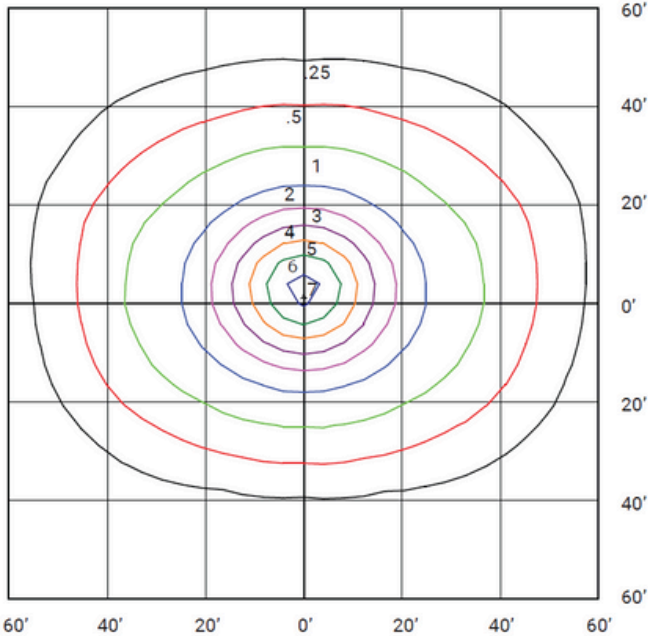
MAX CALCULATED VALUE 7.49 Fc



**HELIX1-LED100A60-B-VK-T4-BRZ-DIM-SP10**  
**(100W, 120V, 4000K)**  
MOUNTED AT 20 FEET

LUMENS 14333.5

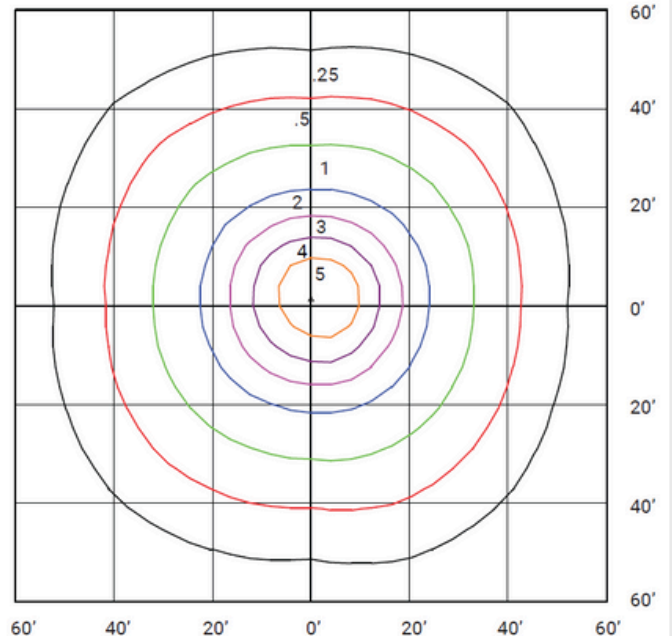
MAX CALCULATED VALUE 7.35 Fc



**HELIX1-LED100A60-B-VK-T5-BRZ-DIM-SP10**  
**(100W, 120V, 4000K)**  
MOUNTED AT 20 FEET

LUMENS 14386.5

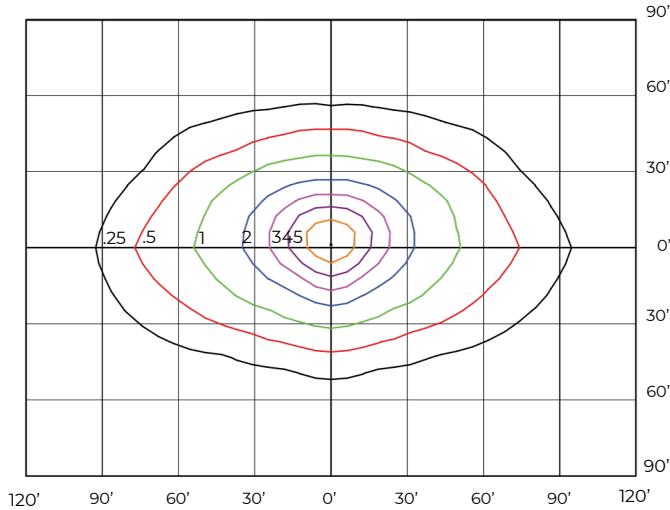
MAX CALCULATED VALUE 5.90 Fc



**HELIX1-LED150A100-B-VK-T2-BRZ-DIM-SP10**  
(150W, 120V, 4000K)  
MOUNTED AT 30 FEET

LUMENS 21200

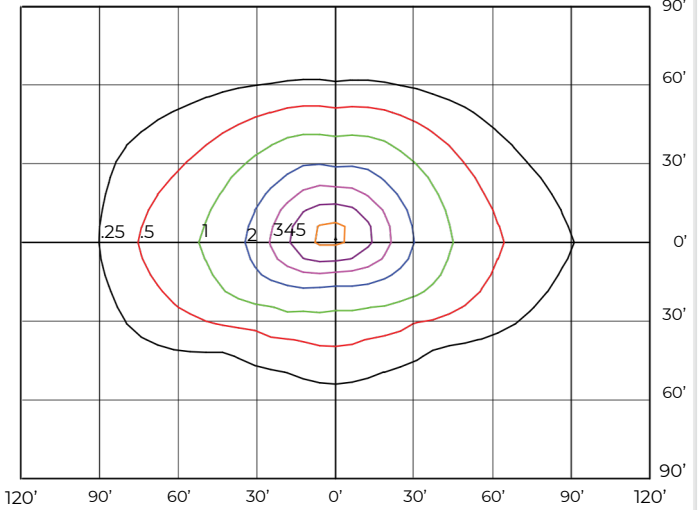
MAX CALCULATED VALUE 5.82 Fc



**HELIX1-LED150A100-B-VK-T3-BRZ-DIM-SP10**  
(150W, 120V, 4000K)  
MOUNTED AT 30 FEET

LUMENS 21200

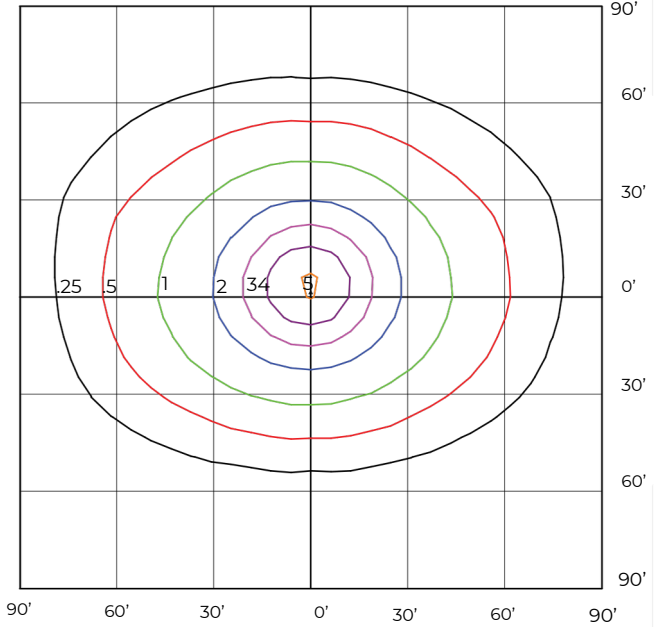
MAX CALCULATED VALUE 5.19 Fc



**HELIX1-LED150A100-B-VK-T4-BRZ-DIM-SP10**  
(150W, 120V, 4000K)  
MOUNTED AT 30 FEET

LUMENS 20800

MAX CALCULATED VALUE 5.11 Fc



**HELIX1-LED150A100-B-VK-T5-BRZ-DIM-SP10**  
(150W, 120V, 4000K)  
MOUNTED AT 30 FEET

LUMENS 21100

MAX CALCULATED VALUE 4.76 Fc

