

INSTALLATION INSTRUCTIONS**ELECTRICAL SHOCK HAZARD****READ, UNDERSTAND, and FOLLOW** these instructions
before installing the equipment.**WARNING**

Disconnect the Electrical supply power at the service panel (fuse or circuit breaker box). Failure to do so could result in serious injury or death. Only qualified electricians should install this fixture and the installation **MUST** conform to the Electrical Code and all local codes and ordinances. Ensure that only proper tools, materials, and equipment are used to complete the installation.

SAFETY

- Proper grounding is required to ensure personal safety.
- Fixture should be mounted in locations where unauthorized personnel will not readily subject it to tampering.
- Do not use this equipment for anything other than its intended purpose.
- Servicing this equipment should be performed by qualified service personnel.
- Save these instructions.
- This equipment has been tested and found to comply with the limits for a Class B digital device, pursuant to part 15 of the FCC Rules. These limits are designed to provide reasonable protection against harmful interference in a residential installation. This equipment generates, uses, and can radiate radio frequency energy and, if not installed and used in accordance with the instructions, may cause harmful interference to radio communications.
- Changes or modifications to this unit not expressly approved by the party responsible for compliance Could void the user's authority to operate the equipment.
- **MIN 75 °C SUPPLY CONDUCTOR**

Specifications

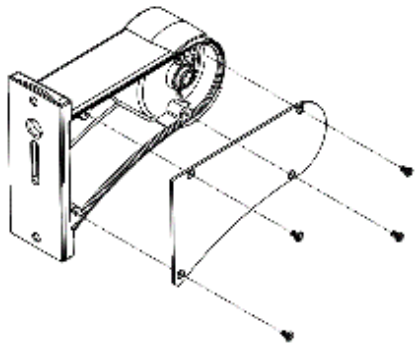
- Supply Voltage: 120-347V
- 50/60 Hz

Tools Required

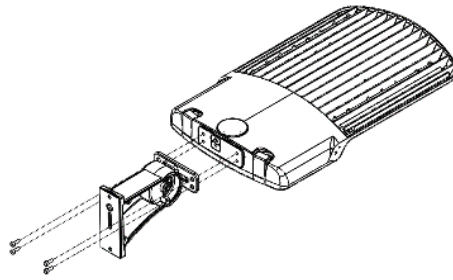
- Philips head screwdriver
- Allen keys of various sizes
- Drill tool (optional)

INSTALLATION (Note: Mounting brackets sold separately from light fixture)**DIRECT MOUNT**

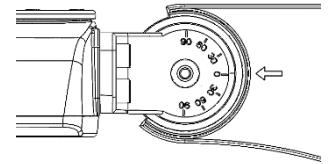
1. Remove the side cover of the bracket by taking off the screws [1]
2. Run wires through the bracket and fix the bracket to the light fixture with the mounting bolts using the Allen key.
3. Straight arm can be adapted to a square pole, round pole, and wall [2].
 - **Square pole** - Remove the first silicone plate included and fix to pole with bolts and back plate.
 - **Round pole** - Remove the first and second silicone plate included and fix to pole with bolts and back plate.
 - **Wall mount** - Fix to wall with appropriate hardware for a given wall type. Pull power wire into the mounting bracket wiring compartment.
4. Make appropriate wiring connections as per wiring diagram.
5. If required, adjust the tilt angle of the fixture by loosening the bolt on the side of the bracket, rotate the fixture head to the desired angle, and retighten the bolt to fix the head's orientation. [3]
6. Close wiring compartment with the bracket's side cover and tighten it.

INSTALLATION INSTRUCTIONS

[1]



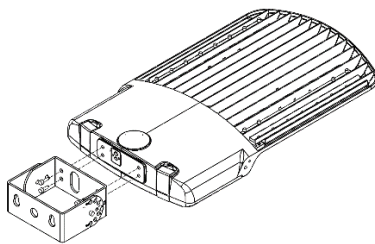
[2]



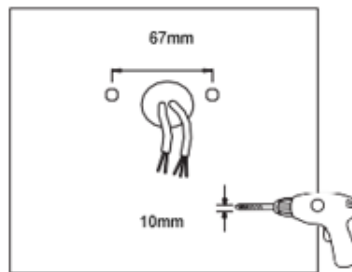
[3]

TRUNNION MOUNT

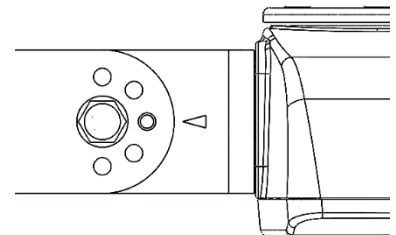
1. Run the wires through the bracket and fix bracket to the light fixture with the mounting bolts [1].
2. Drill holes 4 inches(102mm) apart in the wall as shown with an appropriate drill size.
3. Insert expansion bolts or appropriate hardware for given wall type. Fix the bracket to the wall with the appropriate screws aligned with the expansion bolts (not included in package).
4. Make appropriate wiring connections as per wiring diagram and enclose connections in a junction box.
5. If desired, adjust the angle of the fixture by removing the two smaller bolts and their nuts on each side of the bracket, rotate the fixture head to the desired angle, and retighten the bolts with their nuts to fix the head's orientation.



[1]



[2]



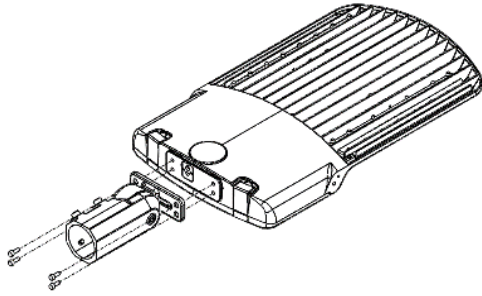
[3]

SLIP FITTER MOUNT

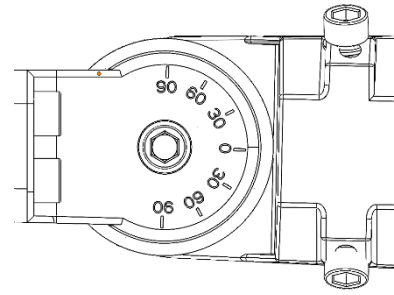
1. Run the wires through the bracket. Then fix bracket to the light fixture with the mounting screws [1].
2. Make appropriate wiring connections with leads from the pole as per wiring diagram
3. Loosen the four bolts on the mount attach on top of the pole and secure by tightening the four bolts.
4. If desired, adjust the angle of the fixture by loosening the bolt on the side of the bracket, rotate the fixture head to the desired angle, and retighten the bolt to fix the head's orientation. [2]

HELIX-LED

INSTALLATION INSTRUCTIONS



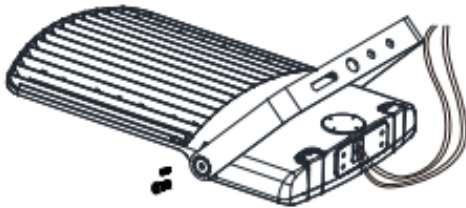
[1]



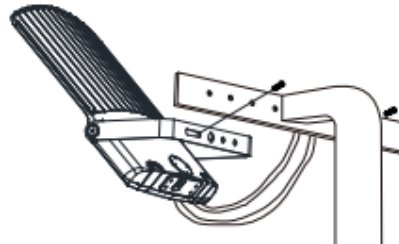
[2]

YOKE MOUNT

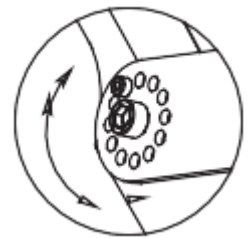
1. Secure the yoke bracket to the light fixture by tightening the two larger screws on each end of the bracket. [1]
2. Secure the bracket to a suitable location with screws. [2]
3. Make appropriate wiring connections as per wiring diagram and enclose connections in a junction box.
4. Adjust the angle of the mount by using the right hole for the small bolt (M5) and tighten the larger bolt (M8) with Allen key. [3]



[1]



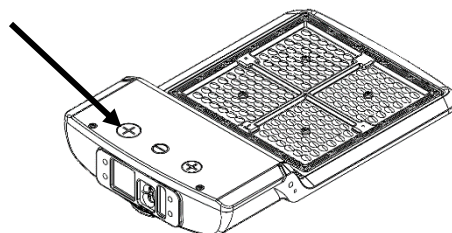
[2]



[3]

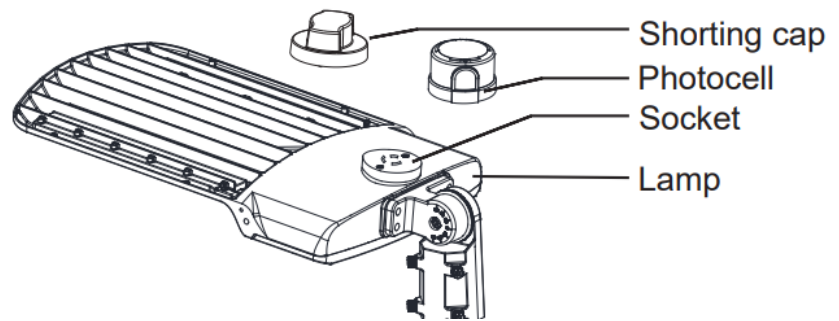
CCT & LUMEN SELECTABLE SWITCH

- CCT Select and Lumen select switch is included in luminaire and can be accessed by removing the cap as shown below.



INSTALLATION INSTRUCTIONS**INSTALLING PHOTOCONTROL OR SMARTCONTROL**

1. Remove the shorting cap
2. Place the photocontrol or smart control device in the receptacle and twist it in

**WIRING**

- Check that the line voltage is correct.
- Connect fixture **GROUND** (green) wire to power supply **GROUND** (green) wire.
- Connect fixture **WHITE** wire to power supply **NEUTRAL** wire.
- Connect fixture **BLACK** wire to power supply **LINE** wire
- The fixture includes 0-10V dimming functionality. If desired, remove the end caps from the **PINK** and **VIOLET** wires and connect them to the dimming controller.
- The fixture includes a 12V auxiliary wire. If desired, remove the end caps from the **YELLOW** wire and connect them to a device.

