



# ECPL-LED

## Indoor Ceiling Light

Frameless design along with Lumen selectable and CCT selectable features. These highly-efficient LED Panels provide uniform distribution, superior performance, and reduced glare.

### IDEAL APPLICATIONS

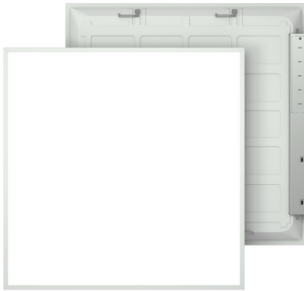
- Offices
- Schools
- Retail Spaces

### SPECIFICATIONS

|   | ECPL14                                       | ECPL22                         | ECPL24                         |
|---|--|--------------------------------|--------------------------------|
| <b>PERFORMANCE</b>  |  |                                |                                |
| <b>Light Output (Lumen Selectable)</b>                            | 2500/3125/3750/<br>4375/5000lm               | 2500/3125/3750/<br>4375/5000lm | 3750/4375/5000/<br>5625/6250lm |
| <b>Efficacy</b>   | 125lm/W                                      |                                |                                |
| <b>CCT</b>  | 3000/3500/4000/5000/6500K (CCT Selectable)   |                                |                                |
| <b>Beam Angle</b>   | 120°   |                                |                                |
| <b>LED Lifetime(L80)</b>  | >60,000 Hrs                                  |                                |                                |
| <b>CRI</b>  | 82   |                                |                                |
| <b>ELECTRICAL</b>   |  |                                |                                |
| <b>Wattage</b>  | 20/25/30/<br>35/40W                          | 20/25/30/<br>35/40W            | 30/35/40/<br>45/50W            |
| <b>Voltage</b>  | 120-277V                                     |                                |                                |
| <b>Surge Protection</b>   | 1kV (Built-in Driver) as per IEC/EN61000-4-5 |                                |                                |
| <b>Power Factor</b>   | 0.97   |                                |                                |
| <b>THD</b>  | 10%  |                                |                                |
| <b>CONSTRUCTION</b>   |  |                                |                                |
| <b>Housing</b>  | Die-formed Steel                             |                                |                                |
| <b>Lens</b>   | PMMA lenses over LEDs                        |                                |                                |
| <b>Finish</b>   | White  |                                |                                |
| <b>AMBIENT OPERATING TEMPERATURE</b>                              |  |                                |                                |
| -20°C to 40°C (-4°F to 104°F)                                     |  |                                |                                |
| <b>MOUNTING</b>   |  |                                |                                |
| Recessed in T-bar grid ceiling with integral earthquake clips     |  |                                |                                |
| Surface mount and suspension mount cable kit sold separately      |  |                                |                                |
| <b>CERTIFICATIONS</b>   |  |                                |                                |
| cULus Listed for Canada and USA, per UL 1598, CSA C22.2 No. 250.0 |  |                                |                                |
| DLC Premium, IP20   |  |                                |                                |
| <b>CONTROLS</b>   |  |                                |                                |
| 0-10V Dimming (Dim to Off)  |  |                                |                                |



**ECPL14**



**ECPL22**



**ECPL24**

#### MAX AMPERAGE DRAW (A)

|        | 120V | 208V | 240V | 277V |
|--------|------|------|------|------|
| ECPL14 | 0.35 | 0.2  | 0.17 | 0.15 |
| ECPL22 | 0.35 | 0.2  | 0.17 | 0.15 |
| ECPL24 | 0.44 | 0.26 | 0.22 | 0.19 |

#### LUMEN MAINTENANCE

| L90        | L80         | L70         |
|------------|-------------|-------------|
| 52,000 Hrs | 100,000 Hrs | 130,000 Hrs |

Life hours are derived from IESNA LM-80 testing report and projected per IESNA TM-21 calculations.

All reported values were tested at 120V and 3000K and shown for the highest lumen setting.

**Default Setting:** Highest wattage and 4000K



**ORDERING GUIDE**



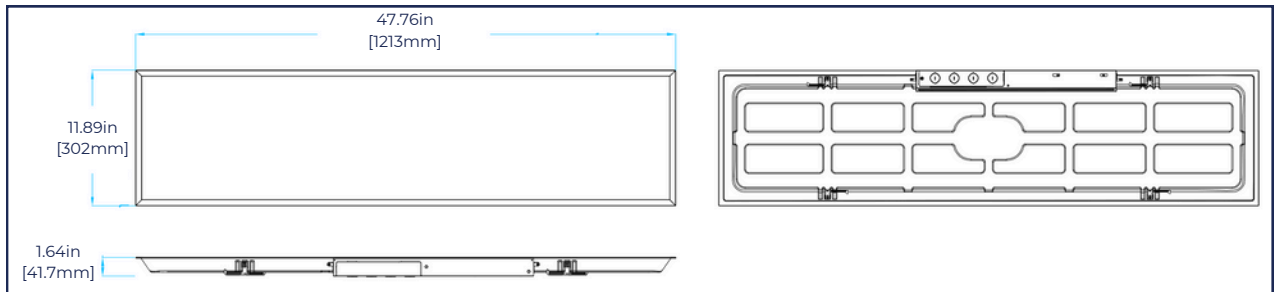
| Fixture | Wattage  | Voltage      | Colour Temp.  | Dimming                | Misc                |
|---------|----------|--------------|---|------------------------|---------------------|
| ECPL14  | LED40A20 | B - 120-277V | VK - Colour Selectable<br>(3000K/3500K/4000K/<br>5000K/6500K) | DIM - 0-10V<br>Dimming | F- Five<br>Settings |
| ECPL22  | LED40A20 |              |   |                        |                     |
| ECPL24  | LED50A30 |              |   |                        |                     |

| STOCK CODES   |                            |
|---------------|----------------------------|
| <b>053314</b> | ECPL14-LED40A20-B-VK-DIM-F |
| <b>053322</b> | ECPL22-LED40A20-B-VK-DIM-F |
| <b>053324</b> | ECPL24-LED50A30-B-VK-DIM-F |

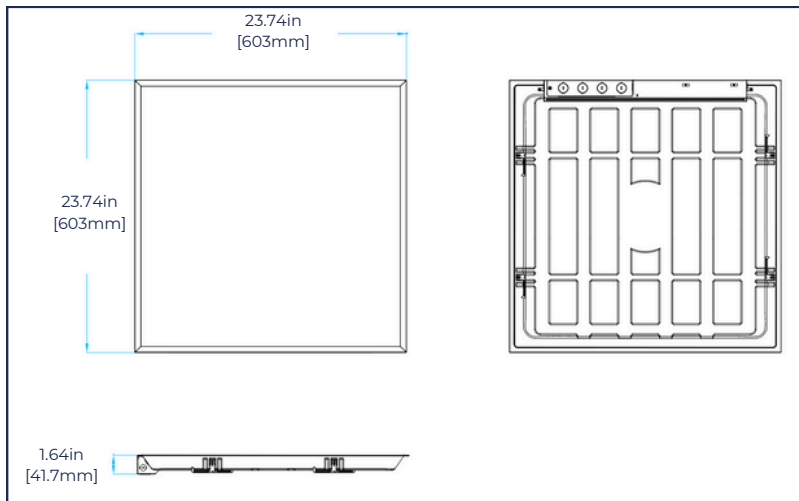
| ACCESSORIES SOLD SEPARATELY |   |
|-----------------------------|---|
| <b>053325</b>               | SURFACE MOUNT KIT F/BACKLIT CPL14 & ECPL14-3" H |
| <b>053326</b>               | SURFACE MOUNT KIT F/BACKLIT CPL22 & ECPL22-3" H |
| <b>053327</b>               | SURFACE MOUNT KIT F/BACKLIT CPL24 & ECPL24-3" H |
| <b>053328</b>               | 2 CABLE SUSPENSION MOUNT KIT F/ECPL             |
| <b>053329</b>               | WIRING COMPARTMENT-8.88" L X 2.44" W X 1.24" H  |

**DIMENSIONS**

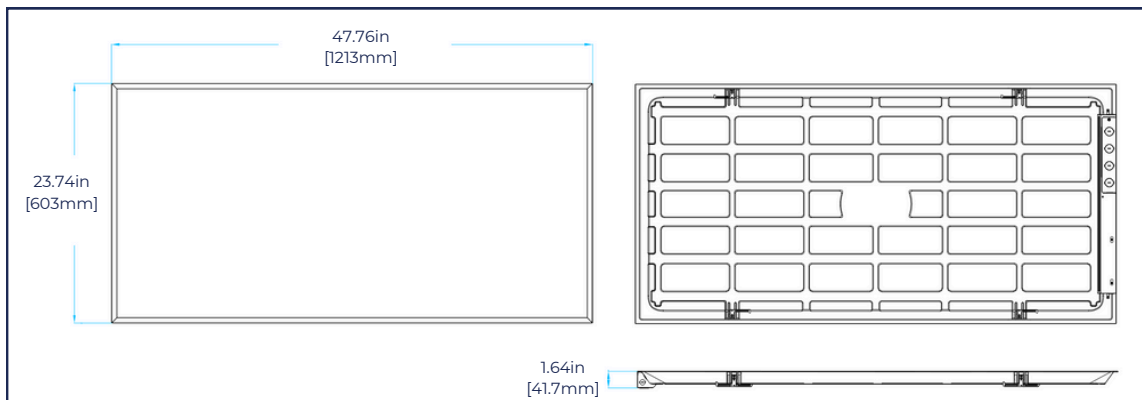
**ECPL14**



**ECPL22**

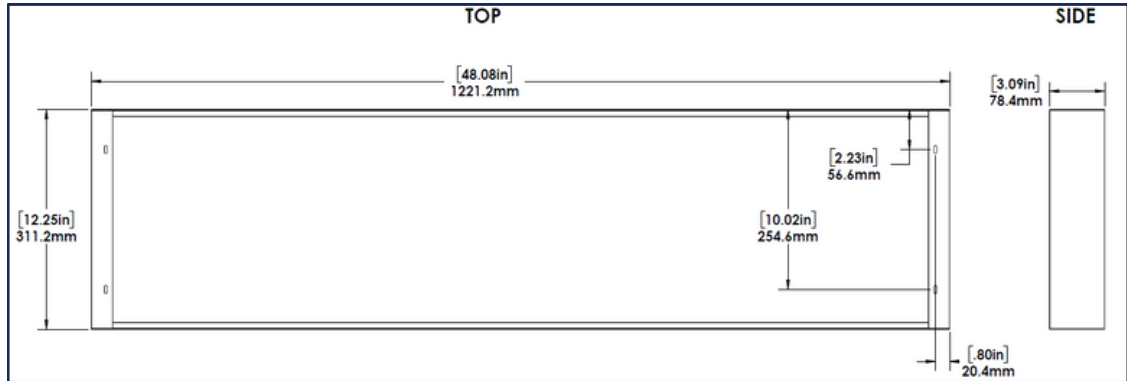


**ECPL24**

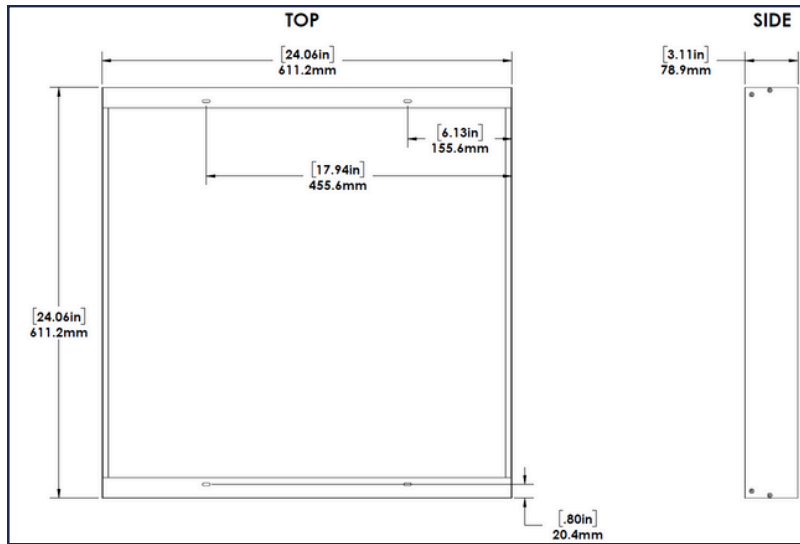


**SURFACE MOUNT KITS**

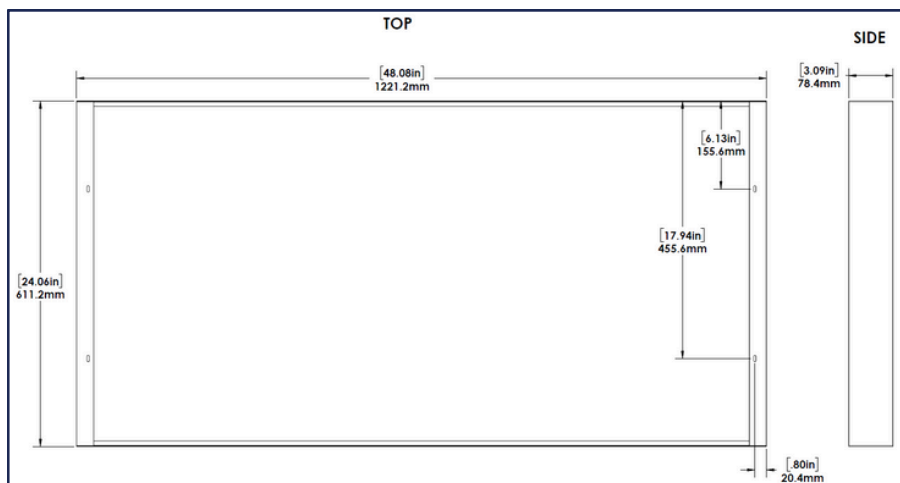
**ECPL14**



**ECPL22**



**ECPL24**



**PHOTOMETRIC PLOTS**

