



SFL1-LED500

Sports Flood and Highbay Luminaire



Slip Fit Yoke Highbay Yoke

PURCHASE MOUNT SEPARATELY



IDEAL APPLICATIONS

- ✓ Stadiums and Arenas
- ✓ Construction Sites
- ✓ Hangars
- ✓ Large Distribution Centers
- ✓ Rail, Work and Shipping Yards
- ✓ Bridges, Monuments and Facades

DESCRIPTION:

The SFL-LED fixture is a versatile, high performance sports flood light designed for recreational and collegiate outdoor fields. It can also be used as a highbay for high ceiling applications such as airplane hangers and large warehouses and distribution centers.

FEATURES:

Construction

- Ruggedly designed with die cast aluminum housing and clear polycarbonate lens.
- Intelligently designed heat sink to facilitate maximum air flow.
- Fixture is lightweight compared to most sports floods and has angle increments calibrated on the housing, standard yoke mount and slip fit mount for precise aiming.

Electrical

- Standard unit comes with 120-277V or 480V driver with 6kV internal surge suppressor and 10kV external surge suppressor.

Light Performance

- Standard unit comes with a dedicated CCT of 4000K or 5000K.
- Fixture is available in 30° (4x4), 40° (5x5), 80° (6x6) beam distributions for Sports flood applications. Available with 80° beam for highbay applications.

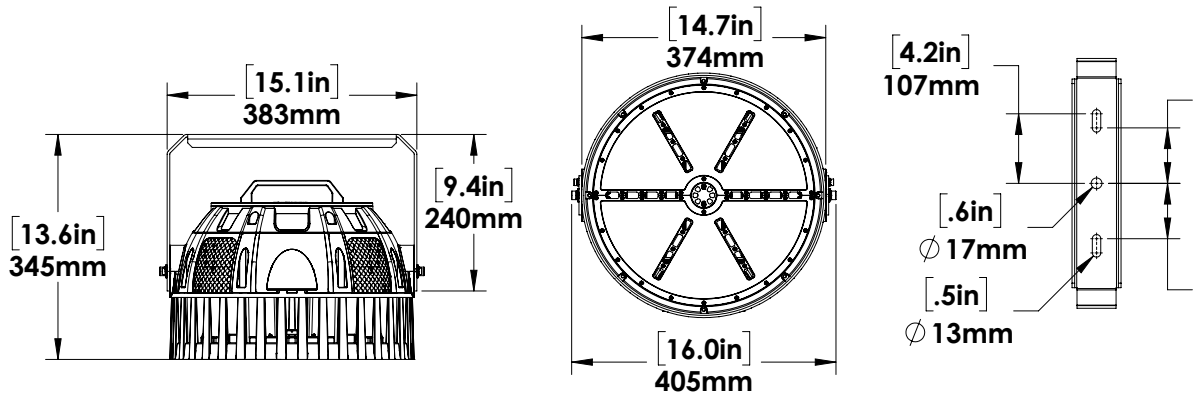
Mounting

- 3 mounting options available - Yoke, slip fit and highbay yoke. Purchase mounting option separately. Mounting option is field installed.

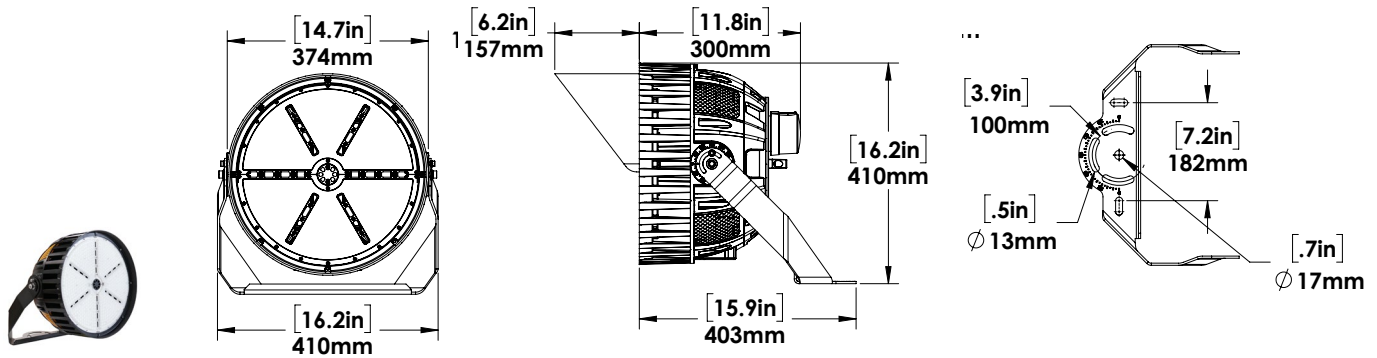
SPECIFICATIONS	SFL1-LED500
Watts	483.1W
Lumens	70887 Lm
Efficacy	146.7 Lm/W
Voltage	120-277V, 480V
Colour Temp	4000K, 5000K
Replaces	750W MH
CRI	70
Dimming	0-10V Dim to Off
Surge Protection	6 KV Internal (with driver), 10 KV External (added to every fixture) Optional 20kV Surge Suppression
THD	15%
PF	0.9
Beam Distribution	30°, 40°, 80°
LED Life (L76)	100,000 Hours
Housing Finish	Matte Black, Custom Colors (optional)
Housing Details	Die Cast Aluminum
Lens Details	Clear Polycarbonate Lens
Mounting	Yoke Mount, Slip Fit, Highbay Yoke Mount
Operating Temp.	-40°C to +45°C
Input Power/ Dimming Cord Length	10 feet (1 metre) cable
Factory Installed Options	7 PIN Receptacle with Shorting Cap ANSI C136. 41-2013 compliant, Photocell Optional 20kV Surge Protection
Options Sold Separately	Yoke Mount, Slip Fit, Highbay Yoke Mount, Visor, Laser Pointer (comes with one rechargeable battery and battery charger)
Certifications	UL, Wet Location, IP66 3G Vibration Tested & DLC



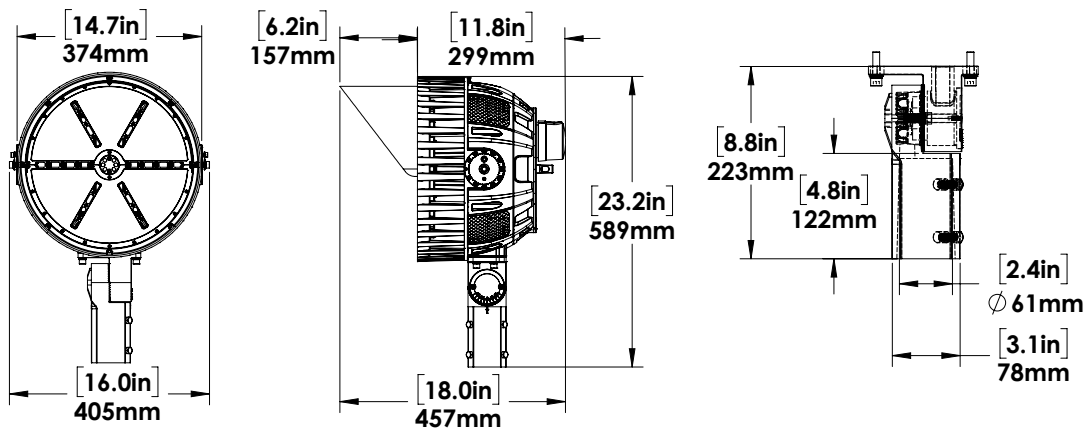
DIMENSIONS:



HIGHBAY YOKE



YOKE



SLIP FIT



VISOR
used to reduce glare

Note:
Screws included in package.



LASER POINTER
used to accurately aim the
fixture to the desired location

Range of the laser pointer: 200 meters.
It is operated by rechargeable battery.

Note:
Laser pointer package includes one DC
(rechargeable) battery and battery recharger.

AMPERAGE DRAW & SURGE PROTECTION							
	CURRENT (A)					SURGE PROTECTION	
	120V	208V	240V	277V	480V	120-277V	480V
SFL1-LED	4.38A	2.53A	2.19A	1.9A	1.1A	6KV Internal and 10KV External	

TM-21 ESTIMATED LUMEN MAINTENANCE			
	50,000 Hours*	75,000 Hours	100,000 Hours
SFL1-LED	87.5%	81.7%	76.2%

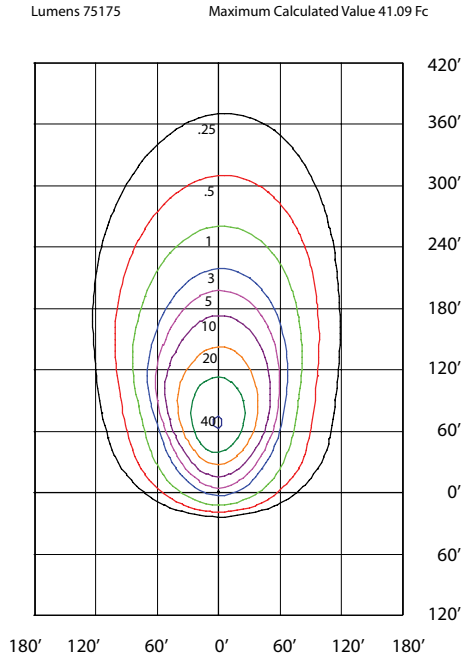
EPA (ft ²)		
	0° Tilt	90° Tilt
SFL1-LED With Yoke	1.36	1.84
SFL1-LED With Slipfit	1.42	1.95

WEIGHT (lbs)	
SFL1-LED With Yoke	32.67
SFL1-LED With Slipfit	33.33
SFL1-LED With Highbay Yoke	32.67

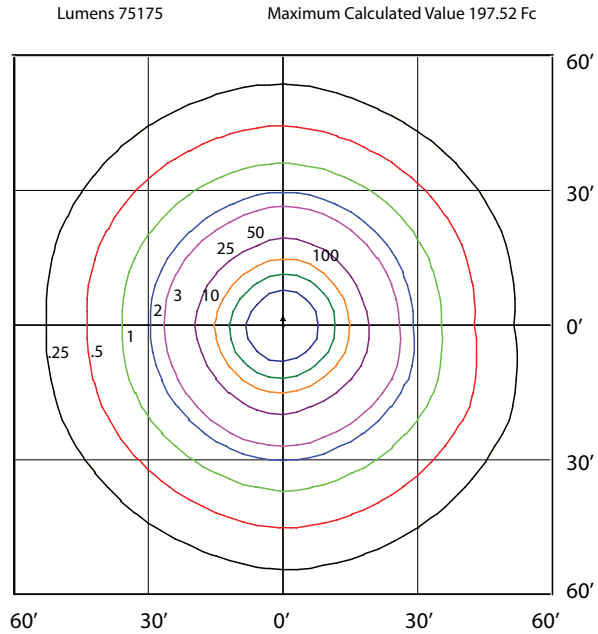
*Expect LED chips to have 87.5% lumen maintenance

SPECIFICATIONS							
Model Number	Voltage (V)	Power (W)	Light Output (lm)	Efficacy (lm/W)	THD (%)	PF	CCT (K)
SFL1-LED500-B-4K-30DEG-XXX-DIM-[Blank;7PIN;PC]-SP10	120-277	481	69842	145.3	15.0	0.900	4000
SFL1-LED500-B-5K-30DEG-XXX-DIM-[Blank;7PIN;PC]-SP10	120-277	483	70887	146.7	15.0	0.900	5000
SFL1-LED500-L-4K-30DEG-XXX-DIM-[Blank;7PIN;PC]-SP10	480	468	68130	145.7	15.0	0.900	4000
SFL1-LED500-L-5K-30DEG-XXX-DIM-[Blank;7PIN;PC]-SP10	480	468	68590	146.5	15.0	0.900	5000
SFL1-LED500-B-4K-40DEG-XXX-DIM-[Blank;7PIN;PC]-SP10	120-277	482	70806	146.8	15.0	0.900	4000
SFL1-LED500-B-5K-40DEG-XXX-DIM-[Blank;7PIN;PC]-SP10	120-277	486	71568	147.2	15.0	0.900	5000
SFL1-LED500-L-4K-40DEG-XXX-DIM-[Blank;7PIN;PC]-SP10	480	468	68385	146.3	15.0	0.900	4000
SFL1-LED500-L-5K-40DEG-XXX-DIM-[Blank;7PIN;PC]-SP10	480	469	69048	147.4	15.0	0.900	5000
SFL1-LED500-B-4K-80DEG-XXX-DIM-[Blank;7PIN;PC]-SP10	120-277	484	70409	145.5	15.0	0.900	4000
SFL1-LED500-B-5K-80DEG-XXX-DIM-[Blank;7PIN;PC]-SP10	120-277	480	70819	147.6	15.0	0.900	5000
SFL1-LED500-L-4K-80DEG-XXX-DIM-[Blank;7PIN;PC]-SP10	480	468	68779	146.9	15.0	0.900	4000
SFL1-LED500-L-5K-80DEG-XXX-DIM-[Blank;7PIN;PC]-SP10	480	468	69374	148.3	15.0	0.900	5000

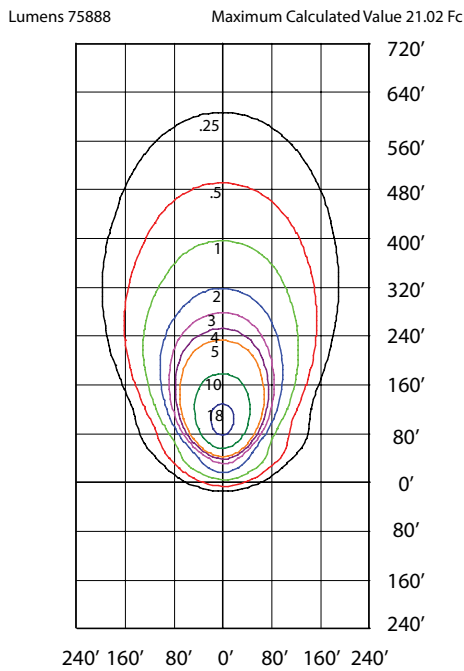
SFL1-LED500-B-4K-30DEG-BLK-DIM
MOUNTED AT 30 FEET 60 DEGREE TILT



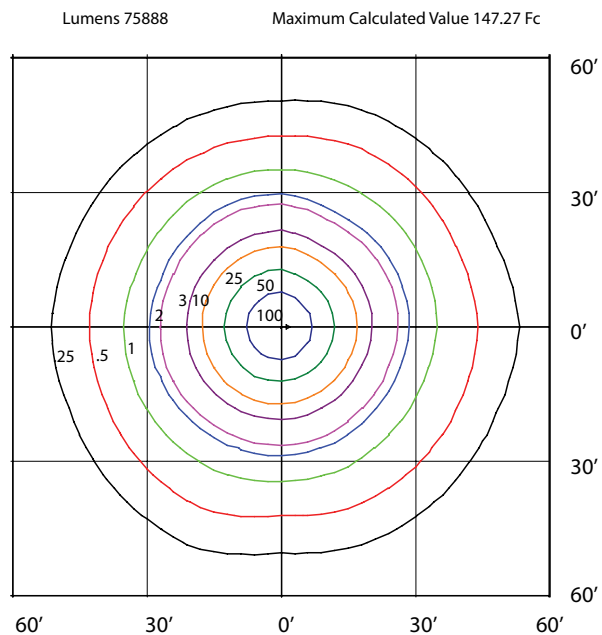
SFL1-LED500-B-4K-30DEG-BLK-DIM
MOUNTED AT 30 FEET



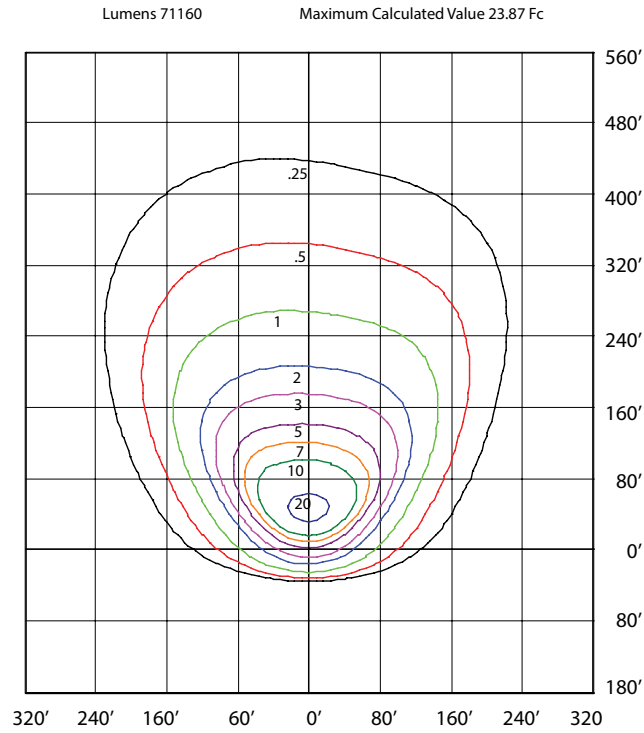
SFL1-LED500-B-4K-40DEG-BLK-DIM
MOUNTED AT 30 FEET 70 DEGREE TILT



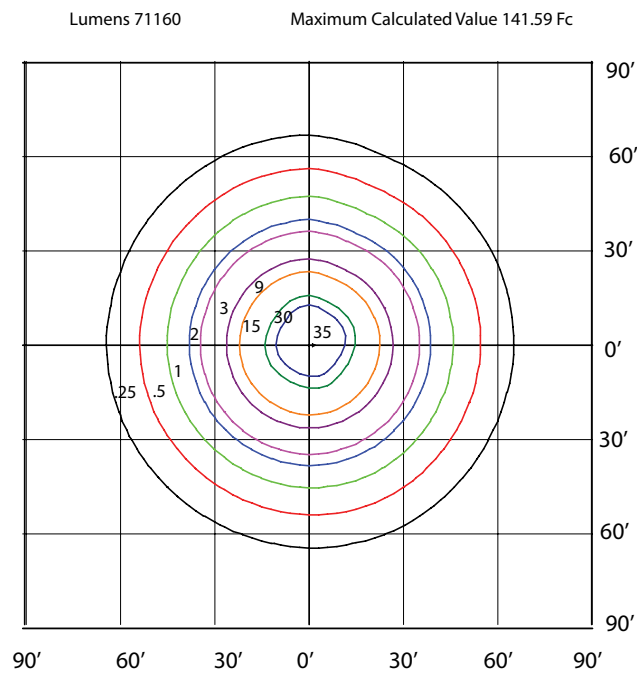
SFL1-LED500-B-4K-40DEG-BLK-DIM
MOUNTED AT 30 FEET



SFL1-LED500-B-4K-80DEG-BLK-DIM
MOUNTED AT 30 FEET 60 DEGREE TILT



SFL1-LED500-B-4K-80DEG-BLK-DIM
MOUNTED AT 30 FEET



ORDERING GUIDE:

SFL1		LED500				DIM		SP10	
Fixture	Wattage	Voltage	Color Temp.	Optics	Finish	Dimming	Options	Surge Protection	
	LED500	B -120-277V*	4K - 4000K	30DEG - 30 Degrees	BLK - Matte Black*	DIM - 0-10V Dimming	BLANK	SP10 - 10kV Surge Protection*	
		L - 480V	5K - 5000K*	40DEG - 40 Degrees	CC - Custom Colors		7PIN - 7 PIN Receptacle for Smart Controls	SP20 - 20kV Surge Protection***	
				80DEG - 80 Degrees			PC - Photocell		
				(Recommended option for highbay applications is 80DEG)					

* Standard Configuration

**Note: When ordering photocell, fill "B" in the voltage field if input voltage is 120-277V or "L" when input voltage is 480V.

*** Note : When ordering SP20 fill in "B" in the voltage field. SP20 is only available for 120-277V.

STOCK CODE	DESCRIPTION
052549	SFL1-LED500-B-4K-30DEG-BLK-DIM
052550	SFL1-LED500-B-5K-30DEG-BLK-DIM
052551	SFL1-LED500-B-4K-40DEG-BLK-DIM
052552	SFL1-LED500-B-5K-40DEG-BLK-DIM
052553	SFL1-LED500-B-4K-80DEG-BLK-DIM
052554	SFL1-LED500-B-5K-80DEG-BLK-DIM

ORDERING GUIDE FOR ACCESSORIES

Options Sold Separately

Check the items that you wish to order:

- 052599 - SFL1-SLIP FIT BLK
- 052601 - SFL1-SPORT FLOOD LIGHT YOKE BLK
- 052600 - SFL1- HIGHBAY YOKE BLK
- 052602 - SFL1-VISOR BLK
- 052598 - SFL1/SFL2-LASER POINTER