

MS180DIM



INSTALLATION INSTRUCTIONS



ELECTRICAL SHOCK HAZARD

READ, UNDERSTAND, and FOLLOW these instructions before installing the equipment.

WARNING

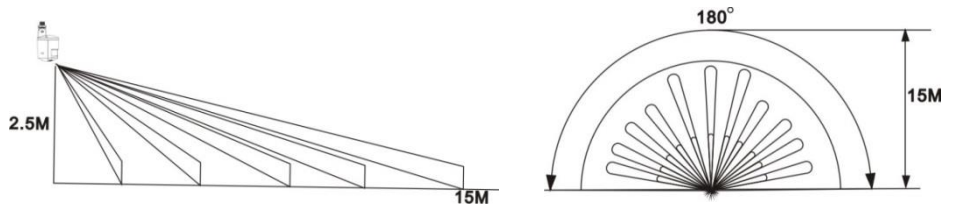
Disconnect the Electrical supply power at the service panel (fuse or circuit breaker box). Failure to do so could result in serious injury or death. Only qualified electricians should install this fixture and the installation MUST conform to the Electrical Code and all local codes and ordinances. Ensure that only proper tools, materials, and equipment are used to complete the installation.

SAFETY

- Proper grounding is required to ensure personal safety.
- Fixture should be mounted in locations where unauthorized personnel will not readily subject it to tampering.
- Do not use this equipment for anything other than its intended purpose.
- Servicing this equipment should be performed by qualified service personnel.
- Save these instructions for future reference.

PRODUCT INFO

- **Detection Method:** Passive Infrared Sensor
- **Sensor Range:** 15m x 180 degrees
- **Time Adjustment:** 5 sec to 30 min (approx.)
- **Dimmer Adjustment:** 10 % to 100 %
- **Power Source:** 120/277 V AC - 60 Hz
- **Load Rating:** Max. 400 W



INSTALLATION

1. Mount the sensor to the fixture by threading it into a conduit fitting at the junction box of the fixture.
2. Wire the unit according to Figure 1.
3. Check that all connections are correct and tight, as any misconnection will damage the sensor.

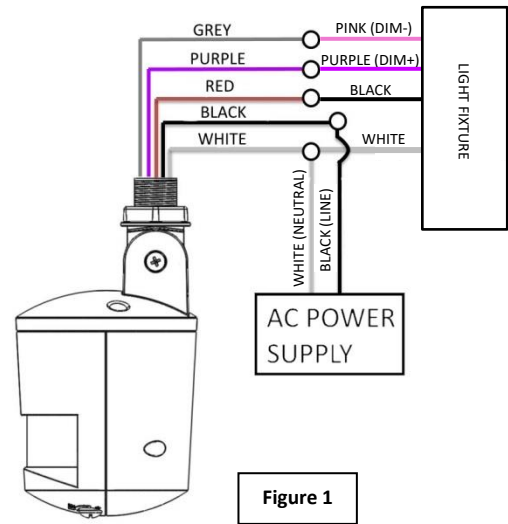
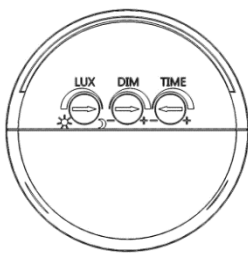


Figure 1

PIR ADJUSTMENT



TIME DIAL

This dial controls how long the light will remain on once activated. It will operate approximately from 5 Seconds to 30 minutes. Turning the dial fully clockwise will set the unit to its longest time setting and fully anti-clockwise will set it at its shortest setting.

DAYLIGHT ADJUSTMENT DIAL

This dial sets the floodlight to be activated at different light levels. Turning the dial anti-clockwise towards the "sun" symbol means the light will activate in the daytime and the nighttime. Turning fully clockwise towards the "moon" symbol means the light will only activate when it is very dark. For normal dusk (night) operation set the dial about three-quarters of a turn towards the "moon" symbol.

DIMMER ADJUSTMENT

Adjust the luminance 10%~100%. At night, the light will turn on 10% of the full brightness, when the PIR detects movement, the light will 100% turn on.