

INSTALLATION INSTRUCTIONS



ELECTRICAL SHOCK HAZARD

READ, UNDERSTAND, and FOLLOW these instructions before installing the equipment.

WARNING

Disconnect the Electrical supply power at the service panel (fuse or circuit breaker box). Failure to do so could result in serious injury or death. Only qualified electricians should install this fixture and the installation MUST conform to the Canadian Electrical Code Part I and all local codes and ordinances. Ensure that only proper tools, materials, and equipment are used to complete the installation.

SAFETY

- Proper grounding is required to ensure personal safety.
- Fixture should be mounted in locations where unauthorized personnel will not readily subject it to tampering.
- Do not use this equipment for anything other than its intended purpose.
- Servicing this equipment should be performed by qualified service personnel.
- Save these instructions.
- **MIN 90 °C SUPPLY CONDUCTOR**

TOOLS

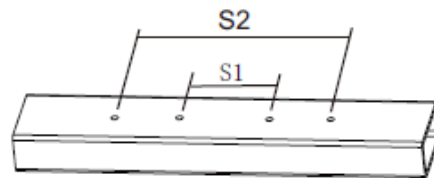
- Allen key set, open-end wrench, Phillip screwdriver, Drilling tool (optional)

INSTALLATION

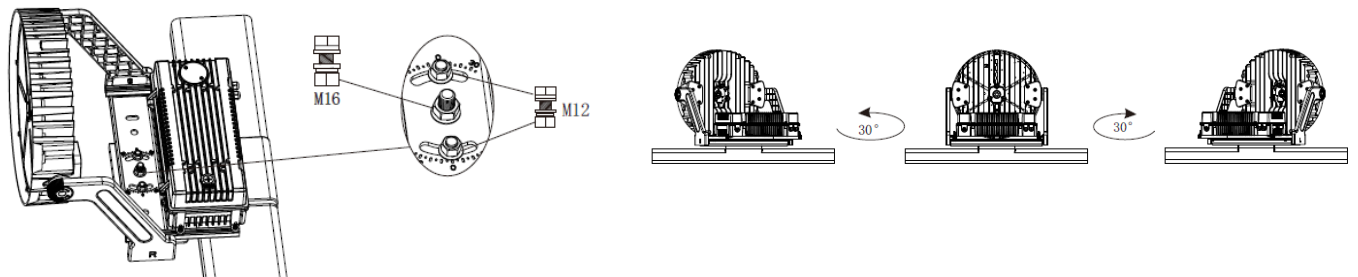
YOKE MOUNT:

Note: Fixture comes with yoke bracket installed.

1. Drill the holes if required on the mounting surface and install the fixture. Note: 15mm hole for M12 bolts
S1: 254mm/10in, S2: 345mm/13.58in

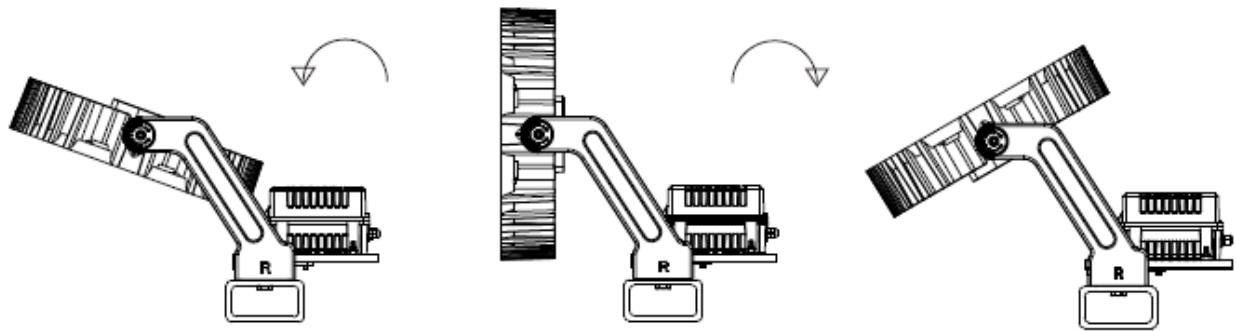


2. The orientation can be adjusted by loosening the M12 bolts (0-30° both direction).



INSTALLATION INSTRUCTIONS

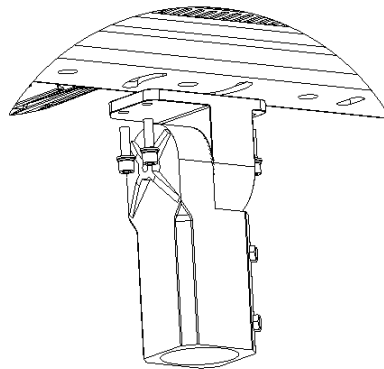
- Once secured, loosen the adjustment bolt to adjust the fixture tilt angle (0-180°).



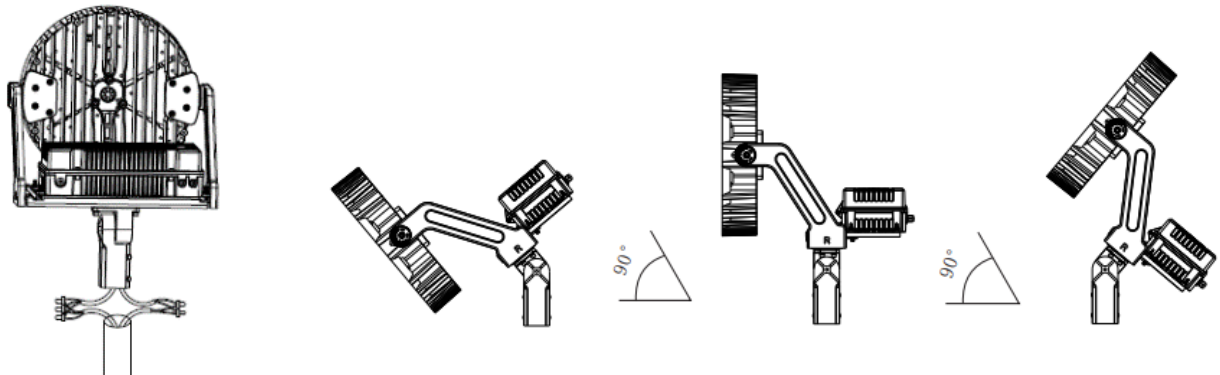
- Connect the wires according to the wiring diagram.

SLIP FITTER:

- Run the wires through the pre-installed base plate. Pull the wires through the slip fitter.
- Install the slip fitter on the fixture using the hardware provided.



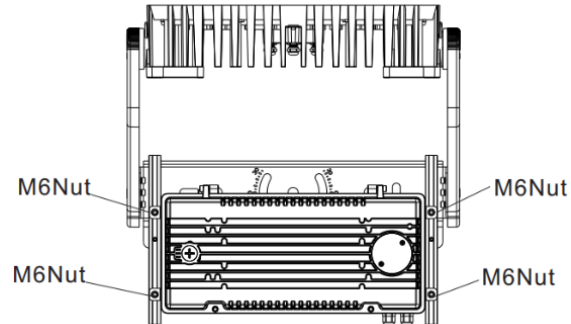
- Loosen the 4 locking bolts on the slip fitter, connect the wire according to the wiring diagram and put the wire into pole. Then fasten the locking bolts between slip fitter and the pole.
- Once secured, loosen the adjustment bolt to adjust the fixture tilt angle (0-180°).



INSTALLATION INSTRUCTIONS

REMOTE DRIVER:

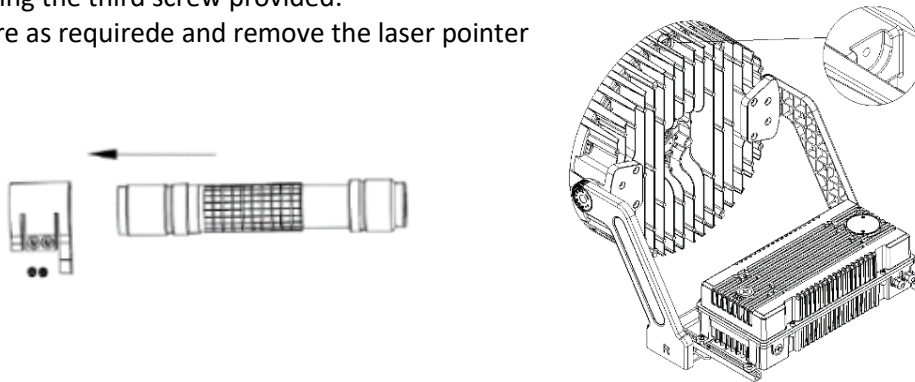
1. Disconnect the light head from the power supply box by releasing the twist lock and pulling the cable.
2. Remove the M6 screws to release the power supply box from the fixture.



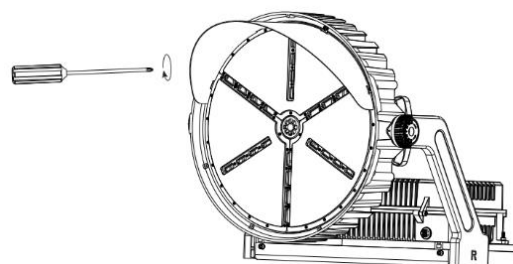
3. Connect an appropriate extension cable (sold separately) to the light head cable and run through the pole.
4. Mount the fixture on the pole and mount the supply box at the remote location.
5. Connect extension cable to the supply box.

ACCESSORIES

- **Laser Pointer:** Attach the bracket to the laser pointer using two screws provided. Then mount the bracket to the fixture using the third screw provided.
- Aim the fixture as required and remove the laser pointer



- **Visor:** Fix the light shield to the luminaire with screws provided.

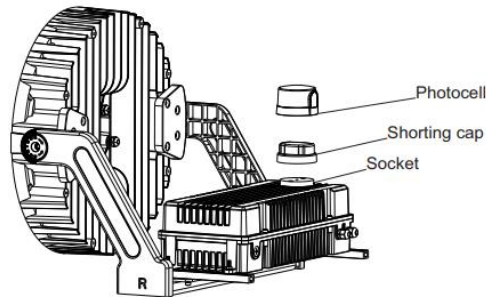


SFL3/4-LED



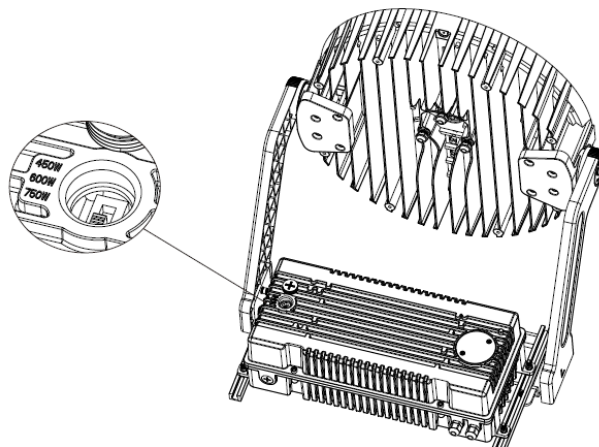
INSTALLATION INSTRUCTIONS

- **Photocell:** Insert the photocell and twist to lock-in. If no photocell is in use, the socket must be sealed with a shorting cap.



LUMEN SELECT SWITCH

- Remove the 1/2" thread plug on the supply box and adjust the lumen/wattage level as marked on the box.



WIRING

- Check that the line voltage is correct.
- Connect fixture **GROUND** (green) wire to power supply **GROUND** (green) wire.
- Connect fixture **WHITE** wire to power supply **NEUTRAL** wire.
- Connect fixture **BLACK** wire to power supply **LINE** wire
- The fixture includes 0-10V dimming functionality, connect **GREY** or **PINK** and **VIOLET** wires to a 0-10V dimming controller (optional).

	HOT	BLACK	
SUPPLY	NEUTRAL	WHITE	LIGHT FIXTURE
	GROUND	GREEN	
0-10V DIM		GREY OR PINK	
		VIOLET	