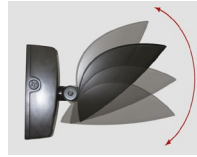


The VEK2-LED65 is an adjustable multi-purpose fixture that replaces traditional wall packs and floods. The head can be aimed up or down where light is needed. The fixture includes a photocell for dusk to dawn operation.



### APPLICATIONS

**Ideal for use on outdoor walls along perimeters of buildings, townhouses, condominiums, schools. Can be used as an uplight in indoor/canopy applications. (Do not use as an outdoor uplight.)**

<b>Project</b>	
<b>Type</b>	
<b>Date</b>	
<b>Notes</b>	

### SPECIFICATIONS

#### Construction

Die cast aluminum housing with tamper proof stainless steel hardware. Clear tempered glass lens with a gasket. There are 5 conduit entries and the unit has a leveling bubble on the back box for proper alignment.

#### LED configuration

The VEK2-LED65 has Citizen LED COBs that deliver 8,375 lumens. The LEDs have a color temperature of 5000K, a CRI of greater than 70 and an operating temperature range of -40° C to +40° C. 4000K and 3000K also available.

#### Mounting

Wall mount, ceiling mount or ground mounted on a concrete pad. Unit can be mounted to standard junction boxes.

#### Adjustable head

The fixture can be aimed 0° - 90° delivering more lumens on the ground where needed.

#### Electrical

Total system wattage of the unit is 65W. The unit has high efficiency drivers that operate at 120V standard. 277V also available.

#### Finish

Standard finish is Bronze, Black or White. Please consult factory for custom color.

#### Photocell

Included for dusk to dawn operation or custom requirements.

#### Accessories

On/Off Motion Sensor, Dimmable Motion Sensor, Goof Tray

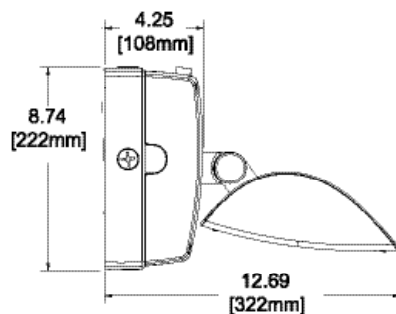
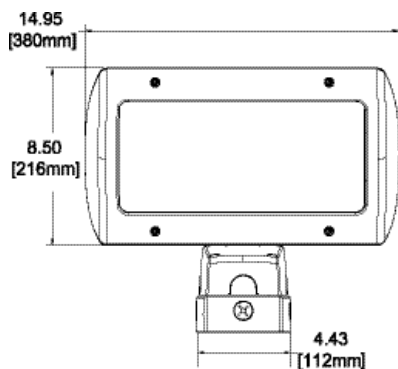
#### Sign light

The VEK Series of fixtures can also be used with various arms for sign lighting. Contact us to learn more.

<b>Input Watts</b>	<b>64.4W</b>
<b>Lumens</b>	<b>8,375</b>
<b>Efficacy</b>	<b>130 lumens per watt</b>

<b>Operating Temperature</b>	<b>-40°C to +40°C</b>
<b>Certification</b>	<b>cULus</b>
<b>Warranty</b>	<b>5 Years</b>
<b>LED life</b>	<b>100,000 hours</b>

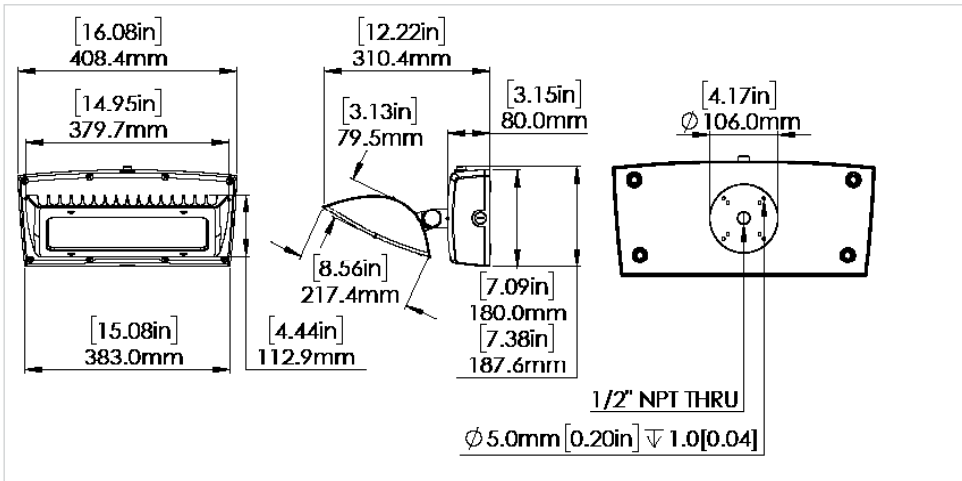
### DIMENSIONS



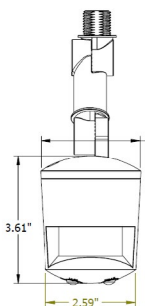
With Optional Motion Sensor



VEK WITH BATTERY BACKUP



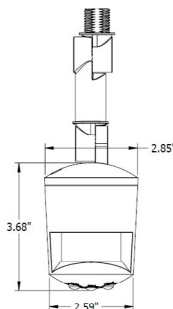
MS180S On/Off Sensor (SMS)



**On/Off Sensor**

The MS180S is a fully adjustable motion sensor that can be set for dusk to dawn operation or other custom applications.

MS180DIM 0 - 10V Dimmable Smart Sensor (DMS)



**Dimmable Smart Sensor**

The MS180DIM is a fully adjustable, dimmable smart sensor that allows you to provide reduced light levels as low as 10% when no motion is detected.

**FEATURES: DIMMABLE SMART SENSOR**

- Adjustable light levels ensure fixture is fully on when needed and dimmed or off when not.
- Smart dimming reduces electrical load and heat generated by the fixture resulting in increased fixture life.
- Sensor has an extension arm with two rotatable joints that allow mounting from the bottom conduit access or the side conduit access of fixture.
- Daylight sensor without smart dimming (MS180S) also available in the same design.

SIGN LIGHT OPTION



**VEK Sign Light**

Wall mount sign light . Also available as a roof mount.  
(order separately)



**Goof Tray**

VEK with a Goof Tray to hide damage and discoloration on mounting surface.  
(order separately)

ORDERING GUIDE

<b>VEK2</b>	-	<b>LED65</b>	-		-		-	<b>DIM</b>	-	
		<b>VOLTAGE</b>		<b>COLOR TEMP</b>		<b>FINISH</b>		<b>DRIVER</b>		<b>OPTIONS</b>
		<b>A - 120V*</b> <b>F - 277V</b>		<b>5K - 5000K*</b> <b>4K - 4000K</b> <b>3K - 3000K</b>		<b>BRZ - BRONZE*</b> <b>WHT - WHITE*</b> <b>BLK - BLACK*</b> <b>CC - Custom</b> <b>Color</b>		<b>DIM - Dimmable*</b>		<b>PC - Photocell*</b> <b>SMS - On/Off Sensor</b> <b>DMS - Dimmable smart</b> <b>sensor</b> <b>BBK - Battery Backup</b>

\* Standard configuration

Consult customer service to add the dimmable smart sensor (MS180DIM) or the on/off sensor (MS180S) to the VEK fixture as a combined unit. Goof tray accessories can be ordered separately.