

INSTALLATION INSTRUCTIONS



ELECTRICAL SHOCK HAZARD

READ, UNDERSTAND, and FOLLOW these instructions before installing the equipment.

WARNING

Disconnect the Electrical supply power at the service panel (fuse or circuit breaker box). Failure to do so could result in serious injury or death. Only qualified electricians should install this luminaire and the installation MUST conform to the Canadian Electrical Code Part I or the National Electrical Code and all local codes and ordinances for installation in Class I Division 2 or Class II Division 2 or Ordinary location as applicable. Ensure that only proper tools, materials, and equipment are used to complete the installation.

SAFETY

- Proper grounding is required to ensure personal safety.
- Luminaire should be mounted in locations where unauthorized personnel will not readily subject it to tampering.
- Do not use this equipment for anything other than its intended purpose.
- Servicing this equipment should be performed by qualified service personnel.
- Ensure the pole is grounded as per Canadian Electrical & National Electrical Codes as applicable.
- Save these instructions.

SPECIFICATIONS

- Supply Voltage: 120-277V
- 50/60 Hz
- Maximum Amperage: 0.25A
- Max Wattage: 30W

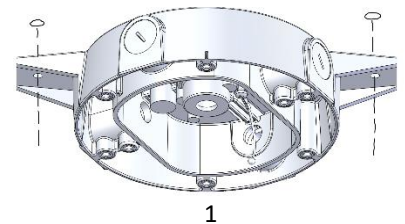
TOOLS REQUIRED

- Phillips Screwdriver and Allen Key (Size #5)

INSTALLATION

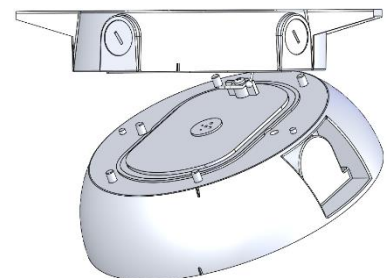
CEILING MOUNTING

1. Mount the junction box onto the ceiling using two appropriate screws for hole size (∅ 6.5mm) (hardware not included). [1]



1

2. Feed the power supply cable through any of the five 1/2-inch NPT threaded openings of the junction box. Ensure all four unused threaded openings remain plugged.



2

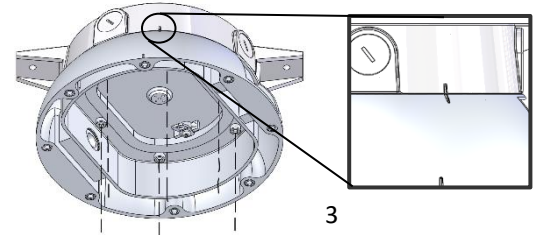
3. Hook the housing onto the aircraft support cable and connect the wires according to the wiring diagram on page 6. [2]

NMV2-LED

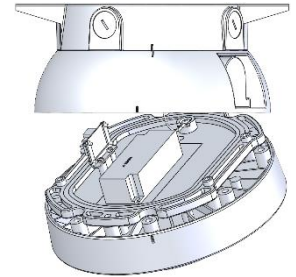
INSTALLATION INSTRUCTIONS



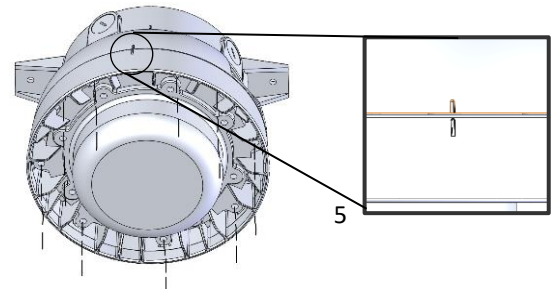
- 4. Align the marking lines and use six ½ inch M5 bolts to attach the housing to the junction box. [3]



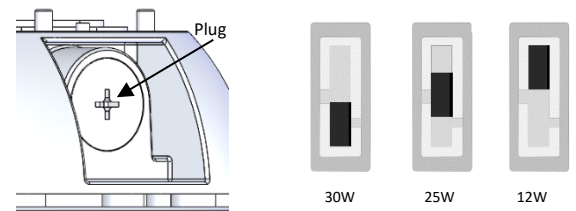
- 5. Hook the heat sink onto the aircraft support cable and connect the respective quick disconnects. [4]



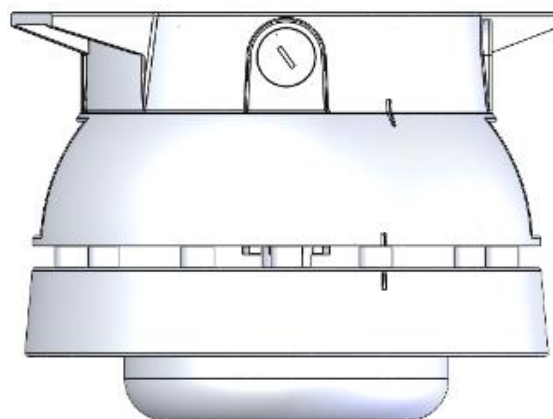
- 6. Align the marked lines and attach the heat sink to the housing using eight 1 ½ inch M5 screws. [5]



- 7. Remove the plug to access lumens select switch and adjust as desired. [6]



6



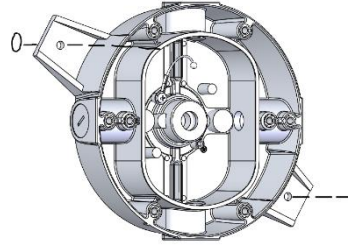
NMV2-LED



INSTALLATION INSTRUCTIONS

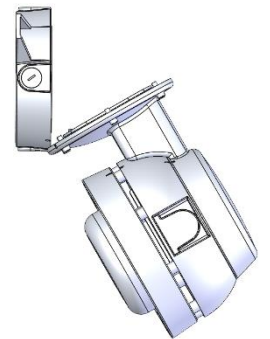
WALL MOUNTING

1. Mount the junction box onto the wall using two appropriate screws for hole size (\varnothing 6.5mm) (hardware not included). [1]



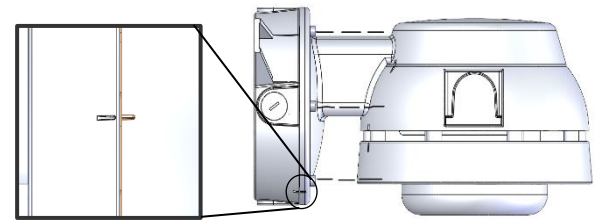
1

2. Feed the power supply cable through any of the five 1/2-inch NPT threaded openings of the junction box. Ensure all four unused threaded openings remain plugged.



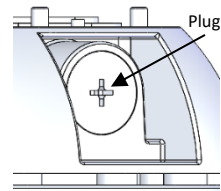
2

3. Hook the housing onto the aircraft support cable and connect the wires according to the wiring diagram on page 6. [2]

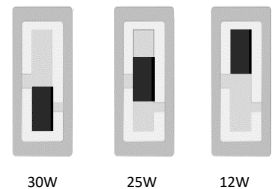


3

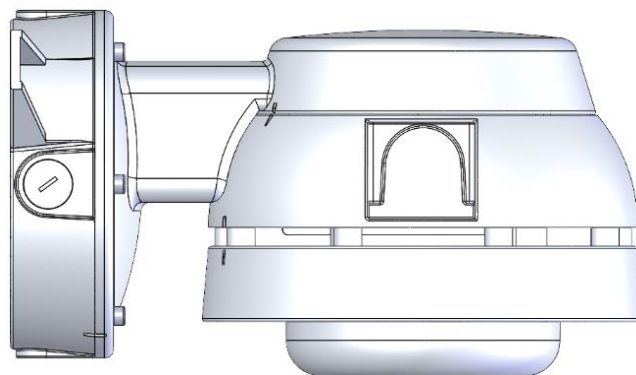
4. Align the marked lines and use six 1-inch M5 bolts to attach the housing to the junction box. [3]



4



5. Remove the plug to access lumens select switch and adjust as desired. [4]



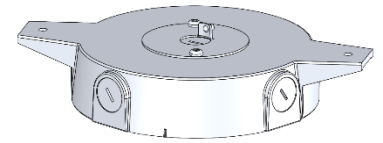
NMV2-LED

INSTALLATION INSTRUCTIONS



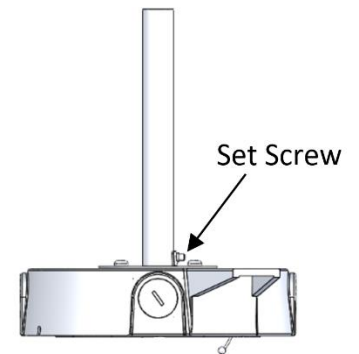
PENDANT MOUNTING

1. Remove the top conduit plug and attach the support plate over the junction box with hardware provided (Torque $1.2 \pm 0.2 \text{ Nm}$), mount the junction box to the threaded end of the pipe by twisting it. [1]



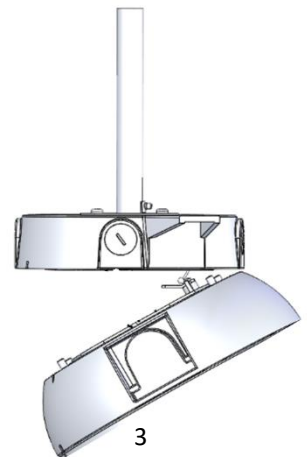
1

2. Secure it in place with a set screw (Torque $0.8 \pm 0.1 \text{ Nm}$). [2]



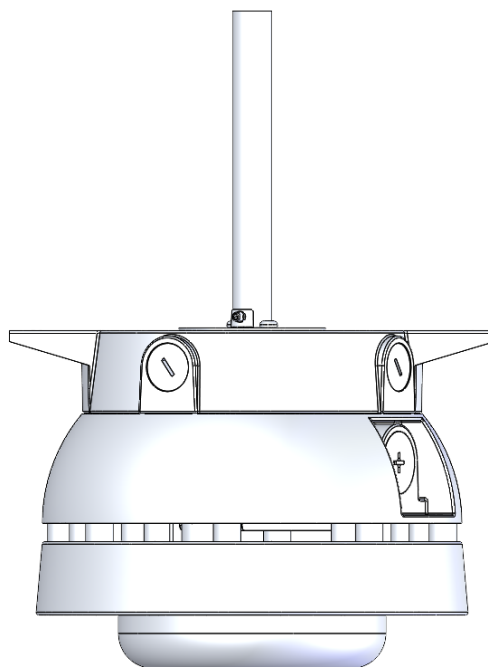
2

3. Pull the power supply cable through the pipe. Ensure all four unused threaded openings remain plugged. [3]



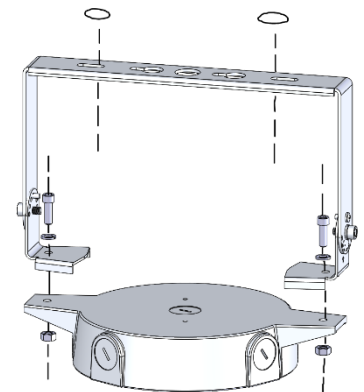
3

4. Follow the install instructions for ceiling mount step 3-7.

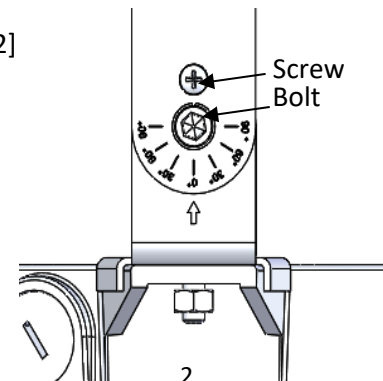


INSTALLATION INSTRUCTIONS**YOKE MOUNTING**

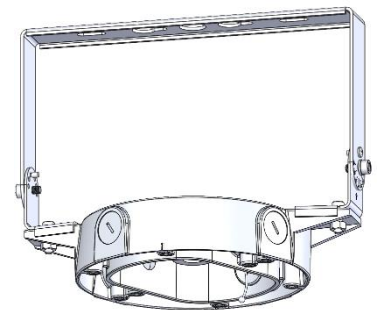
1. Attach the junction box to the yoke bracket with the two provided hardware set (Torque $1.5 \pm 0.2 \text{ Nm}$). [1]
2. Secure the yoke to the mounting surface with appropriate screws for hole size ($\varnothing 6.5 \text{ mm}$) (hardware not included).
3. Take out the screws and loosen the bolts on the yoke to adjust the orientation of the fixture. [2]
4. Feed in the power supply cable through any of the five 1/2-inch NPT threaded openings of the junction box. Ensure all four unused threaded openings remain plugged. [3]
5. For installation of the luminaire in hazardous or ordinary locations only a suitable flexible wiring method shall be used. The flexible wiring method used shall be in accordance with the provisions of the applicable installation code (National Electrical Code or Canadian Electrical Code) for the specific hazardous locations area classification or for ordinary locations as applicable.
6. Follow the install instructions for ceiling mount step 3-7.



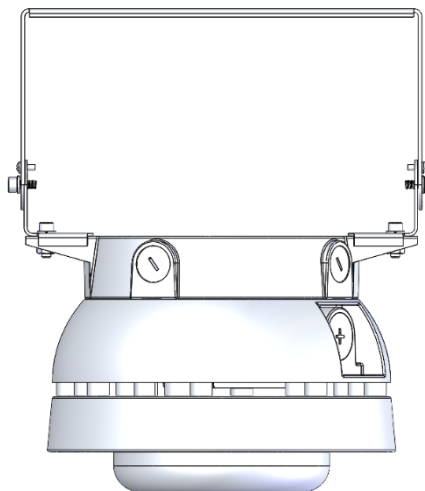
1



2



3



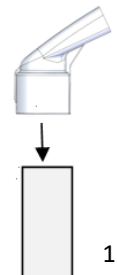
NMV2-LED



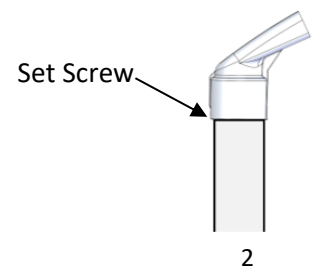
INSTALLATION INSTRUCTIONS

STANCHION MOUNTING

1. Pull the power supply cable from the pole through the stanchion mount slip fitter. [1]

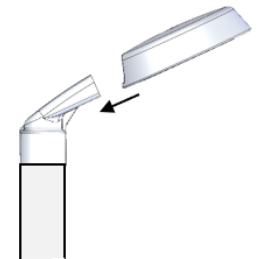


2. Mount the slip fitter by twisting it onto the pole and securing it using a safety set screw (Torque $0.8 \pm 0.1 \text{Nm}$). [2]

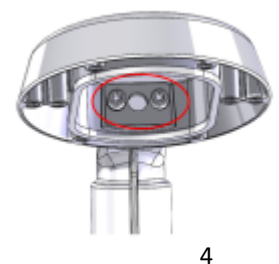
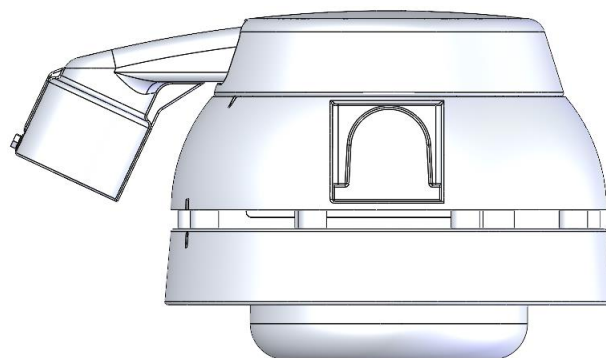


3. Attach the junction box to the slip fitter using the two screws provided and pull the power supply cable through the junction box. [3]

4. At the junction box entry, tie a knot with the supply conductor to ensure the conductors are not pulled back. [4]



5. Follow the install instructions for ceiling mount step 3-7.



WIRING

- Check that the line voltage is correct.
- Connect fixture **GROUND** (green) wire to power supply **GROUND** (green) wire.
- Connect fixture **WHITE** wire to power supply **NEUTRAL** wire.
- Connect fixture **BLACK** wire to power supply **LINE** wire
- The fixture includes 0-10V dimming functionality, connect **PINK** and **PURPLE** wires to a 0-10V dimming controller (optional).

