



# FL3-LED51

## LED Flood Light



Yoke Mount

### SPECIFICATIONS\*

Watts	47
Lumens	6118
Efficacy	129.5
Replaces Up To	1000 W Quartz
Colour Tem	4000K, 5000K
Certification	cULus, IP65
Operating Temp	-40°C to +40°C
Voltage	120-277*
LED Life	100,000 hours
Housing Material	Die Cast Aluminum
Lens Material	Polycarbonate
Lens Type	Clear
Total Harmonic Distortion	15
Power Factor	0.9
CRI	70
Mounting	Knuckle, Yoke
Dimming	0-10V Dimming
Surge Suppression	Built-In 2kV
Weight (lbs)	5.1

\*Standard



## DESCRIPTION

The FL3-LED51 is our compact economy multi-purpose floodlight/sign light ideal for a variety of applications such as building facades, patios, yards, landscape lighting and storefronts.

## APPLICATIONS



Building  
Facades



Patios & Yards



Landscape  
Lighting

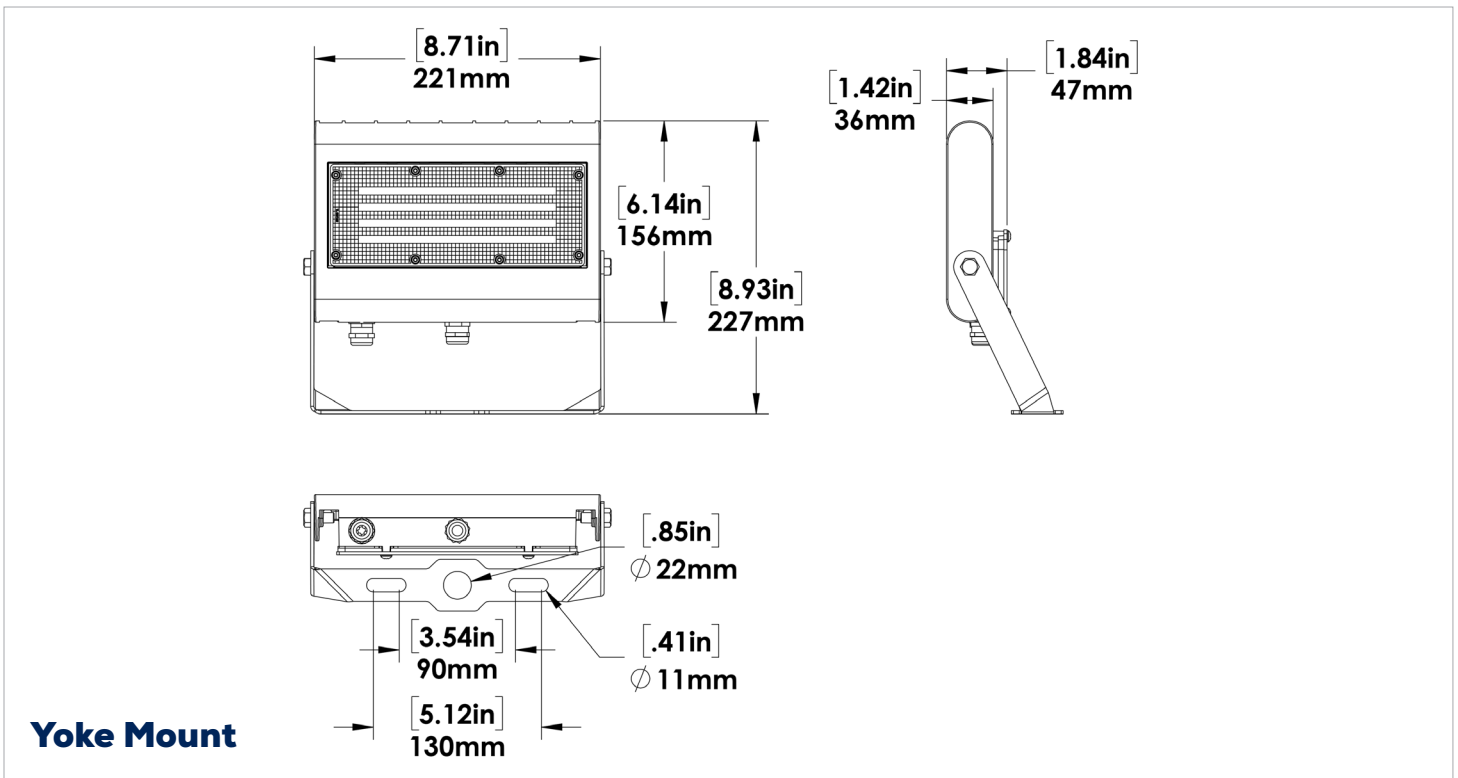
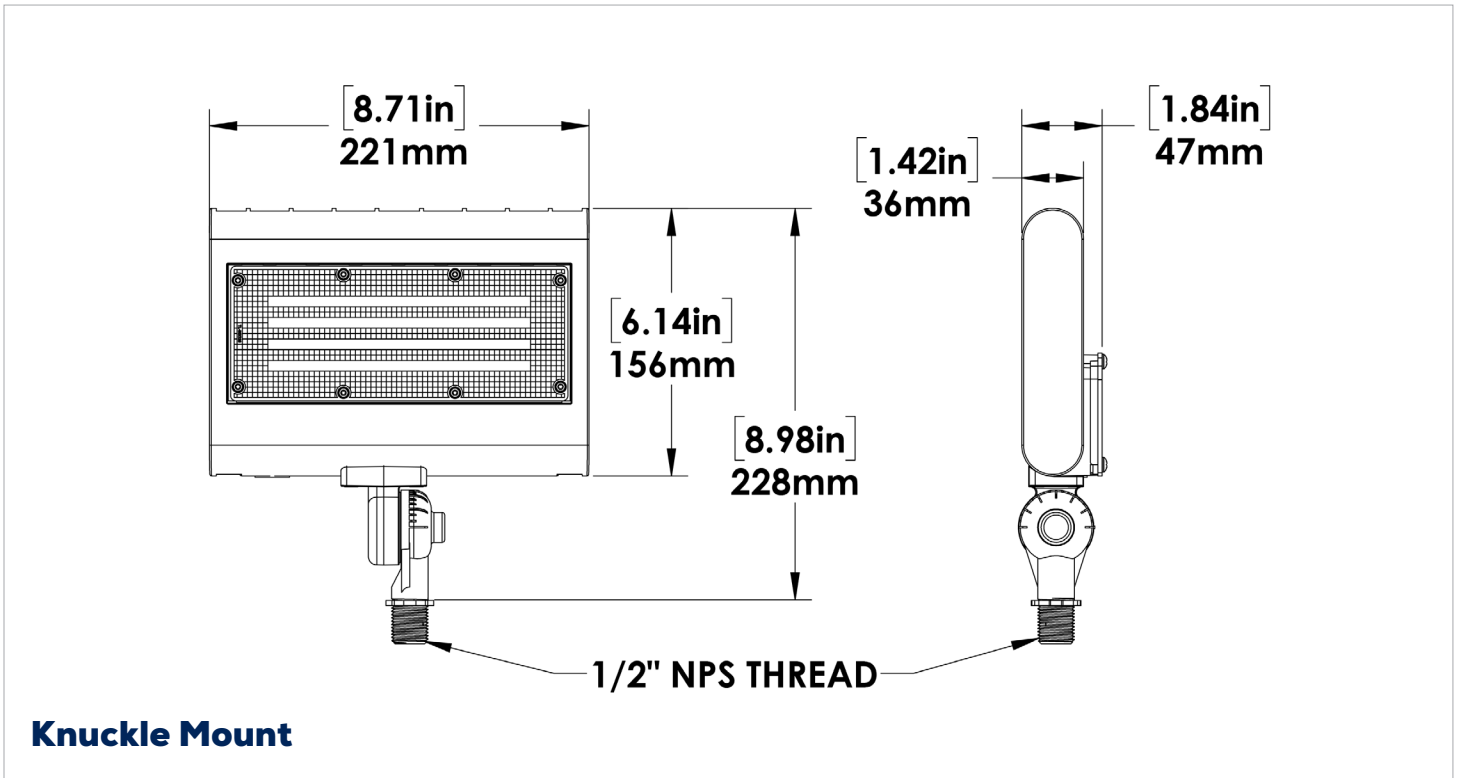


Sign Lighting

## FEATURES

- Die cast aluminum housing with polycarbonate lens.
- Wide 7H X 7V beam is standard.
- Available as a knuckle or yoke mount. Also used as a sign light when combined with various arms.
- Ideal replacement for 1000W Quartz floods.
- High efficacy over 125 lumens per watt.
- Knuckle mounts to standard DC100 cover (purchase separately).

**DIMENSIONS**



## OTHER MODEL SPECIFICATIONS

DESCRIPTION	VOLTAGE (V)	INPUT POWER (W)	LIGHT OUTPUT	EFFICACY (Lm/W)	THD	PF	CCT
FL3-LED51-B-4K-XXX-XX	120-277V	47	6118	129.5	15	0.9	4000
FL3-LED51-B-5K-XXX-XX	120-277V	47	6219	131.6	15	0.9	5000

### LEGEND

B - 120V-277V  
 4K - 4000K, 5K - 5000K,  
 XXX - FINISH  
 XX - MOUNTING

AMPERAGE DRAW & SURGE PROTECTION					
	CURRENT(A)				SURGE PROTECTION (kV)
	120V	208V	240V	277V	
FL3-LED51	0.44A	0.26A	0.22A	0.19A	2kV

MAINTIEN DE LA LUMINOSITÉ			
	50,000	75,000	100,000
FL3-LED51	90%	85%	81%

## ORDERING GUIDE - FLOOD

<b>FL3</b>	<b>LED51</b>	<b>B</b>			<b>DIM</b>	
WATTS	VOLTAGE	COLOR TEMP.	FINISH	DIMMING	MOUNTING	
	B - 120 - 277V*	4K - 4000K* 5K - 5000K*	BRZ - BRONZE* CC - CUSTOM FINISH	DIM - 0 -10V DIMMING*	KN - KNUCKLE MOUNT* YK - YOKE MOUNT*	

\*Standard Configuration.

## ORDERING GUIDE - SIGN LIGHT

<b>FL3</b>	<b>LED51</b>	<b>B</b>			<b>DIM</b>		
WATTS	VOLTAGE	COLOR TEMP.	FINISH	DIMMING	MOUNTING	ARM	
	B - 120 - 277V*	4K - 4000K* 5K - 5000K*	BRZ - BRONZE* CC - CUSTOM FINISH	DIM - 0 -10V DIMMING*	KN - KNUCKLE MOUNT*	ARM1 ARM2 ARM3 ARM5	