

INSTALLATION INSTRUCTIONS



ELECTRICAL SHOCK HAZARD

READ, UNDERSTAND, and FOLLOW these instructions before installing the equipment.

WARNING

Disconnect the Electrical supply power at the service panel (fuse or circuit breaker box). Failure to do so could result in serious injury or death. Only qualified electricians should install this fixture and the installation **MUST** conform to the Electrical Code and all local codes and ordinances. Ensure that only proper tools, materials, and equipment are used to complete the installation.

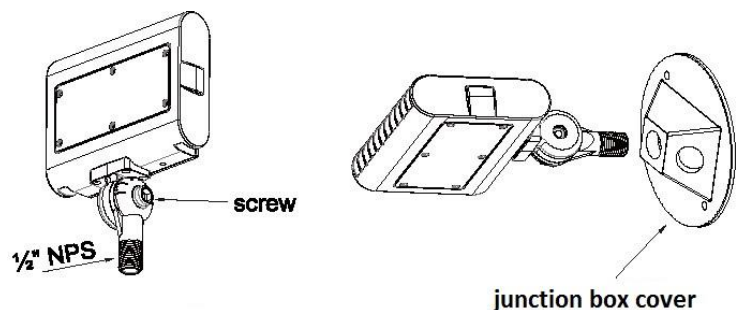
SAFETY

- Proper grounding is required to ensure personal safety.
- Fixture should be mounted in locations where unauthorized personnel will not readily subject it to tampering.
- Do not use this equipment for anything other than its intended purpose.
- Servicing this equipment should be performed by qualified service personnel.
- Save these instructions.
- This equipment has been tested and found to comply with the limits for a Class B digital device, pursuant to part 15 of the FCC Rules. These limits are designed to provide reasonable protection against harmful interference in a residential installation. This equipment generates, uses and can radiate radio frequency energy and, if not installed and used in accordance with the instructions, may cause harmful interference to radio communications.
- Changes or modifications to this unit not expressly approved by the party responsible for compliance Could void the user authority to operate the equipment.
- **MIN 75 °C SUPPLY CONDUCTOR**

INSTALLATION KNUCKLE MOUNT

The fixture has ½" NPS locking swivel knuckle that is suitable for mounting with a junction box or into a junction box cover (sold separately).

- Pull the wires into the hole of the junction box or cover (not provided).
- Make wiring connections as per wiring diagram.
- Mount the fixture to junction box or cover by screwing the locking swivel knuckle into junction box or cover.
- Loosen the screw on swivel portion of the knuckle, adjust the fixture to a suitable orientation, and then tighten the screw.
- Use Teflon tape or silicone to seal any threaded contact between the knuckle and junction box or cover.

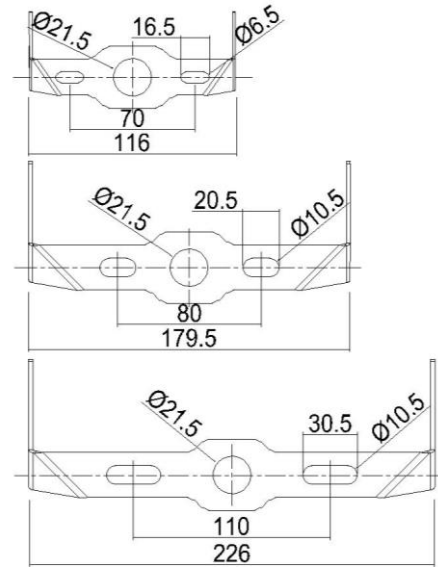
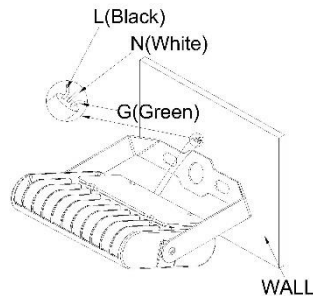


INSTALLATION INSTRUCTIONS

INSTALLATION YOKE MOUNT

DO NOT remove the yoke from the fixture.

- Mount the fixture to the wall with appropriate expansion bolts/screws (not provided) as per hole spacing diagram.
- Pull the wires into the junction box (not provided).
- Make wiring connections as per wiring diagram.
- Loosen the screws on yoke, adjust the fixture to a suitable orientation, and then tighten the screws.



WIRING

- Check that the line voltage is correct.
- Connect fixture **GROUND** (green) wire to power supply **GROUND** (green) wire.
- Connect fixture **WHITE** wire to power supply **NEUTRAL** wire.
- Connect fixture **BLACK** wire to power supply **LINE** wire.
- The fixture includes 0-10V dimming functionality, connect **GREY** or **PINK** and **VIOLET** wires to a 0-10V dimming controller (optional).

