

The TS-LED is ideal for stairwells, maintenance areas, industrial applications with low ceilings, particularly within the mining industry. The LED option can replace a 150MH fixture giving similar light levels.



### APPLICATIONS

**Ideal for rough service applications, tunnels, maintenance areas, and mining applications.**

<b>Project</b>	
<b>Type</b>	
<b>Date</b>	
<b>Notes</b>	

### SPECIFICATIONS

#### Construction

Die-cast aluminum alloy (LM6M). The housing has a 1/2" threaded entry on both ends of the luminaire. One entry is plugged.

#### Frame Assembly

The lens frame is a die-cast aluminum alloy with a continuous neoprene gasket. The lens is secured by four corner brackets and is sealed to the lens frame with a gasket. A stainless steel pin hinges the lens frame assembly to the housing, while a captive stainless steel screw secures the other end.

#### Optical Assembly

The aluminum reflector design, combined with the prismatic borosilicate lens, provides a precise and efficient optical performance.

#### LED Configuration

Six LED arrays driven at 500ma provide 4467 lumens. The LEDs consume 58 watts (total power consumed 70 watts). Standard unit comes with 4k LEDs.

#### Driver

Standard unit comes with a 120-277 volt driver at 500ma.

#### Options

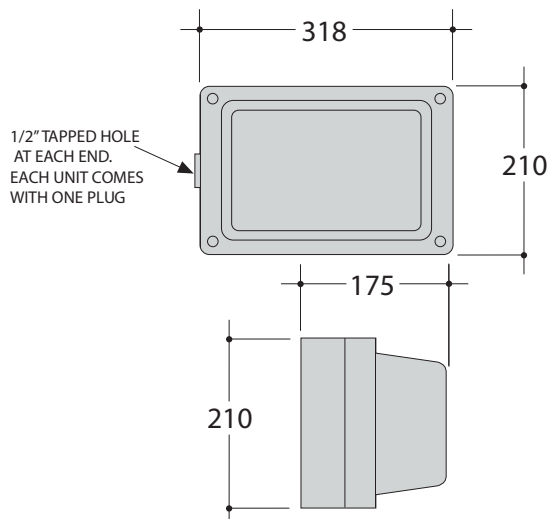
Wireguard, Polycarbonate lens, Hazardous Class 1 Div. available.

#### Finish

Standard finish is black.

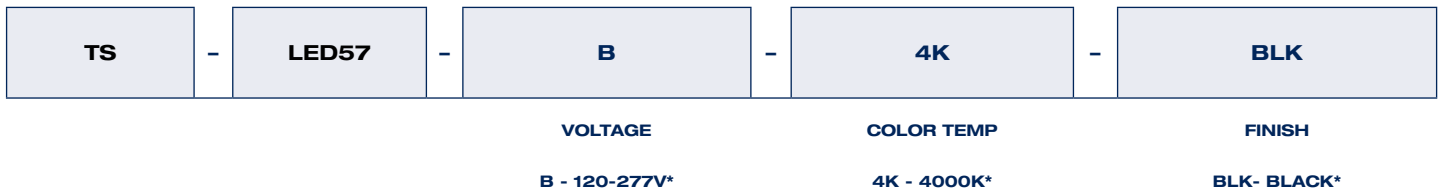
<b>Equivalent to</b>	<b>150 MH</b>
<b>Fixture Watts</b>	<b>58W</b>
<b>Lumens</b>	<b>4,467</b>
<b>Efficacy</b>	<b>77 lumens/watt</b>
<b>Rated Life</b>	<b>100,000 hours</b>
<b>Color Temperature</b>	<b>4000K (standard)</b>
<b>Warranty</b>	<b>5 Years</b>
<b>Operating temperature</b>	<b>-40°C to +40°C</b>

### DIMENSIONS



---

ORDERING GUIDE



\* Standard configuration