



SCL1S-LED

Square Canopy Light LED



IDEAL APPLICATIONS

- ✓ Canopies
- ✓ Walkways
- ✓ Schools
- ✓ Malls
- ✓ Offices
- ✓ Condominiums

DESCRIPTION:

The SCL1S-LED is a general purpose canopy fixture ideal for covered walkways and outdoor canopy structures in condominiums, apartments, and offices. This is a selectable unit with features including lumen adjustability, colour selection, and voltage range of 120-277V.

FEATURES:

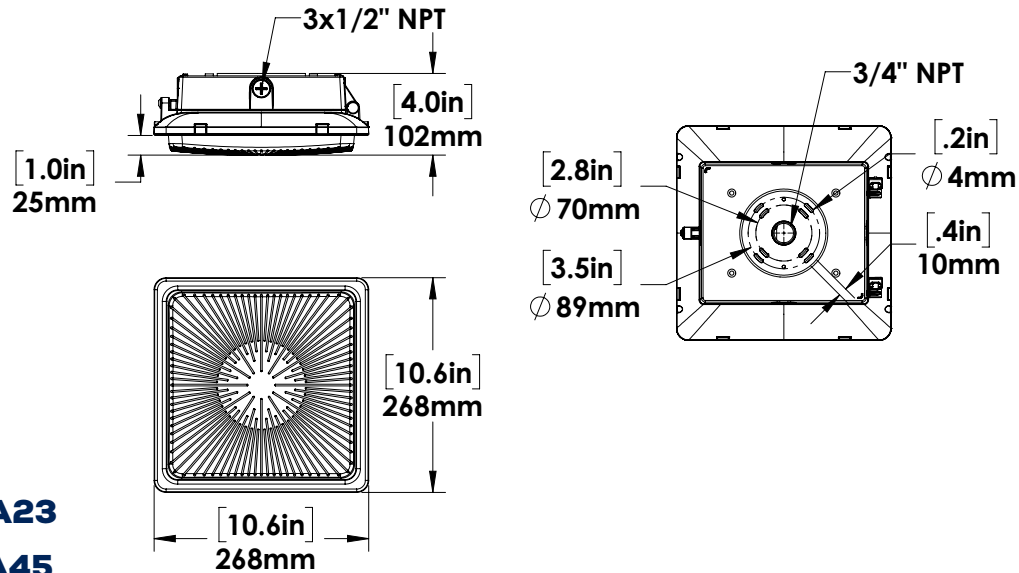
- Rugged in design with die cast aluminum housing and polycarbonate lens.
- Selectable Unit - 120-277V, lumen adjustable, and colour selectable.
- Surface mount or pendant mount (pendant supplied by others)
- Side hinged design allowing Installers to use both hands while wiring making it easy to install.
- 4 conduit entries (3 on each side and 1 on the back)
- Factory installed motion sensor option for improved energy saving and optimum fixture usage.
- SCL1S-LED45A23 replaces 100 - 150W HID fixtures and is ideal for mounting heights of 7' - 15'.
- SCL1S-LED70A45 replaces 175 - 250W HID fixtures and is ideal for mounting heights of 12' - 20'.

SPECIFICATIONS*	SCL1S-LED45A23	SCL1S-LED70A45
Tested Wattage (Maximum)	46.76W	70.46W
Tested Lumens (Maximum)	6586lm	9593lm
Efficacy	140.8 lm/W	136.1 lm/W
Voltage	120-277V	
CCT	Variable Kelvin (3000K/4000K/5000K)	
CRI	74	
Dimming	0-10V Dim (10%-100%)	
Power Factor	≥0.90	
LED Life (L78)	100,000 Hours	
Finish	Bronze	
Housing Details	Die Cast Aluminum	
Lens Details	Polycarbonate	
B-U-G Rating	B2-U0-G1	B3-U0-G2
Mounting	Surface/Pendant mount	
Number of Conduit Entries	3 - 1/2" NPT (Sides) 1 - 3/4" NPT (Back)	
Operating Temp.	-40°C to +40°C (-40°F to 104°F)	
Factory Installed Options	Dimming High Frequency Motion Sensor, 9W Battery Back up (SCL1S-LED45A23 only)	
Certifications Logos	UL, Wet Location, IP65, DLC Premium	

* Specs shown are for 120V/4000K



DIMENSIONS:



SCL1S-LED45A23
SCL1S-LED70A45

AMPERAGE DRAW & SURGE PROTECTION

	CURRENT (A)				SURGE PROTECTION (kV)
	120V	208V	240V	277V	120-277V
SCL1S-LED45A23	0.41A	0.24A	0.21A	0.18A	6kV
SCL1S-LED70A45	0.62A	0.36A	0.31A	0.27A	6kV

ADJUSTABLE LUMEN SETTINGS

	SCL1S-LED45A23		
	Power (W)	45	34
Lumens (lm)	6586	4930	3335
	SCL1S-LED70A45		
	Power (W)	70	55
Lumens (lm)	9593	7975	6525

*Values Shown are for 4000K setting

TM-21 ESTIMATED LUMEN MAINTENANCE

	50,000 Hours	75,000 Hours	100,000 Hours
SCL1S-LED45A23	89.8%	84.4%	79.4%
SCL1S-LED70A45	89.0%	83.4%	78.1%

Life hours are derived from IESNA LM-80 testing report and projected per IESNA TM-21 calculations.

FIXTURE WEIGHTS (LBS)

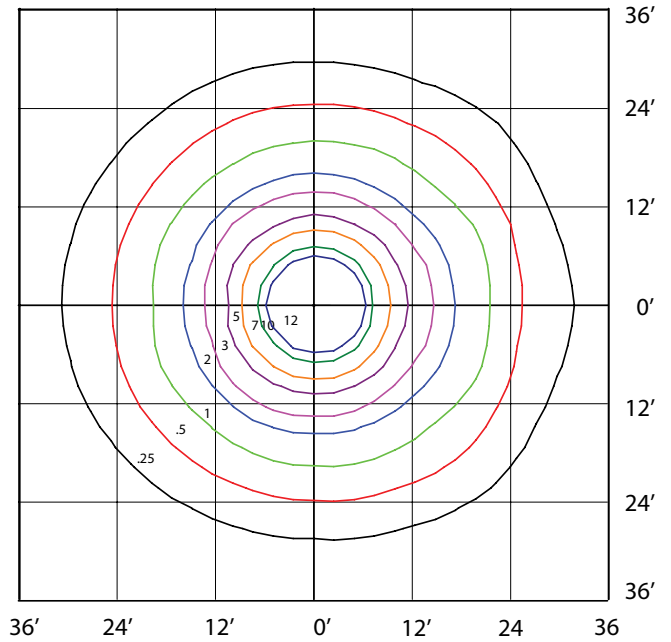
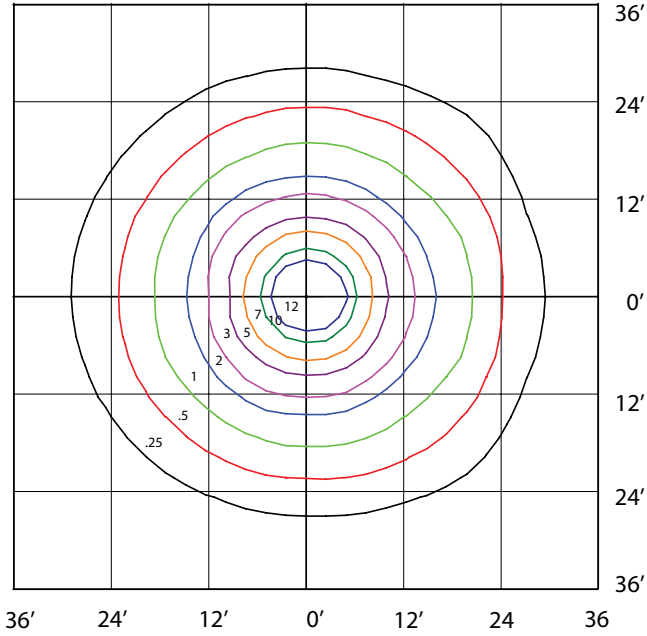
SCL1S-LED45A23	5.4
SCL1S-LED70A45	5.85

SCL1S-LED70A45-H-VK-BRZ-DIM (45WATT)
5000K

SCL1S-LED70A45-H-VK-BRZ-DIM (55WATT)
5000K

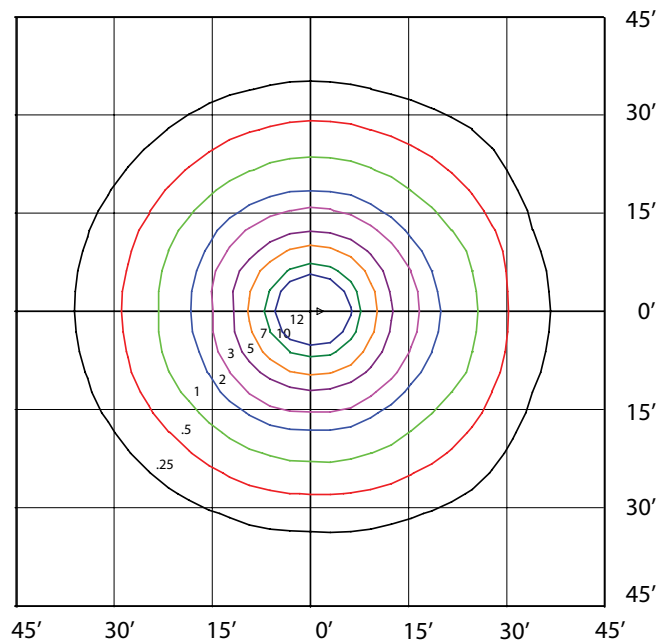
Total Lumens = 6075 Mounting Height = 12 Ft Maximum Calculated Value = 15.66.14 Fc

Total Lumens = 7425 Mounting Height = 12 Ft Maximum Calculated Value = 19.14 Fc



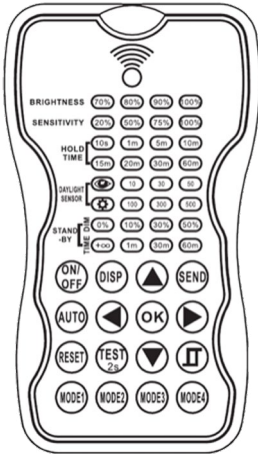
SCL1S-LED70A45-H-VK-BRZ-DIM (70WATT)
5000K

Total Lumens = 9410 Mounting Height = 15 Ft Maximum Calculated Value = 15.52 Fc



DHFS MOTION SENSOR

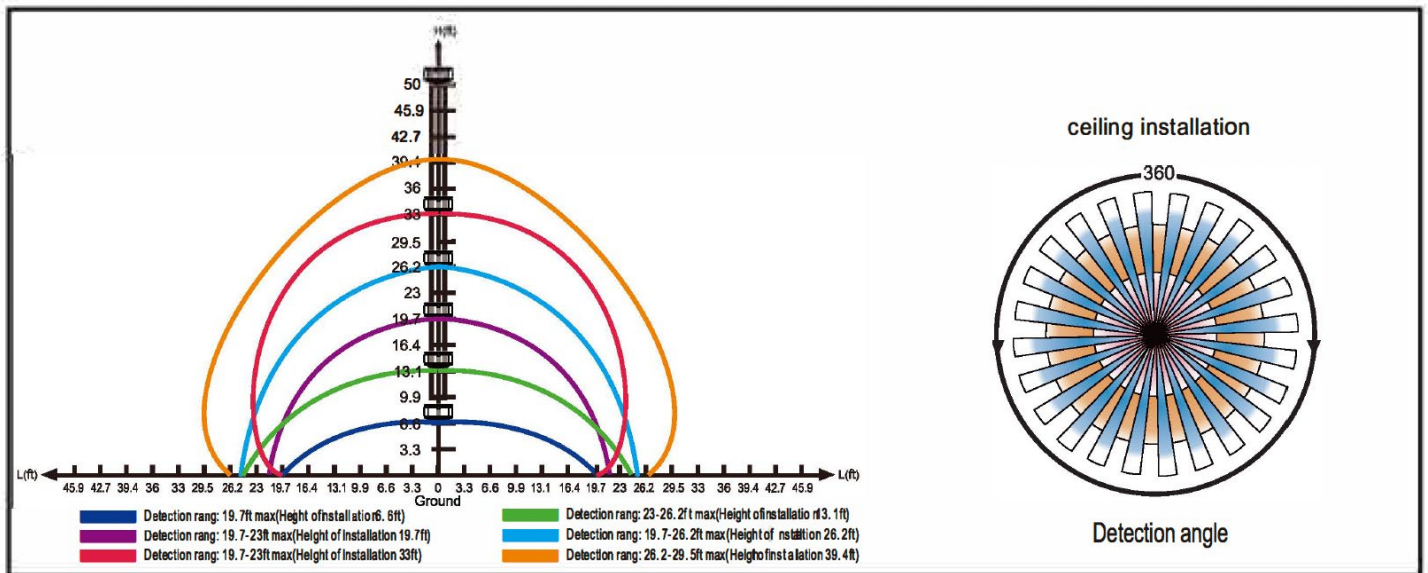
Dimming High Frequency Motion Sensor is factory installed and comes with the following default settings.



DEFAULT SENSOR SETTINGS					
BRIGHTNESS	SENSITIVITY	HOLD TIME	DAYLIGHT SENSOR	STAND-BY DIM	STAND-BY TIME
100%	100%	1 minute	Disabled	DIM: 30%	60 minutes

DHFS SENSOR SPECIFICATIONS	
INPUT	12V DC (AVAILABLE IN SCL1S DRIVER)
HF SYSTEM	5.8 GHZ± 75MHZ
DIM CONTROL OUTPUT	0-10V, MAX. 25MA SINKING CURRENT
DETECTION RADIUS/ANGLE	MAX 26FT.(8M) 360°
MOUNTING HEIGHT	MAX 40FT
REMOTE RANGE	50FT. (15M) INDOOR, NO BACKLIGHT
HUMIDITY	MAX. 95% RH
TEMPERATURE	-40°F - 104° F (-40°C - 40°C)

SENSOR COVERAGE



BATTERY BACK UP DETAILS

TECHNICAL SPECIFICATIONS	
RATED INPUT VOLTAGE	100-277VAC, 50/60HZ
INPUT CURRENT	20-100mA
INPUT POWER	8W
POWER FACTOR	0.6 @ 100VAC, 0.5 @277 VAC
OUTPUT POWER (EMERGENCY MODE)	9W±10%, CONSTANT POWER
OUTPUT WIRE L-out-N-out (LED LOAD INPUT)	AC 6A MAX
RECHARGE CURRENT	0-200mA
RECHARGE TIME	24 HOURS
DISCHARGE TIME	90 MINUTES
MAXIMUM CASE TEMPERATURE T_c	70°C
AMBIENT OPERATING TEMPERATURE T_a	10-60°C

Note: Lumen output with emergency battery backup can be calculated by multiplying battery power output with efficacy of fixture.

ORDERING GUIDE:

SCL1S		B	VK	BRZ	DIM		
Fixture	Wattage	Voltage	Color Temp.	Finish	Dimming	Controls	Battery Back Up
	LED45A23	B- 120-277V	VK - Color Selectable (3000K/4000K/5000K)	BRZ - Bronze	DIM - 0-10V Dimming	Blank	Blank
	LED70A45					DHFS - Dimming High Frequency Sensor	BBK8 - 9W Battery Back Up (For LED45A23 only)

STOCK CODE	DESCRIPTION
052585	SCL1S-LED45A23-B-VK-BRZ-DIM
052586	SCL1S-LED70A45-B-VK-BRZ-DIM

ORDERING GUIDE FOR ACCESSORIES

Options Sold Separately

Check the items that you wish to order:

052267 - RC-100 MOTION SENSOR REMOTE CONTROL

Note: Please order atleast one RC 100 remote control when DHFS is ordered.