



# RCL1S-LED

## Canopy Light LED



### IDEAL APPLICATIONS

- ✓ Canopies
- ✓ Walkways
- ✓ Strip Malls
- ✓ Schools
- ✓ Offices
- ✓ Condominiums

### DESCRIPTION:

The RCL1S is a round canopy general purpose canopy fixture ideal for covered walkways and outdoor canopy structures in condominiums, apartments, and offices..

### FEATURES:

- Rugged in design with die cast aluminum housing and polycarbonate lens.
- Selectable Unit - 120-277V, lumen adjustable, and colour selectable.
- Surface mount or pendant mount (pendant supplied by others)
- Side hinged design allowing Installers to use both hands while wiring making it easy to install.
- 4 conduit entries (3 on each side and 1 on the back)
- Factory installed motion sensor option for improved energy saving and optimum fixture usage.
- RCL1S-LED70A45 replaces 175 - 250W HID fixtures and is ideal for mounting heights of 12' - 20'.
- The RCL1S is a general purpose canopy fixture.

### SPECIFICATIONS\*

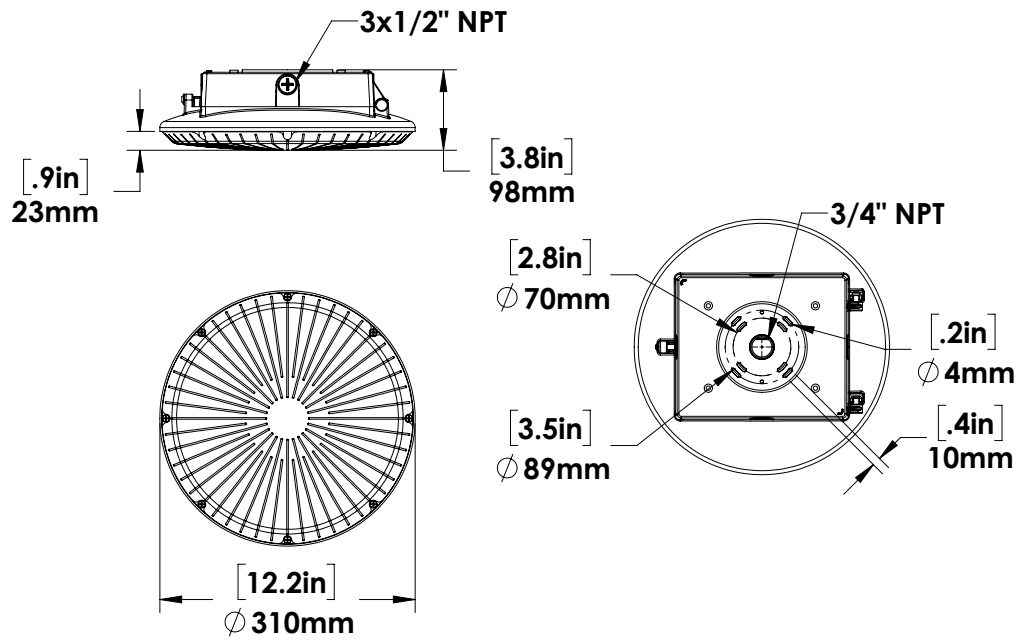
RCL1S-LED70A45

Tested Wattage (Maximum)	65.21W
Tested Lumens (Maximum)	9655 lm
Efficacy	148.1 lm/W
Voltage	120-277V
CCT	Variable Kelvin (3000K/4000K/5000K)
CRI	73.4
Dimming	0-10V Dim (10%-100%)
Power Factor	≥0.90
LED Life (L78)	100,000 hours
Housing Finish	Bronze, Custom Color
Housing Details	Die Cast Aluminum
Lens Details	Polycarbonate
B-U-G Rating	B3-U0-G2
Mounting	Surface/Pendant mount
Number of Conduit Entries	3 - 1/2" NPT (Sides) 1 - 3/4" NPT (Back)
Operating Temp.	-40°C to +40°C (-40°F to 104°F)
Factory Installed Options	Dimming High Frequency Motion Sensor
Certifications	UL, Wet Location, IP65, DLC Premium

\* Specs shown are maximum wattage, 4000K at 120V



## DIMENSIONS:



### AMPERAGE DRAW & SURGE PROTECTION

	CURRENT (A)				SURGE PROTECTION (kV)
	120V	208V	240V	277V	120-277V
RCL1S-LED70A45	0.57A	0.33A	0.29A	0.25A	6kV

### LUMEN ADJUSTABLE SETTINGS

Power (W)	70	55	45
Lumens (lm)	9655	7975	6525

### TM-21 ESTIMATED LUMEN MAINTENANCE

	50,000 Hours	75,000 Hours	100,000 Hours
RCL1S-LED70A45	89.5%	84.0%	78.9%

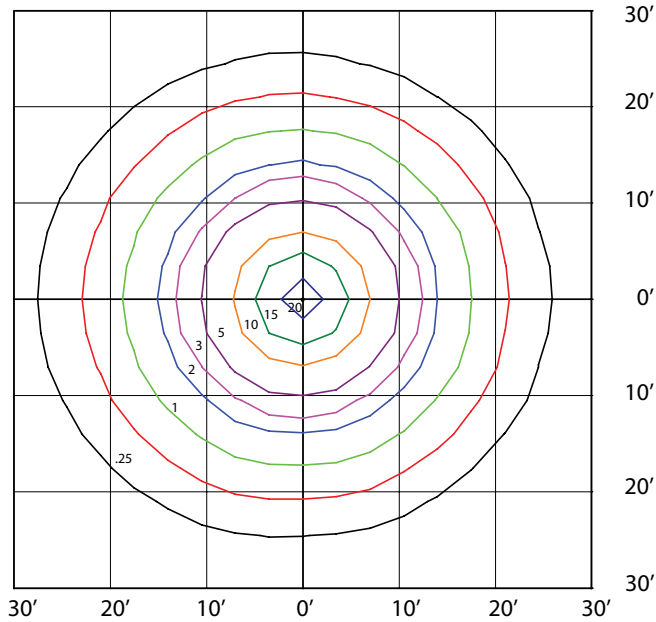
Life hours are derived from IESNA LM-80 testing report and projected per IESNA TM-21 calculations.

### FIXTURE WEIGHTS (LBS)

RCL1S-LED70A45	6
----------------	---

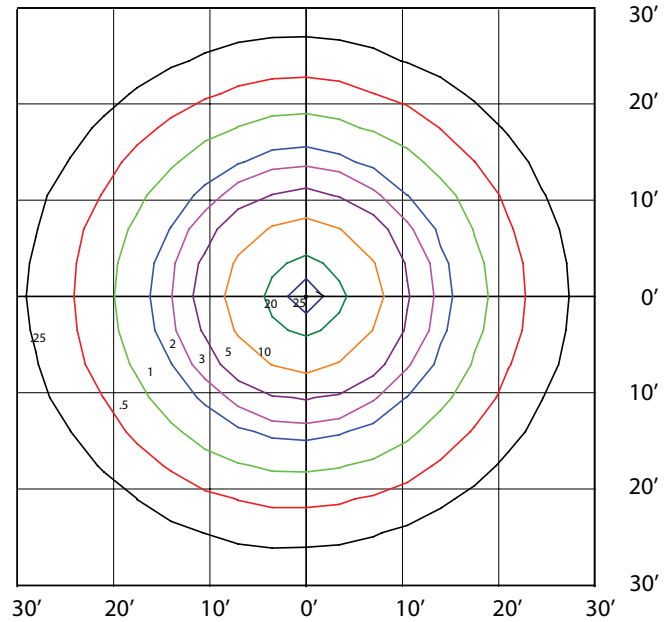
RCL1S-LED70A45-B-VK-BRZ-DIM (45WATT)  
5000K

Total Lumens = 6072    Mounting Height = 10 Ft    Maximum Calculated Value = 23. Fc



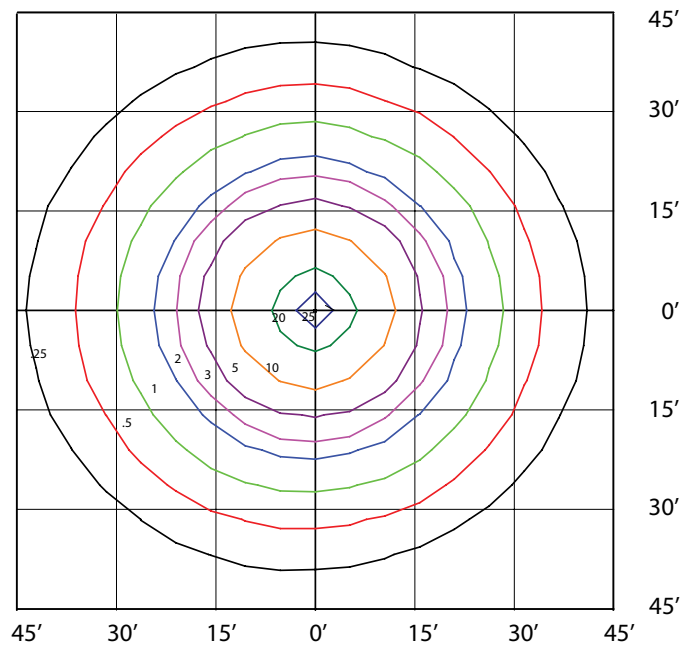
RCL1S-LED70A45-B-VK-BRZ-DIM (55WATT)  
5000K

Total Lumens = 7425    Mounting Height = 10 Ft    Maximum Calculated Value = 28. Fc



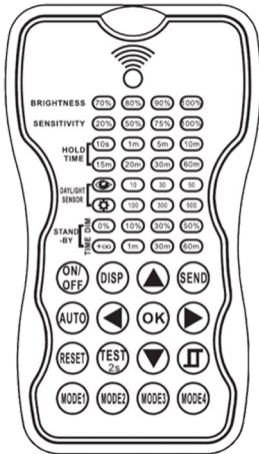
RCL1S-LED70A45-B-VK-BRZ-DIM (70WATT)  
5000K

Total Lumens = 9355    Mounting Height = 15 Ft    Maximum Calculated Value = 15.74. Fc



# DHFS MOTION SENSOR

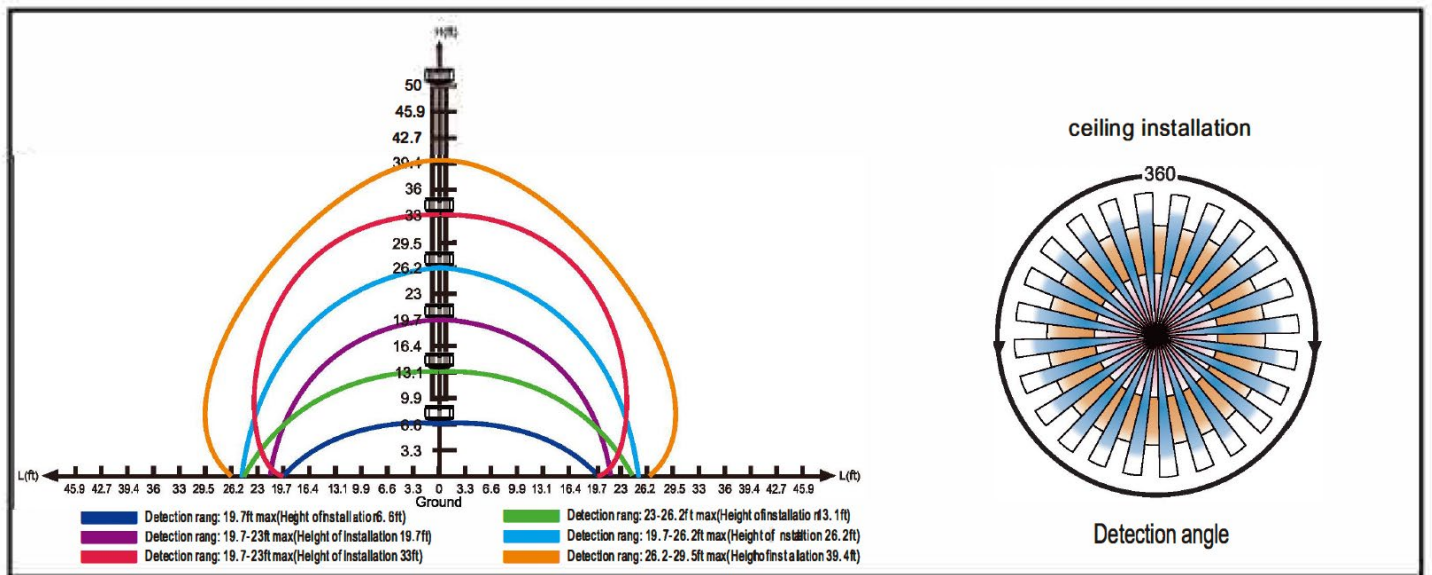
Dimming High Frequency Motion Sensor is factory installed and comes with the following default settings.



DEFAULT SENSOR SETTINGS					
BRIGHTNESS	SENSITIVITY	HOLD TIME	DAYLIGHT SENSOR	STAND-BY DIM	STAND-BY TIME
100%	100%	1 minute	Disabled	DIM: 30%	60 minutes

DHFS SENSOR SPECIFICATIONS	
INPUT	12V DC
HF SYSTEM	5.8 GHZ± 75MHZ
DIM CONTROL OUTPUT	0-10V, MAX. 25MA SINKING CURRENT
DETECTION RADIUS/ANGLE	MAX 26FT.(8M) 360°
MOUNTING HEIGHT	MAX 40FT
REMOTE RANGE	50FT. (15M) INDOOR, NO BACKLIGHT
HUMIDITY	MAX. 95% RH
TEMPERATURE	-40° F - 104° F (-40° C - 40° C)

## SENSOR COVERAGE



## ORDERING GUIDE:

RCL1S	LED70A45	B	VK		DIM	
Fixture	Wattage	Voltage	Color Temp.	Finish	Dimming	Controls
RGL1S	LED70A45	B - 120-277V	VK - Color Selectable (3000K/4000K/5000K)	BRZ - Bronze* CC - Custom Color	DIM - 0-10V Dimming	Blank DHFS - Dimming High Frequency Sensor

\*Standard Configuration

STOCK CODE	DESCRIPTION
052610	RCL1S-LED70A45-B-VK-BRZ-DIM

### ORDERING GUIDE FOR ACCESSORIES

Options Sold Separately  
Check the items that you wish to order:

052267 - RC-100 MOTION SENSOR REMOTE CONTROL

Note: Please order atleast one RC 100 remote control when DHFS is ordered.