



FL1V-LED16

120 Volt Economy LED Flood Light



Yoke Mount

IDEAL APPLICATIONS

- Patios
- Landscapes
- Facades

DESCRIPTION:

FLV-LED Series are economy flood lights in 120 Volts ideal for lighting patios, landscapes and other floodlighting applications.

FEATURES:

- Die cast aluminum housing.
- Semi Frosted polycarbonate lens.
- Wide beam optics 7H X 7V beam standard.
- Integral 2KV surge protection built into the driver.
- Replaces 150 watt Quartz.
- Available as a knuckle or yoke mount.
- Bronze finish.

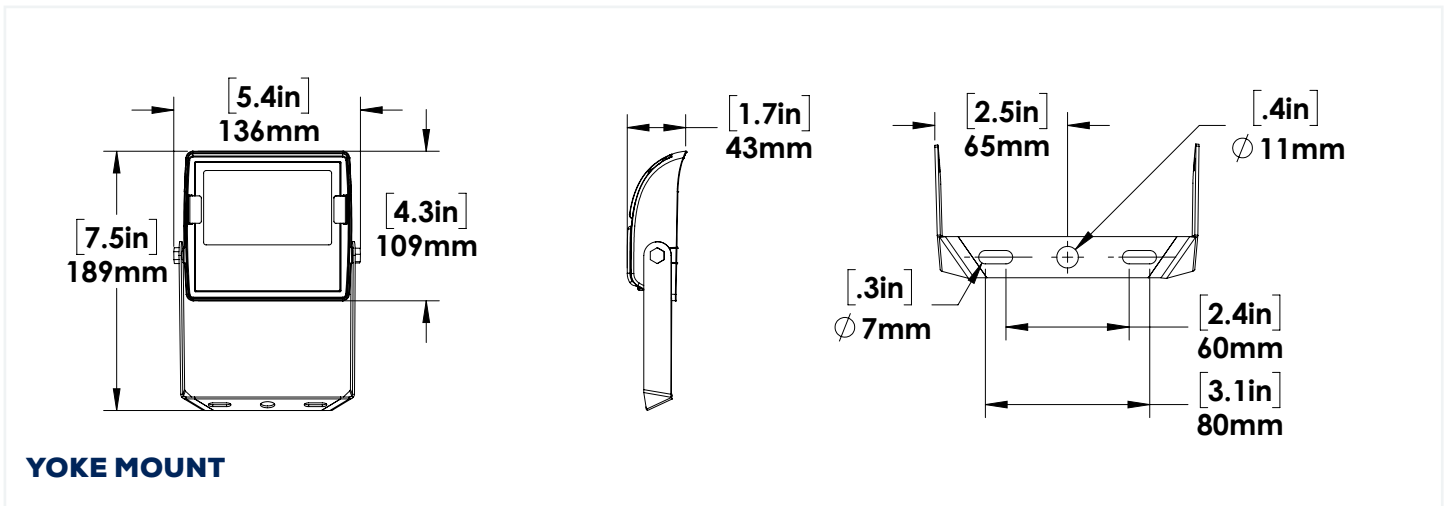
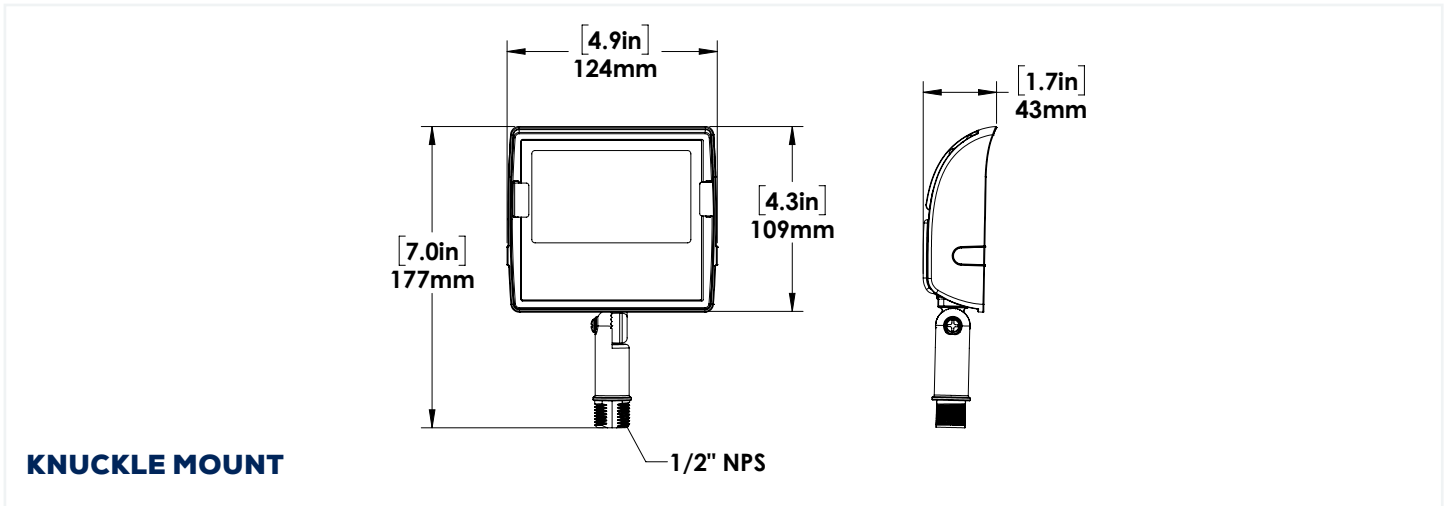
SPECIFICATIONS

FL1V-LED16

Tested Wattage	14.95W
Tested Lumens	1402.8 Lm
Efficacy	93.85 Lm/W
Voltage	120V
CCT	4000K, 5000K
CRI	72
THD	14.5%
Power Factor	0.988
Beam Distribution	NEMA 7H x 7V
LED Life (L78)	100,000 hours
Housing Finish	Bronze
Housing Details	Die Cast Aluminum
Lens Details	Semi Frosted Polycarbonate
Mounting	Knuckle, Yoke
Cable Length	Yoke - 0.5m of Cabtire Cable (SJTW 3 x 18AWG) Knuckle - 0.15m of Supply Wires
Operating Temp.	-40°C to +40°C (-40°F to 104°F)
Certifications	UL, Wet Location, IP65, 3 Year Warranty



DIMENSIONS:



AMPERAGE DRAW & SURGE PROTECTION

	CURRENT (A)	SURGE PROTECTION (kV)
	120V	120V
FL1V-LED	0.14A	2kV

TM-21 ESTIMATED LUMEN MAINTENANCE

	50,000 Hours	75,000 Hours	100,000 Hours
FL1V-LED	88.6%	83.2%	78.1%

EPA (ft²)

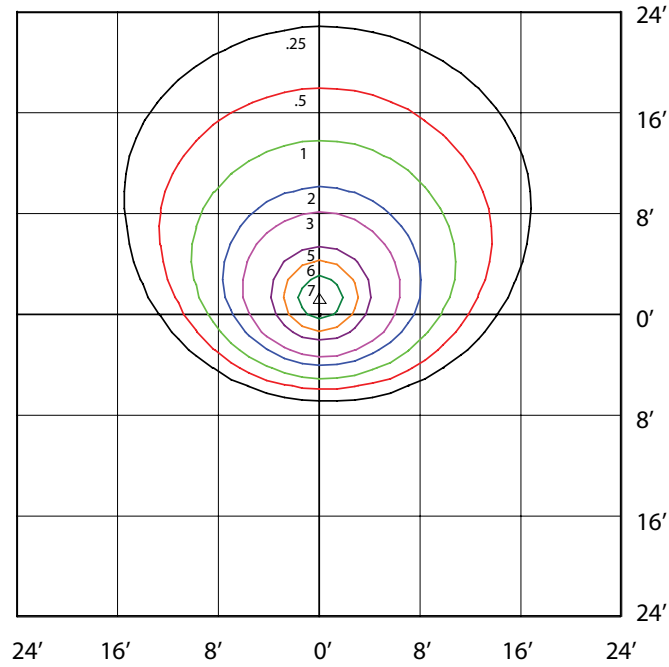
	0° Tilt	45° Tilt	90° Tilt
FL1V-LED	0.10	0.16	0.22

WEIGHT (lbs)

FL1V-LED	0.75
----------	------

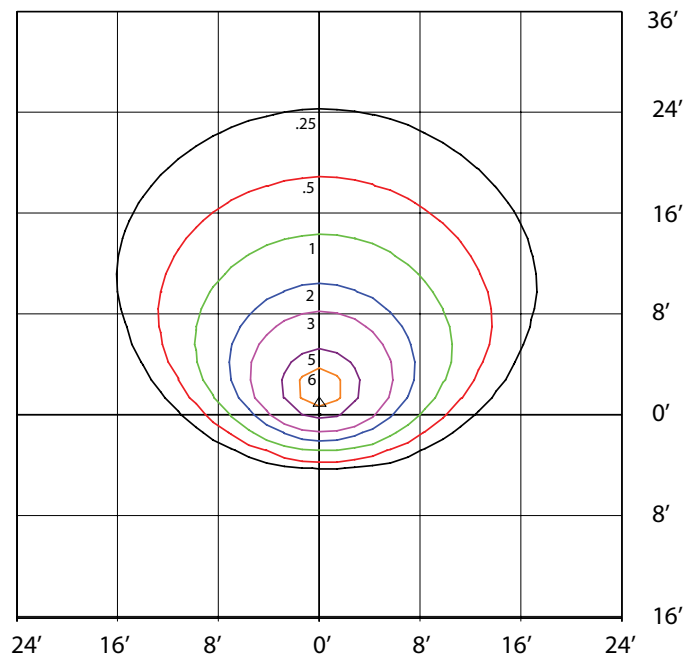
FL1V-LED16-A-4K-BRZ-KN
MOUNTED AT 8 FEET 30 DEGREE TILT

Total Lumens = 1382 Mounting Height = 8 Ft Maximum Calculated Value = 7.74 Fc



FL1V-LED16-A-4K-BRZ-KN
MOUNTED AT 8 FEET 45 DEGREE TILT

Total Lumens = 1382 Mounting Height = 8 Ft Maximum Calculated Value = 6.54 Fc



ORDERING GUIDE:

FL1V	LED16	A		BRZ	
Fixture	Wattage	Voltage	Colour Temp.	Finish	Mounting
	LED16	A - 120V	4K - 4000K 5K - 5000K	BRZ - Bronze	KN - Knuckle YK - Yoke

STOCK CODE	DESCRIPTION
052622	FL1V-LED16-A-4K-BRZ-KN
052623	FL1V-LED16-A-5K-BRZ-KN
052624	FL1V-LED16-A-4K-BRZ-YK
052625	FL1V-LED16-A-5K-BRZ-YK