

INSTALLATION INSTRUCTIONS



ELECTRICAL SHOCK HAZARD

READ, UNDERSTAND, and FOLLOW these instructions before installing the equipment.

WARNING

Disconnect the Electrical supply power at the service panel (fuse or circuit breaker box). Failure to do so could result in serious injury or death. Only qualified electricians should install this fixture and the installation MUST conform to the Electrical Code and all local codes and ordinances. Ensure that only proper tools, materials, and equipment are used to complete the installation.

SAFETY

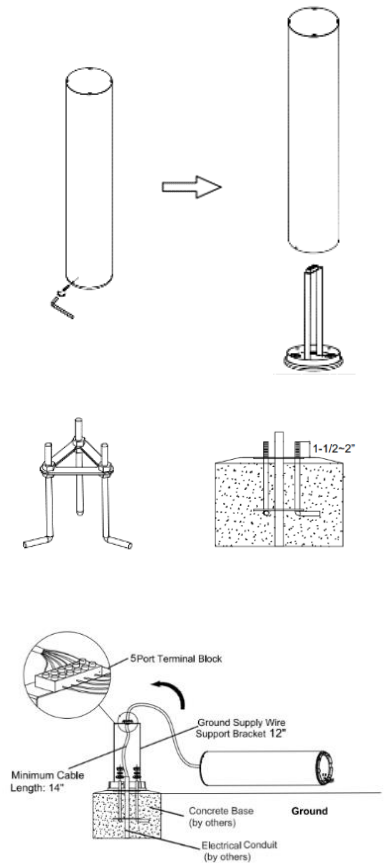
- Proper grounding is required to ensure personal safety.
- Fixture should be mounted in locations where unauthorized personnel will not readily subject it to tampering.
- Do not use this equipment for anything other than its intended purpose.
- Servicing this equipment should be performed by qualified service personnel.
- Save these instructions.
- This equipment has been tested and found to comply with the limits for a Class B digital device, pursuant to part 15 of the FCC Rules. These limits are designed to provide reasonable protection against harmful interference in a residential installation. This equipment generates, uses and can radiate radio frequency energy and, if not installed and used in accordance with the instructions, may cause harmful interference to radio communications.
- Changes or modifications to this unit not expressly approved by the party responsible for compliance Could void the user authority to operate the equipment.
- **MIN 90 °C SUPPLY CONDUCTOR**

INSTALLATION

Tools Required: Adjustable Wrench

Surface Mount

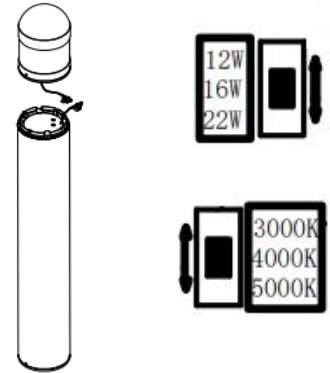
1. Separate the bollard shaft and the base by loosening the screws at the bottom using provided Allen key.
2. Assemble the anchor bolt carrier and place the anchor bolts in concrete by having at least 1-1/2 ~2" protruding from concrete with threads free and clear of debris and dirt.
3. Place bollard base over anchor bolts and tighten nuts to secure the base.
4. Make wire connection as per wiring diagram at the 5 Port Terminal Block on the support bracket.
5. Reattach the bollard shaft to the base and tighten the set screws.



INSTALLATION INSTRUCTIONS

CCT Select and Power Select:

1. Separate the bollard head and the shaft by loosening the set screws using provided Allen key
2. Select the desired CCT and Power by adjusting the DIP switches. The CCT selectable switch can be set to 3000K, 4000K, and 5000K CCT. The power select can be set to 12W,16W and 22W. The default settings are 22W and 5000K.
3. Reattach the bollard head and shaft by tight the set screws.



WIRING

- Check that the line voltage is correct.
- Connect fixture **GROUND** (green) wire to power supply **GROUND** (green) wire.
- Connect fixture **WHITE** wire to power supply **NEUTRAL** wire.
- Connect fixture **BLACK** wire to power supply **LINE** wire.
- The fixture includes 0-10V dimming functionality, connect **GREY** or **PINK** and **VIOLET** wires to a 0-10V dimming controller (optional).

