



SBL6D-LED

Round Bollard, Dome Top Design



IDEAL APPLICATIONS

- Condos
- Campuses
- Townhouses
- Office Buildings
- Pathways
- Shopping Malls

DESCRIPTION:

Field adjustable bollards with CCT and lumen select options in an elegant, round, dome top design. These bollards are ideal for pathway lighting in commercial and residential applications such as condos, townhouses, office buildings, university campuses, shopping malls, and more.

FEATURES:

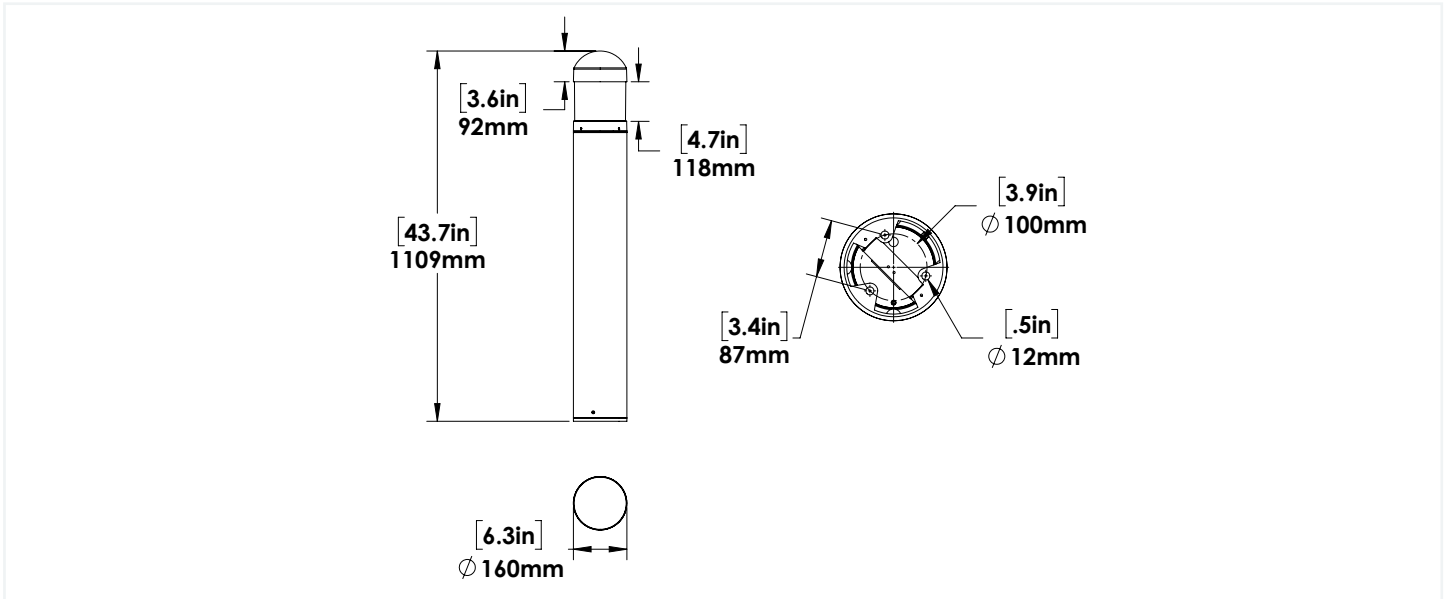
- CCT Select luminaire that allows the Installer to choose between 3000K/4000K/5000K at the time of installation.
- Lumen adjustable bollard with options for 2900 lumens at 22W, 2000 lumens at 16W, or 1500 lumens at 12W.
- Robust construction with extruded aluminum shaft, cast aluminum head and base.
- Corrosion resistant powder coating. Salt Spray tested for 1000 hours.
- Polycarbonate lens with UV inhibitors to prevent yellowing from the sun.
- Anchor bolts and template included.
- IK08 rated to withstand mechanical impact.

| SPECIFICATIONS | SBL6D-LED |
|--------------------------|--|
| Tested Wattage (Maximum) | 21.24 W |
| Tested Lumens (Maximum) | 2923.85 Lm |
| Efficacy | 137.66 Lm/W |
| Voltage | 120-277V |
| CCT | Variable Kelvin (3000K/4000K/5000K) |
| CRI | 86.8 |
| Dimming | 0-10V Dim (5% to 100%) |
| THD (%) | 8.01% |
| Power Factor | 0.994 |
| Surge Suppression | 2kV |
| Beam Distribution | Type V - 360 Degree |
| LED Life (L76) | 100,000 hours |
| Housing Finish | Bronze |
| Housing Details | Extruded aluminum shaft, Cast aluminum head and base |
| Lens Details | Clear Polycarbonate |
| Mounting | Surface mount |
| Height | 43.7" |
| Operating Temp. | -40°C to +40°C (-40°F to 104°F) |
| Certifications | UL, Wet Location, IP65, IK08 DLC Premium |

Specs shown are maximum wattage, 4000K CCT at 120V



DIMENSIONS:



AMPERAGE DRAW & SURGE PROTECTION

| | CURRENT (A) | | | | SURGE PROTECTION (kV) |
|-----------|-------------|-------|------|-------|-----------------------|
| | 120V | 208V | 240V | 277V | 120-277V |
| SBL6D-LED | 0.19A | 0.11A | 0.1A | 0.09A | 2kV |

LUMEN ADJUSTABLE SETTINGS

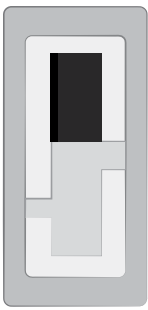
| | | | |
|-------------|------|------|------|
| Power (W) | 22 | 16 | 12 |
| Lumens (lm) | 2923 | 2000 | 1500 |

TM-21 ESTIMATED LUMEN MAINTENANCE

| | 50,000 Hours | 75,000 Hours | 100,000 Hours |
|-----------|--------------|--------------|---------------|
| SBL6D-LED | 87.1% | 81.3% | 75.9% |

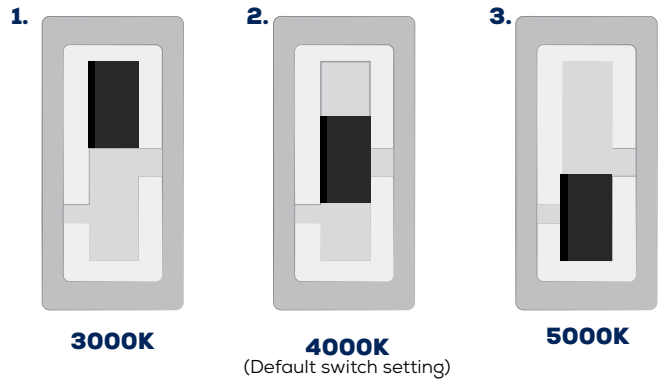
Life hours are derived from IESNA LM-80 testing report and projected per IESNA TM-21 calculations.

CCT SELECTABLE SWITCH



- 1.** 3000K
- 2.** 4000K
- 3.** 5000K

The switch is located inside of the fixture.



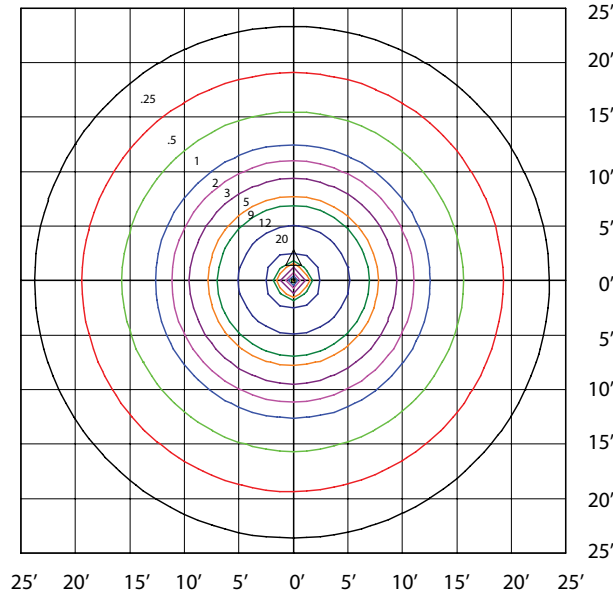
Easily change the colour temperature with the flip of a switch.

- 1.** TOP position = 5000K
- 2.** MIDDLE position = 4000K
- 3.** BOTTOM position = 3000K

SBL6D-LED22A12-B-VK-T5-BRZ-DIM
22 WATTS 4000K

Total Lumens = 3022

Maximum Calculated Value = 24.29 Fc



ORDERING GUIDE:

| | | | | | | |
|----------------|-----------------|----------------|--|---------------|---------------|---------------------|
| SBL6D | LED22A12 | B | VK | T5 | BRZ | DIM |
| Fixture | Wattage | Voltage | Colour Temp. | Optics | Finish | Dimming |
| | LED22A12 | B - 120-277V | VK - Colour Selectable (3000K/4000K/5000K) | T5-360 Degree | BRZ - Bronze | DIM - 0-10V Dimming |

Note: Anchor bolt set of 3 and template included in package

| STOCK CODE | DESCRIPTION |
|------------|--------------------------------|
| 052547 | SBL6D-LED22A12-B-VK-T5-BRZ-DIM |