



DVBKSX-LED14

Wall Mount LED Vaporproof



IDEAL APPLICATIONS

- Entrances
- Stairways
- Elevator Shafts
- Restaurants
- Tunnels
- Service Areas

DESCRIPTION:

The DVBKSX-LED14 is a versatile fixture that can be used in industrial and architectural applications. The fixture is available in custom colors and has a variety of globe and guard accessories.

FEATURES:

- Sleek, modern look with the same ruggedness as the original DVBKS fixture.
- 10 minute retrofit. Retrofits to existing 4" round/octagon boxes.
- Polycarbonate lens can be easily replaced with glass globe and guard to provide a different look.
- Precision die cast aluminum housing with powder coat paint finish for industrial and architectural applications.
- Grey polyester powder coat paint finish for protection against oxidization
- Five 1/2" NPS conduit entries.

Note: Not for use in hazardous locations.

SPECIFICATIONS*	DVBKSX-LED14
Watts	13.6W
Lumens	1644 Lm
Efficacy	120.5 Lm/W
Voltage	120-277V
Replaces Up To	100W Incandescent / 36W CFL Vaporproof Fixture
Color Temp	5000K, 4000K, 3000K
Dimming	0-10V Dim to Off
PF	0.96
CRI	83
LED Life (L70)	>54000 Hours
Temperature Rating	+40°C max ambient
Housing Material	Aluminum
Lens	Frosted Polycarbonate Lens
Mounting	Wall Mount
Certifications	ETL, DLC 5.1

*Tested Values for 120V, 5000K



ACCESSORIES

RDA Lighting carries a diverse line of durable and cost efficient glass globes. They come in various finishes, which include impregnated colors.

GLASS GLOBES OPTIONS (SOLD SEPARATELY)



GL100
CLEAR GLASS



GL100HR
HEAT RESISTANT



GL100RIB
RIBBED GLASS



GL100SB
SANDBLASTED



RGL100A
AMBER



RGL100B
BLUE



RGL100G
GREEN



RGL100R
RED

GD100CGS CAST GUARD (SOLD SEPARATELY)



FEATURES

- Heavy duty raw/painted cast guard for use with RDA Lighting Vaporproof fixtures.
- Machined threads for smooth fit to RDA Lighting fixtures.
- Set screw to lock guard securely to fixture.



DVBKSX-LED14 shown with GD100CGS Cast Guard and GL100SB Sandblasted Globe.

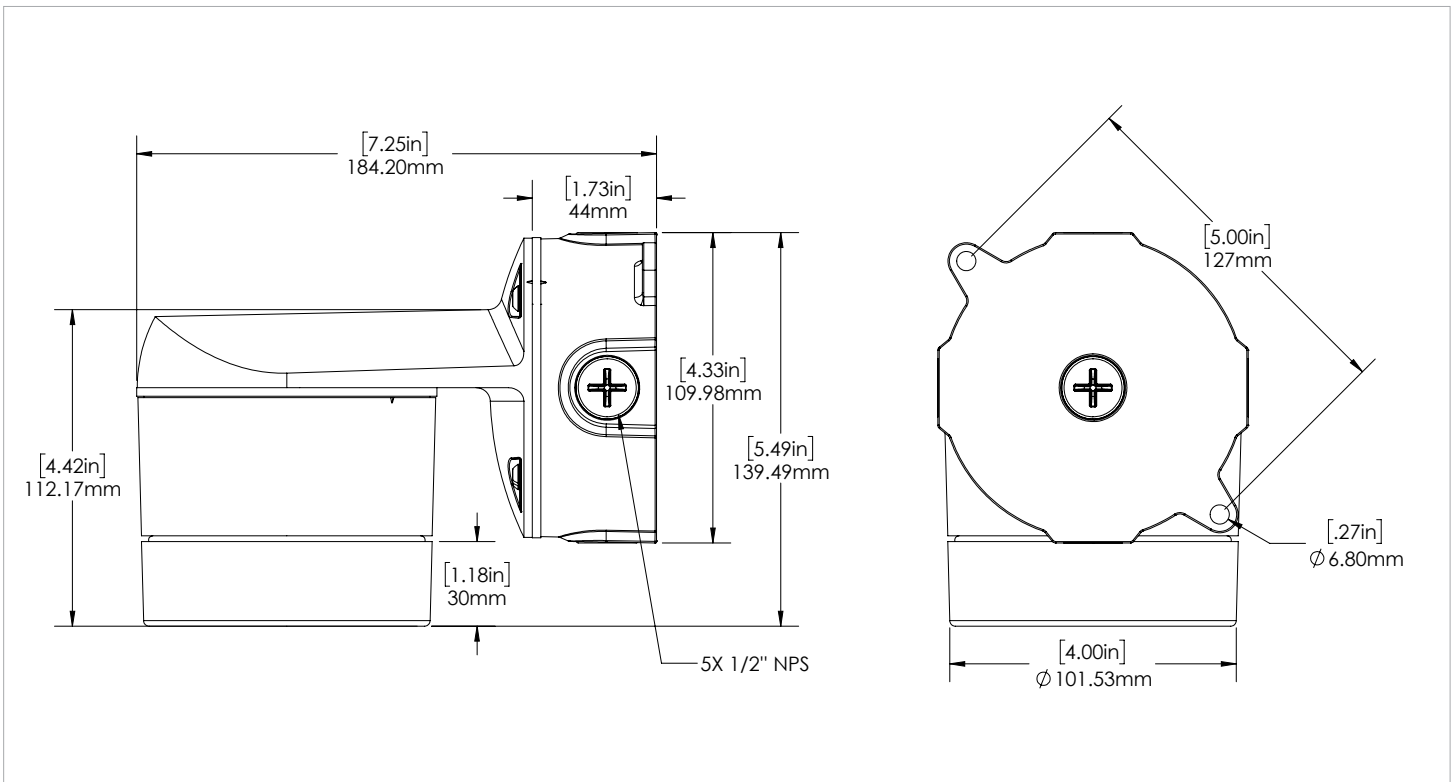
SPECIFICATIONS

Model Number	Voltage (V)	Power (W)	Light Output (lm)	Efficacy (lm/W)	THD (%)	PF	CCT (K)	B-U-G
DVBKSX-LED14-B-3K-DGY-DIM-FR-WM	120-277	13.51	1590	117.7	11.3	0.95	3000	84
DVBKSX-LED14-B-4K-DGY-DIM-FR-WM	120-277	13.58	1617	119.1	10.2	0.96	4000	84

LEGEND

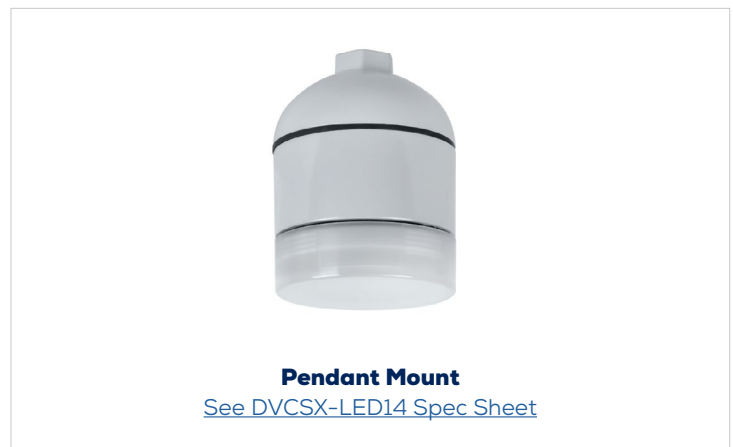
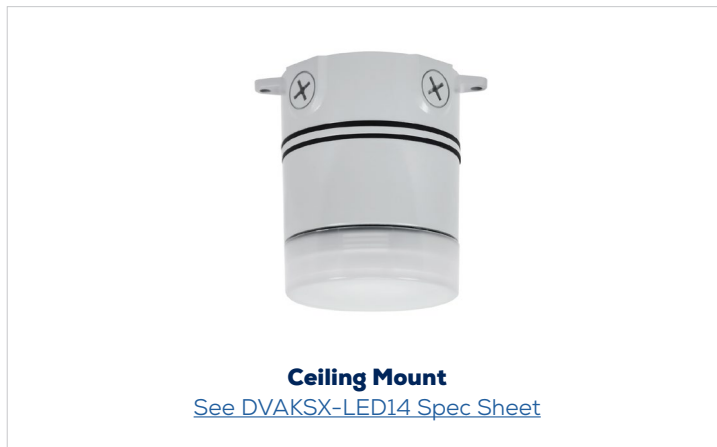
B- 120-277V
 3K - 3000K, 4K-4000K
 DGY - Dove Gray
 DIM - 0-10V Dimming
 FR - Frosted Lens
 WM - Wall Mount

DIMENSIONS



MOUNTING OPTIONS

This fixture series is also available in **ceiling mount** or **pendant mount**.



ORDERING GUIDE:

Fixture	Wattage	Voltage	Color Temp.	Finish	Dimming	Lens	Mounting
DVBKSX	LED14	B - 120-277V	5K - 5000K* 4K - 4000K 3K - 3000K	DGY - Dove Grey* CC - Custom Colors	DIM - 0-10V Dimming	FR - Frosted Lens	WM - Wall Mount

* Standard Configuration

FIELD INSTALLED ACCESSORIES:

CHECK THE ACCESSORIES YOU WISH TO ORDER:



Cast Guard - Raw
Finish GD100CGS



Cast Guard - Dove Gray
Finish GD100CGS-DGY



GL100
Clear Glass



GL100HR
Heat Resistant



GL100RIB
Ribbed Glass



GL100SB
Sandblasted



RGL100A
Amber



RGL100B
Blue



RGL100G
Green



RGL100R
Red