



## DVBKS2-LED26

Vaporproof Fixture



### IDEAL APPLICATIONS

- Industrial Applications
- Service Areas
- Architectural Applications
- Entrances

### DESCRIPTION:

The DVBKS2 is the 26W energy efficient LED vapourproof fixture that can be used for industrial and architectural applications. This series of fixtures comprises the DVAKS2-LED which can be ceiling mounted, the DVBKS2-LED which can be wall mounted and the DVCS2-LED which can be pendant mounted.

### FEATURES:

#### Construction

- Precision die cast aluminum housing with durable chip and natural aluminum finish. Highly efficient heat sink design maintains the junction temperature significantly below the recommended maximum ratings ensuring extended fixture life. Frosted lens is standard. The fixture is rated IP66 and suitable for outdoor use.

#### Electrical

- Total system wattage of the unit is 26W. The standard unit has a high efficiency driver that operates at 120 - 277V.

#### LED Configuration

- The DVBKS2-LED has an LED array that has a lumen output of 3000 lumens. The LEDs have a standard colour temperature of 5000K. 3000K or 4000K available as options. The LEDs have a CRI of greater than 72 and an operating temperature range of -40°C to +40°C.

#### Finish

- Standard finish is Natural aluminum.

#### Accessories

- Various Globe and Guard Accessories sold separately

### SPECIFICATIONS

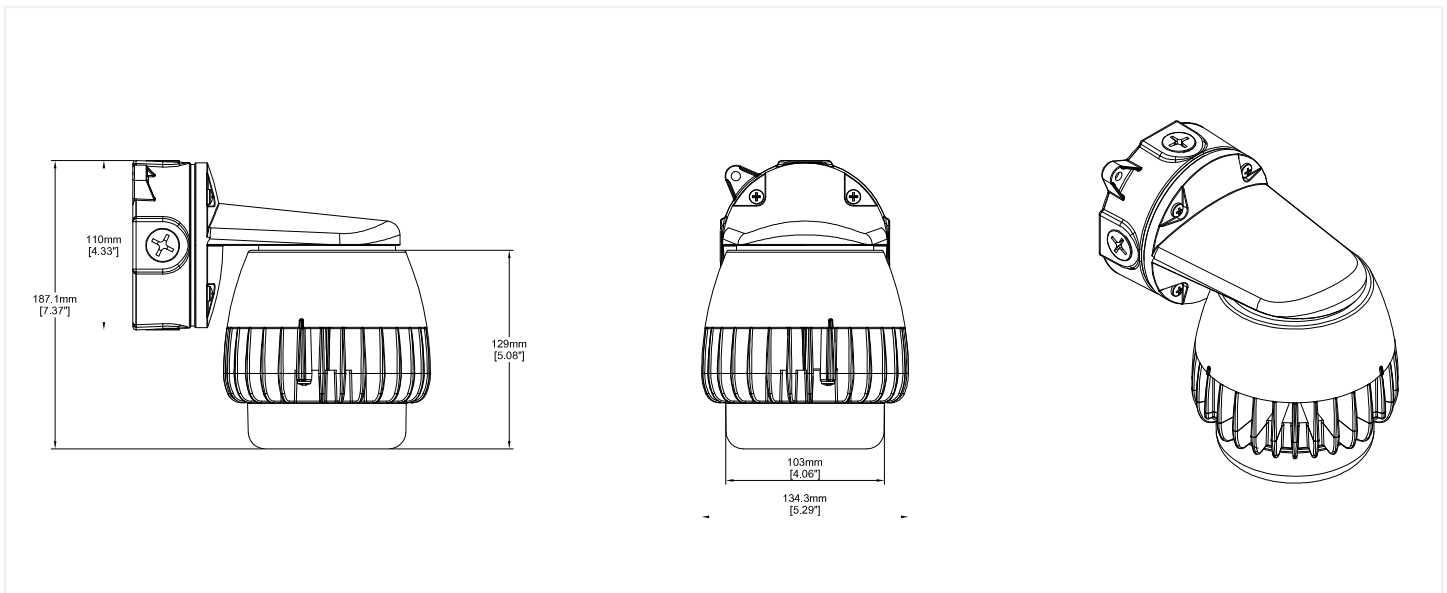
#### DVBKS2-LED26

Watts	25.73W
Lumens	3008lm
Efficacy	116.91lm/W
Voltage	120-277V
CCT	3000K,4000K,5000K*
CRI	72.2
Dimming	0-10V Dim to OFF
THD	9.16%
PF	0.9785
LED Life (L80)	>60000 hours
Housing Finish	Natural Aluminum
Housing Details	Die Cast Aluminum
Lens Details	Frosted Lens
Mounting	Wall Mount
Operating Temperature	-40°C to +40°C
Certifications Logos	Wet Locations, IP66,UL

Note: Specifications are for 5000K, 120V



## DIMENSIONS:



## OTHER MOUNTING OPTIONS:



**DVCS2-LED**  
Pendant mount



**DVAKS2-LED**  
Ceiling mount

## AVAILABLE OPTIONS:



## ORDERING GUIDE:

DVBKS2	LED26	B		NAT	DIM	FR	WM
Fixture	Wattage	Voltage	Color Temp.	Finish	Dimming	Lens	Mounting
	LED26	B - 120-277V	3K - 3000K 4K - 4000K 5K -5000K*	NAT - Natural Aluminum	DIM - 0-10V Dimming	FR - Frosted Lens	WM - Wall Mount

### FIELD INSTALLED ACCESSORIES:

CHECK THE ACCESSORIES YOU WISH TO ORDER:

