



RFL4V-LED

Performance Light LED



Slipfitter



Yoke

(Mounting Sold Separately)

IDEAL APPLICATIONS

- Facades
- Monuments
- Flood Lighting
- Sign Lighting

DESCRIPTION:

Ruggedly designed, high performance, versatile flood lights with a range of options for mounting (knuckle or yoke), beam distributions (NEMA 6X6 or NEMA 4X4), colour temperatures (5K or 4K or 3K), paint finish and more.

FEATURES:

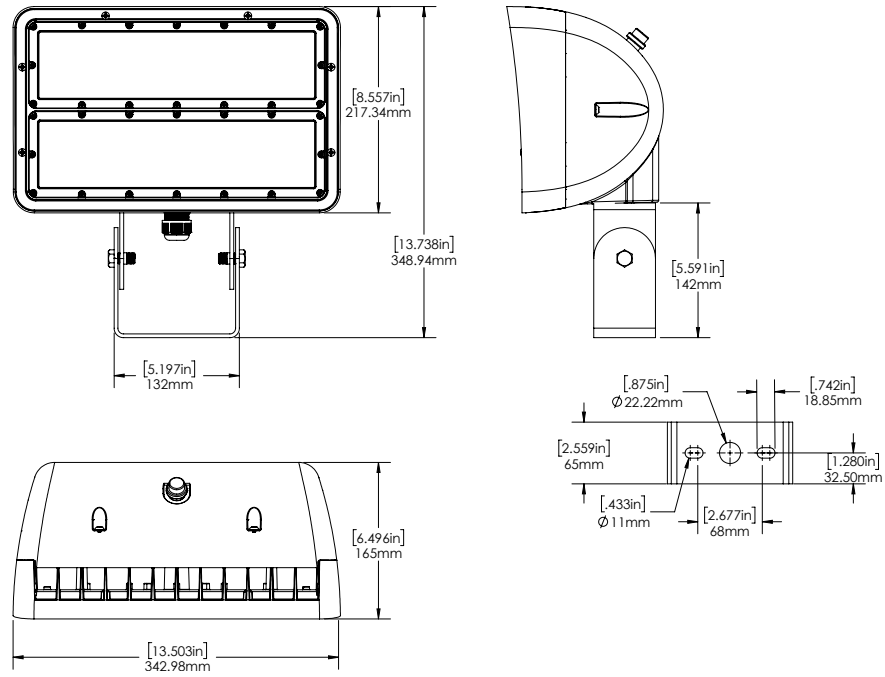
- Die cast aluminum with powder coat paint finish and clear polycarbonate lens
- Bronze finish is standard and custom paint options available.
- Available in two beam distributions. Wide beam (NEMA 6X6) for general flood for applications requiring a large and uniform light pattern or Narrow beam (NEMA 4X4) for accenting monuments and facades.
- Yoke Mount or Slip fitter (For 2 3/8" Tenon) options available.
- Mounting option of choice to be purchased separately and can be custom painted.
- Wire Guard and Visor accessories are optional.
- Photocell included as a standard option, can be deactivated by covering with the cap provided.

SPECIFICATIONS	RFL4V-LED120	RFL4V-LED150
Watts	118.7W	151W
Lumens	17013 lm	22128 lm
Efficacy	143.33 lm/W	147 lm/W
Voltage	120-277V*, 480V	
CCT	3000K/4000K/5000K*	
CRI	72.4	
Dimming	0-10V Dim to Off	
THD	9.68%	12.27%
PF	0.99	
Beam Distribution	Wide (NEMA 6x6)*, Narrow (NEMA 4x4)	
LED Life (L80)	>72000 hours	
Housing Finish	Bronze*, Custom Colors	
Housing Details	Die Cast Aluminum	
Lens Details	Clear Polycarbonate Lens	
Operating Temp.	-40°C to +40°C (-40°F to 104°F)	
Cable Length	1m Cab Tire Cable (STW 5x18 AWG)	
Mounting	Yoke, Slipfitter	
Factory Installed Options	10kV Surge Suppressor	
Options Sold Separately	Yoke, Slipfitter, Wire Guard, Visor	
Certifications Logos	UL, Wet Locations, IP65, DLC Premium	

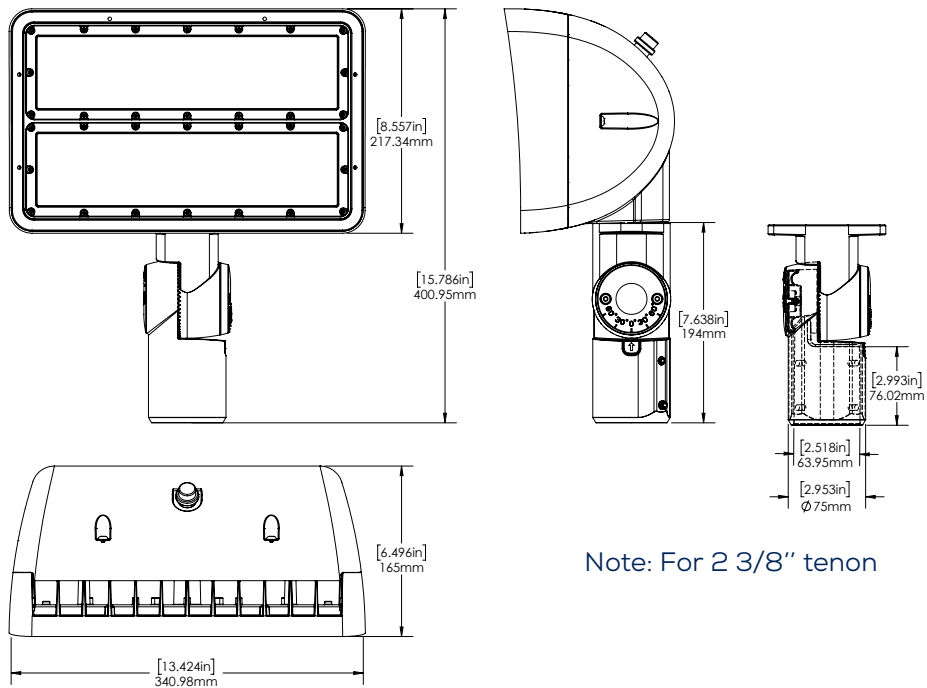
Note: Specs shown are for 120-277V/5000K
*Standard Configuration



DIMENSIONS:



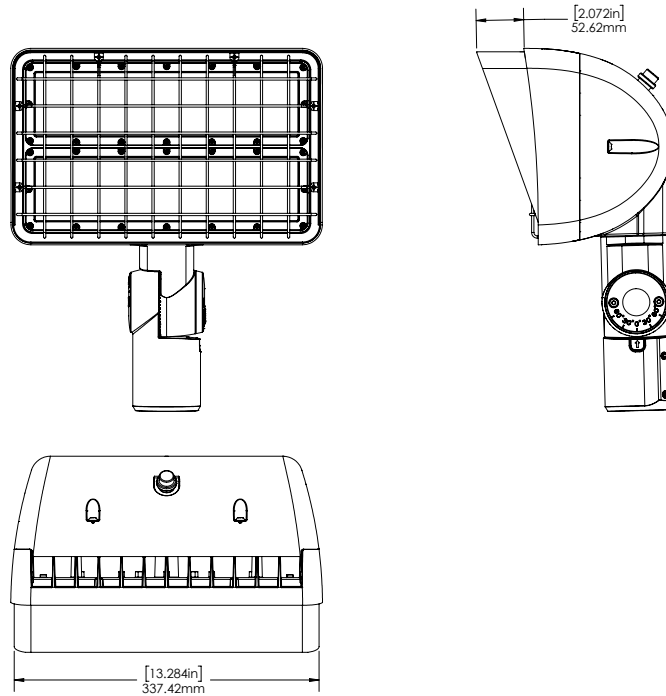
Yoke Mount



Note: For 2 3/8" tenon

Slipfitter

DIMENSIONS:



Slipfitter with Wire Guard & Visor

ACCESSORIES:



Note: Hardware for installation included in package
Visor and wire guard can be used together

AMPERAGE DRAW & SURGE PROTECTION

	CURRENT (A)					INTERNAL SURGE PROTECTION (kV)	
	120V	208V	240V	277V	480V	120-277V	480V
RFL4V-LED	1.33A	0.77A	0.67A	0.58A	0.34A	6kV	6kV

TM-21 ESTIMATED LUMEN MAINTENANCE

	50,000 Hours	75,000 Hours	100,000 Hours
RFL4V-LED	87.2%	81.2%	75.6%

Life hours are derived from IESNA LM-80 testing report and projected per IESNA TM-21 calculations.

EPA (ft²)

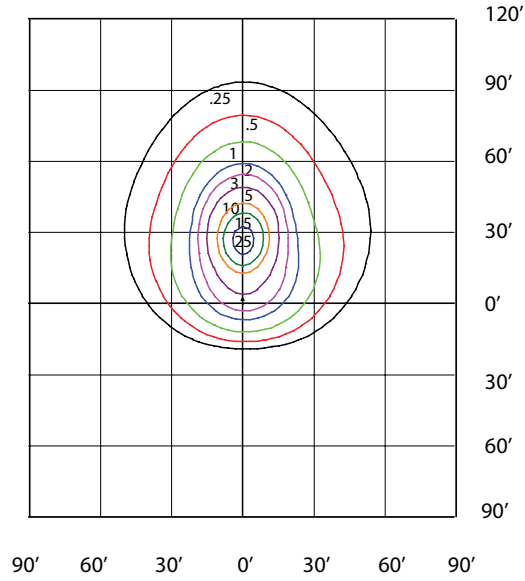
	0° Tilt	45° Tilt	90° Tilt
RFL4V-LED	0.797	1.065	1.255

WEIGHTS (lbs)

RFL4V-LED	11.55
-----------	-------

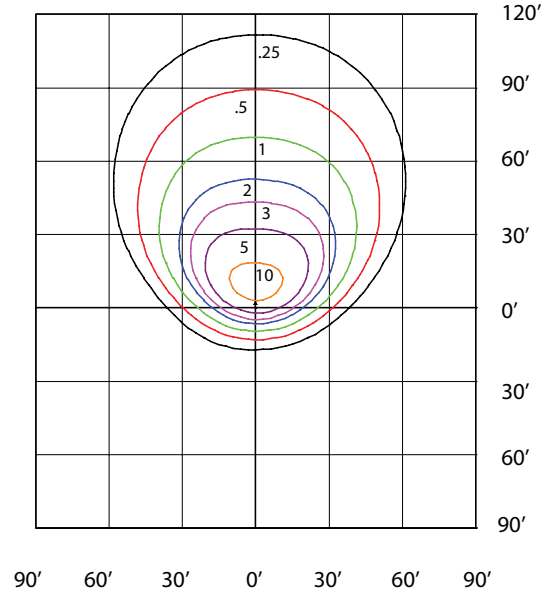
RFL4V-LED120-B-5K-N-BRZ-DIM-PC
MOUNTED AT 24 FEET

Lumens 16741 Maximum Calculated Value 32.16 Fc



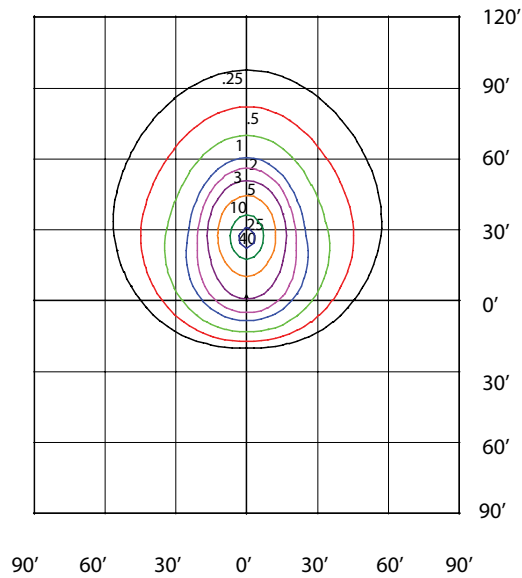
RFL4V-LED120-B-5K-W-BRZ-DIM-PC
MOUNTED AT 24 FEET

Lumens 17019 Maximum Calculated Value 13.20 Fc



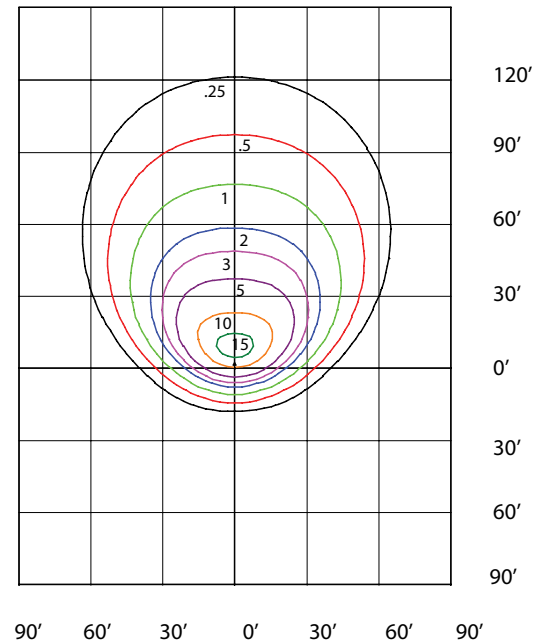
RFL4V-LED150-B-5K-N-BRZ-DIM-PC
MOUNTED AT 24 FEET

Lumens 21761 Maximum Calculated Value 46.61 Fc



RFL4V-LED150-B-5K-W-BRZ-DIM-PC
MOUNTED AT 24 FEET

Lumens 22135 Maximum Calculated Value 17.21 Fc



ORDERING GUIDE:

RFL4V						DIM		PC
Fixture	Wattage	Voltage	Color Temp.	Optics	Finish	Dimming	Controls	Surge Protection
	LED120	B- 120-277V*	3K - 3000K	N - 4x4	BRZ - Bronze*	DIM - 0-10V Dimming	PC - Photocell**	Blank
	LED150	L -480V	4K - 4000K 5K - 5000K*	W - 6x6*	CC - Custom Color			SP10 - 10kV Surge Protection

* Standard Configuration

** Only available with 120-277V

Note: Fixture comes with photocontrol covered with cap. Remove cap to activate photocell.

Ordering Guide For Accessories

Check the items that you wish to order:

- 052575 RFL4V YOKE MOUNT BRZ
- 052576 RFL3V/RFL4V SLIP FIT MOUNT BRZ
- 052580 RFL4V WIRE GUARD
- 052584 RFL4V VISOR BRZ